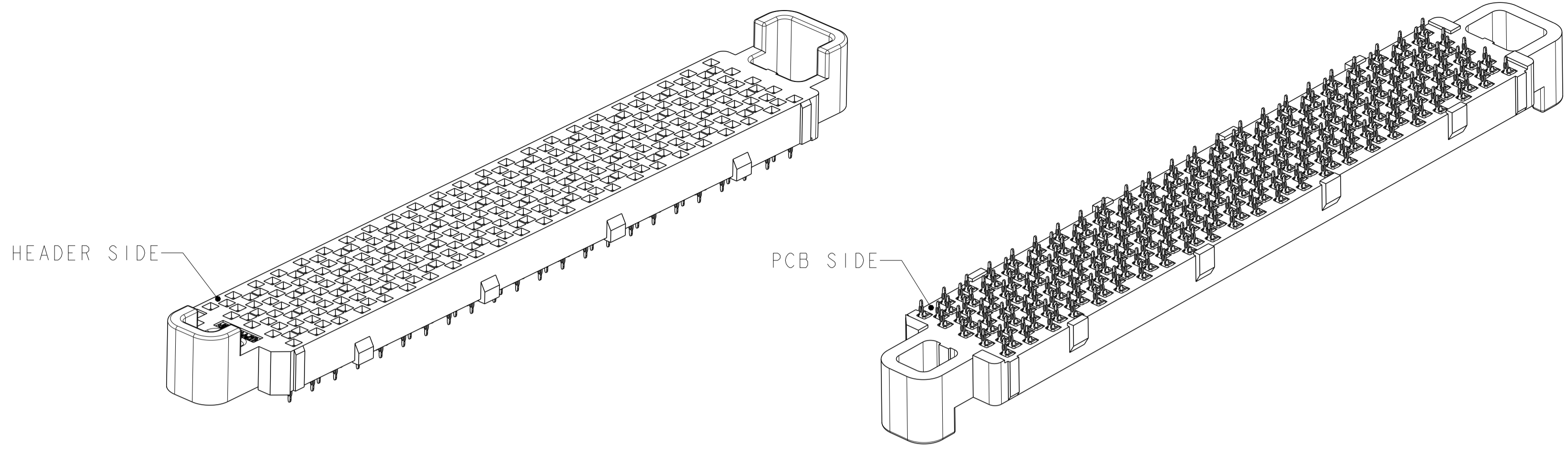
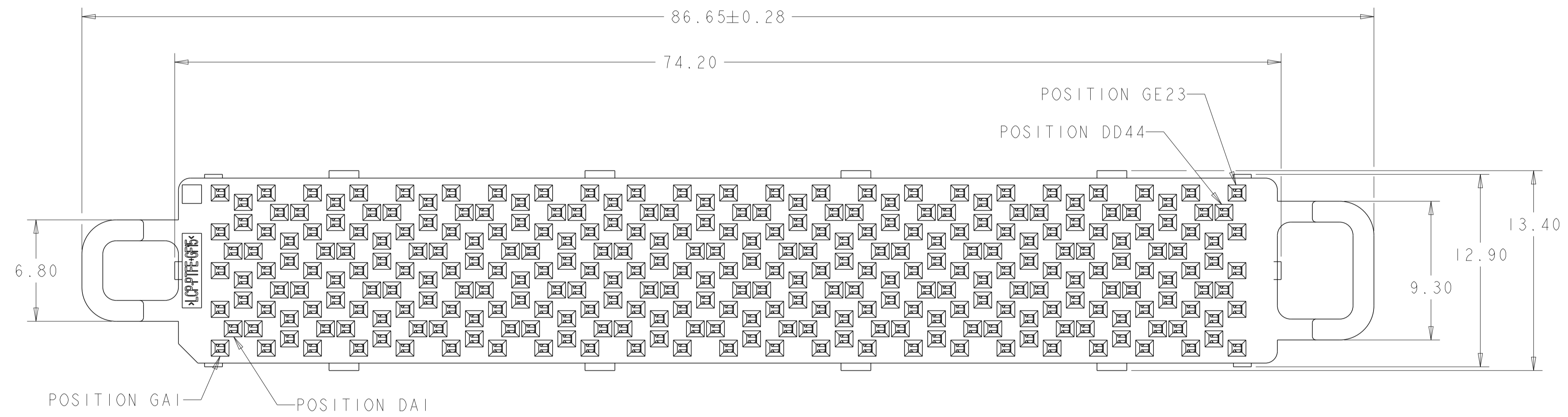


LOC	DIST	REVISIONS					
GP	00	P	LYR	DESCRIPTION	DATE	DWN	APVD
		A		REVISED PER ECO-12-018201	11OCT2012	KH	MH

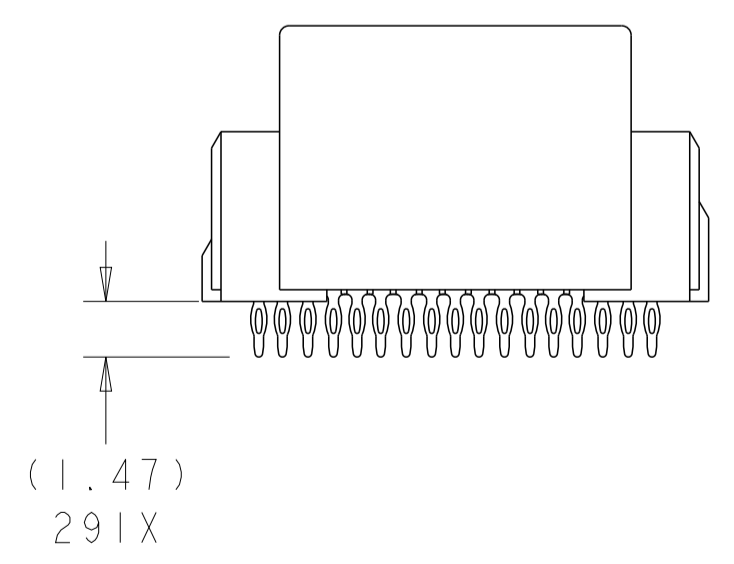
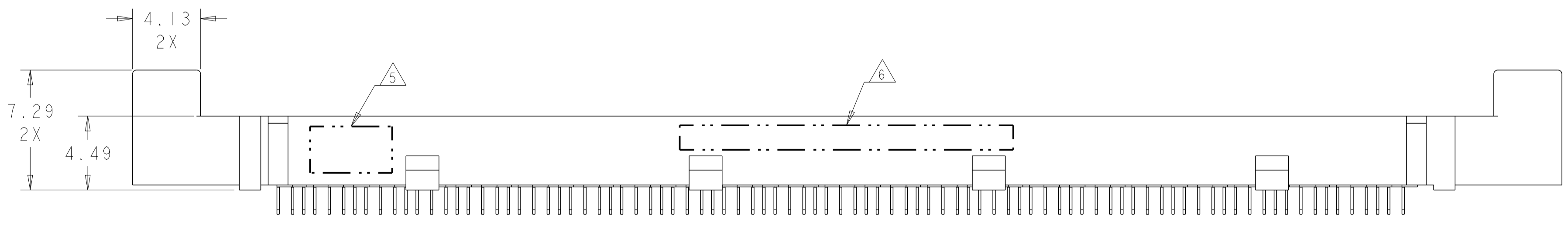


- 1 MATERIAL:  
HOUSING: THERMOPLASTIC, FLAMMABILITY RATING UL94 V-0  
CONTACT: COPPER ALLOY
- 2. CONFORMS TO THE REQUIREMENTS OF TE PRODUCT SPECIFICATION, 108-2375; BASED ON TELCORDIA GR-1217-CORE FOR SYSTEM QUALITY LEVEL III, APPLICATIONS IN CONTROLLED ENVIRONMENTS (CENTRAL OFFICE).  
SEE TE PRODUCT SPECIFICATION 108-2375 FOR TEST SEQUENCES.
- 3 ROWS GA THRU GE (SHOWN DARKENED) ARE TYPICALLY USED AS GROUNDS.
- 4 SPECIFIED POSITIONAL TOLERANCE DEFINES HOLE TO HOLE LOCATION WITHIN HOLE PATTERN. POSITIONAL TOLERANCE OF HOLE PATTERN TO FIDUCIAL MARKS OR PCB DATUMS SHALL BE DEFINED BY CUSTOMER.
- 5 AREA RESERVED FOR TE CONNECTIVITY LOGO.
- 6 AREA RESERVED FOR PART NUMBER (X-XXXXXXX-X) AND DATE CODE (YYWW).
- 7 USE CENTERLINES INDICATED ON PCB HOLE PATTERN TO ESTABLISH ALIGNMENT BETWEEN HEADER AND RECEPTACLE BOARDS.
- 8 PLATED THROUGH HOLE REQUIREMENTS:  
HOLE SIZE PRIOR TO PLATING =  $\varnothing 0.420 \pm 0.013$   
COPPER PLATING THICKNESS =  $0.038 \pm 0.013$   
CALCULATED FINISHED HOLE SIZE =  $\varnothing 0.344 \pm 0.039$   
THESE DIMENSIONS APPLY TO THE TOP 1.25mm OF THE PCB THICKNESS FROM THE CONNECTOR MOUNTING SIDE.



**SIZE 3 HALF-WIDE W/GUIDE POSTS \*  
88 DIFFERENTIAL PAIRS + GROUNDS  
291 TOTAL SIGNAL CONTACTS**

\* SIZE 1 AND SIZE 2 ARE ALSO AVAILABLE

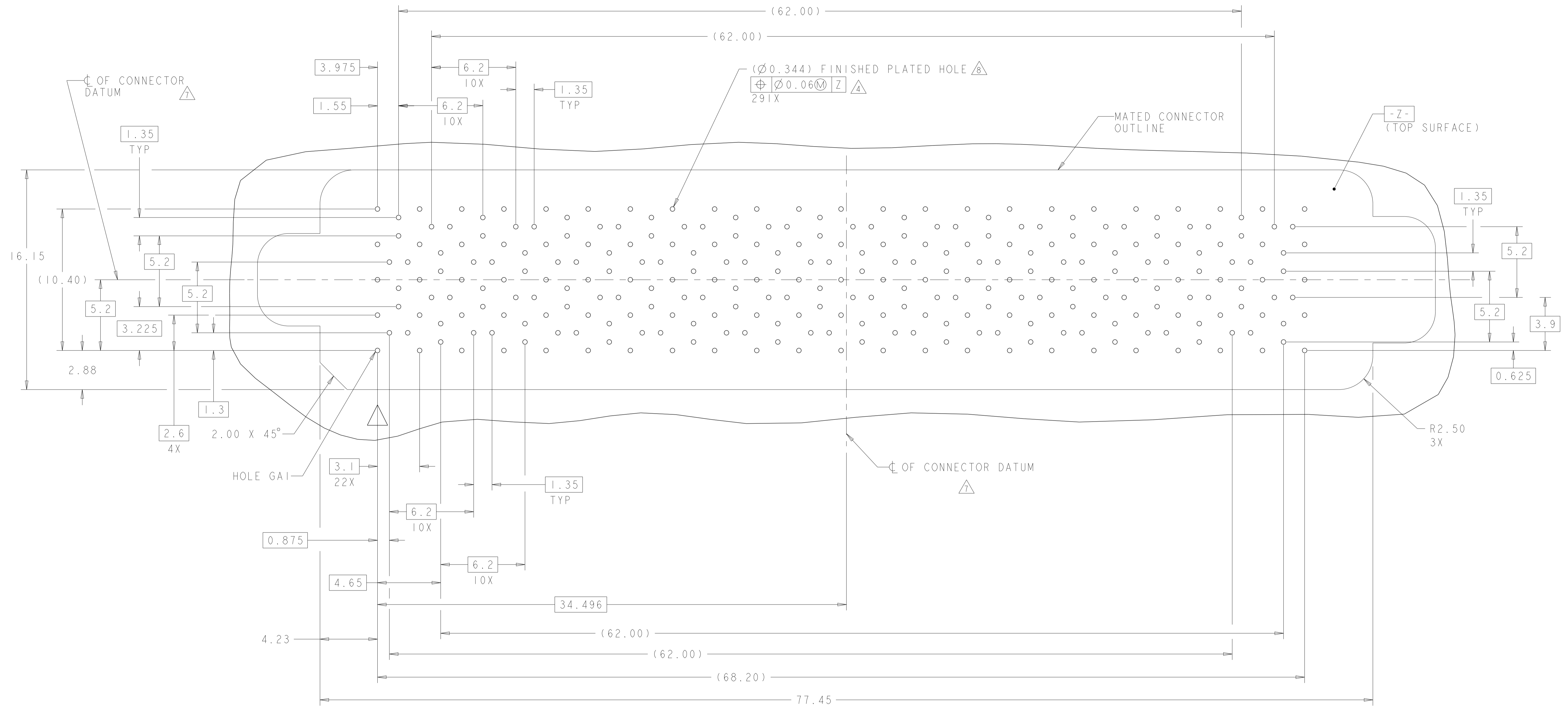


YES	MATTE Sn Sn/Pb	5-2149791-1 2149791-1
TOOLED	CONTACT TAIL PLATING	PART NUMBER
<b>TE</b> TE Connectivity		
NAME RECEPTACLE ASSEMBLY, HALF-WIDE, 88/291, STRADA MESA MEZZANINE CONNECTOR		
SIZE	CAGE CODE	DRAWING NO
A1	00779	2149791
CUSTOMER DRAWING		SCALE 6:1 SHEET 1 OF 3 REV A

THIS DRAWING IS A CONTROLLED DOCUMENT.		DWN HAMNER 31AUG2010
DIMENSIONS:		CHK D. TROUT 29SEP2010
mm	TOLERANCES UNLESS OTHERWISE SPECIFIED:	APVD J. FEDDER 29SEP2010
	0 PLC ±	PRODUCT SPEC
	1 PLC ±	108-2375
	2 PLC ±0.13	APPLICATION SPEC
	3 PLC ±0.013	114-13249
	4 PLC ±	WEIGHT
	ANGLES ±	
MATERIAL	FINISH	



LOC	DIST	REVISIONS					
GP	00	P	LYR	DESCRIPTION	DATE	OWN	APVD
-	-	-	-	SEE SHEET 1	-	-	-



**PCB HOLE PATTERN**  
 SHOWN FROM CONNECTOR SIDE  
 SCALE 7:1

THIS DRAWING IS A CONTROLLED DOCUMENT.		OWN: HAMNER 31AUG2010	TE Connectivity NAME: RECEPTACLE ASSEMBLY, HALF-WIDE, 88/291, STRADA MESA MEZZANINE CONNECTOR SIZE: A1 CAGE CODE: 114-13249 DRAWING NO: C=2149791 RESTRICTED TO: -
DIMENSIONS: mm		CHK: D. TROUT 29SEP2010	
TOLERANCES UNLESS OTHERWISE SPECIFIED: 0 PLC ±. 1 PLC ±. 2 PLC ±0.13 3 PLC ±0.013 4 PLC ±. ANGLES ±1		APVD: J. FEDDER 29SEP2010	
MATERIAL: -		PRODUCT SPEC: 108-2375 APPLICATION SPEC: 114-13249 WEIGHT: - CUSTOMER DRAWING	
SCALE: 6:1			SHEET 3 OF 3 REV A