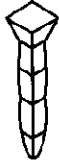


Strain Relief for Novo Receptacles

Material and Finish:
UL 94V-0 thermoplastic, color: black

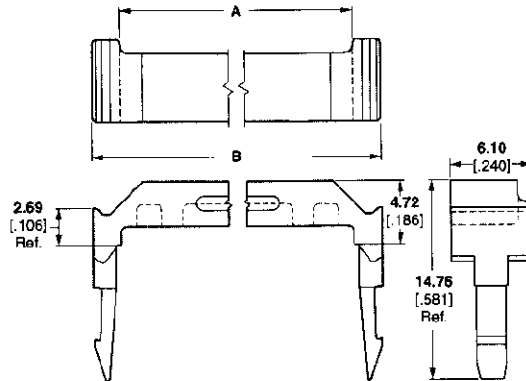
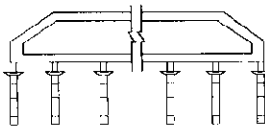
Keying Plug (for Novo Receptacles)
Part No. 499712-1

Material:
Black thermoplastic, 94V-0 rated



Key Plug
(Plugs Into Contact)

Alternate Configuration
Keying Plug Part No. 104072-1
(10 Keying Plugs per Comb)



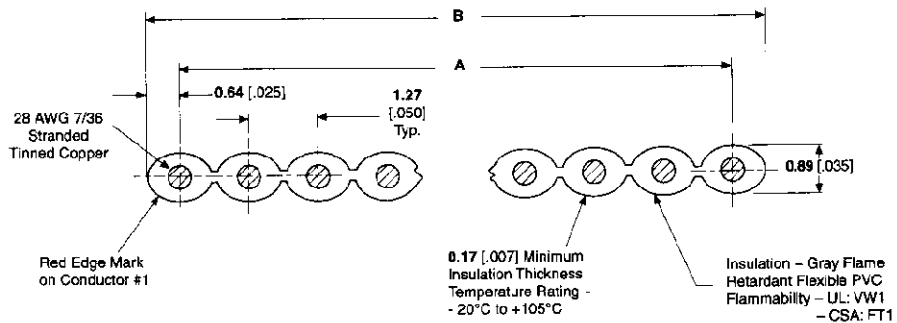
No. of Pos.	Dimensions		Strain Relief Part No.
	A	B	
10	13.21 .520	17.27 .680	499252-5
20	25.91 1.020	29.97 1.180	499252-2
30	38.61 1.520	42.67 1.680	1-499252-2
34	43.69 1.720	47.75 1.880	499252-6
40	51.31 2.020	55.37 2.180	499252-1
50	64.01 2.520	68.07 2.680	499252-4

Internal Interconnects

1.27 [.050] Centerline, IDC Ribbon Cable, PVC Insulation

28 AWG Stranded Tinned Copper

Electrical Ratings:
Voltage Rating — 300 Volts
Insulation Resistance — 10,000 Megohms/10 ft
Impedance — 105 ohms nominal (GND, SIG, GND)
Capacitance — 15 pF/ft at 1 MHz max.
Propagation Delay — 1.41 ns/ft nom.
Crosstalk — 10 ft sample 5 ns rise time
 Near End — 4.0% max.
 Far End — 6.0% max.



Cable Surface Printed per UL and CSA requirements

UL Listing: Style 2651

Recognized under the Component Program of the Underwriters Laboratories, Inc., File No. E53793



Certified by the Canadian Standards Association, File No. LR83498



No. of Conductors	Dimensions		Part Numbers	
	A	B	Length Per Reel 30.5 m [100 ft.]	152.4 m [500 ft.]
10	11.43 .450	12.70 .500	1-57040-3	1-971111-3
20	24.13 .950	25.40 1.000	57040-1	971111-1
30	36.83 1.450	38.10 1.500	2-57040-1	2-971111-1
34	41.91 1.650	43.18 1.700	57040-4	971111-4
40	49.53 1.950	50.80 2.000	57040-5	971111-5
50	62.23 2.450	63.50 2.500	57040-6	971111-6

General Internal Interconnects