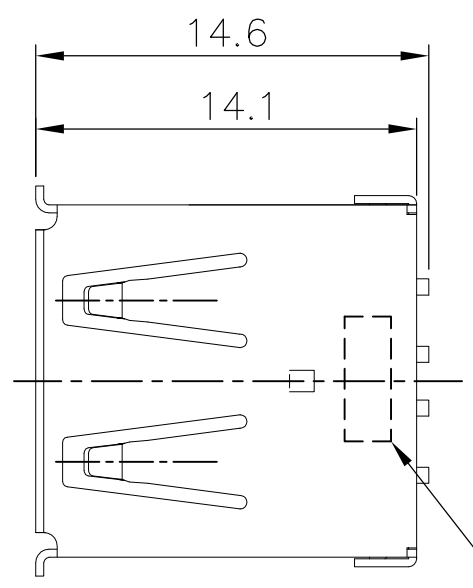


Loc DW  
 DIST

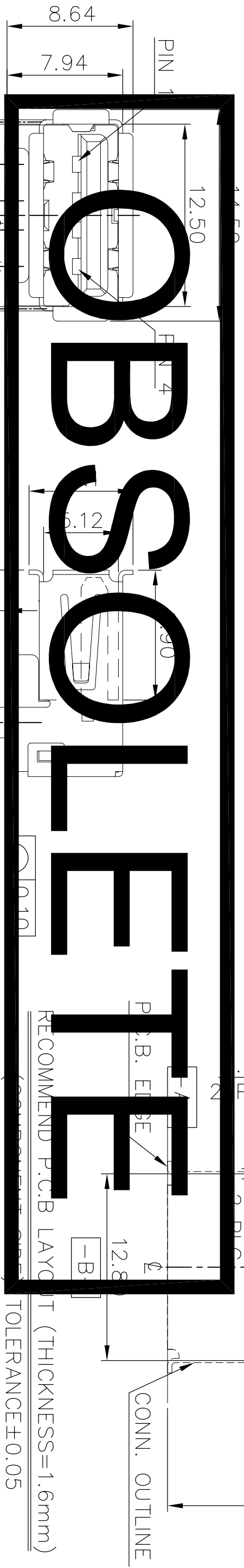
P	LTR	DESCRIPTION	DATE	DWN	APVD
		SEE SHEET 1.			

REVISIONS

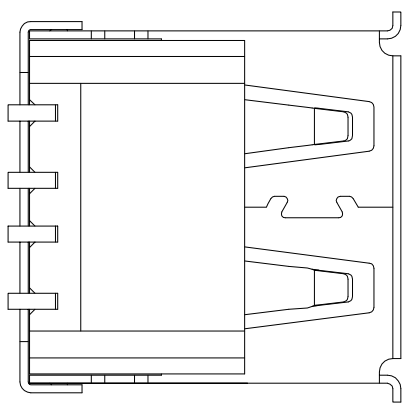
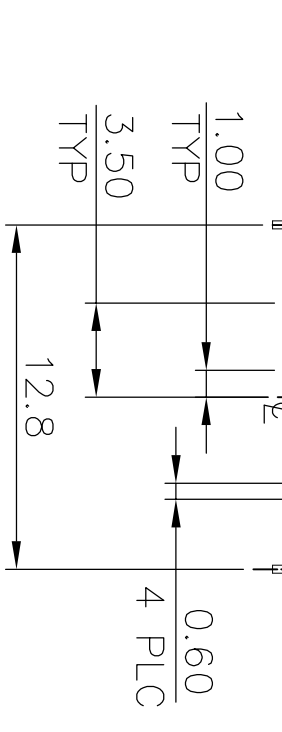
LOGO &  
 DATE CODE



- NOTES:
- MATERIAL:  
 HOUSING: THERMOPLASTIC WITH 30% GF, UL 94V-0, COLOR: BLACK.  
 CONTACTS: PHOSPHOR BRONZE, THICKNESS=0.25mm.  
 SHIELD: BRASS, THICKNESS=0.30mm.
  - FINISH:  
 CONTACT: 0.762µm [30µ"] MIN. GOLD PLATED ON CONTACT AREA.  
 3.048µm [120µ"] MIN. BRIGHT-TIN ON SOLDER TAIL, WITH ENTIRE CONTACT UNDERPLATED 1.27µm [50µ"] MIN. NICKEL.  
 SHIELD: 0.762µm [30µ"] MIN. NICKEL OVER 0.762µm [30µ"] MIN. REFLOW SOLDER CAPABLE TO 260°C PER TEST SPEC. 109-201, CONDITION B.



ALL CONTACTS  
 AND PEGGS



THIS DRAWING IS A CONTROLLED DOCUMENT.

DIMENSIONS: MM		TOLERANCES UNLESS OTHERWISE SPECIFIED:	
0 PLC	± -	DMN	CHK
1 PLC	± 0.35	APVD	PRODUCT SPEC
2 PLC	± 0.25	APPLICATION SPEC	WEIGHT
3 PLC	± 0.15	CUSTOMER DRAWING	
4 PLC	± - ± 3°		
MATERIAL	SEE NOTE	FINISH	SEE NOTE



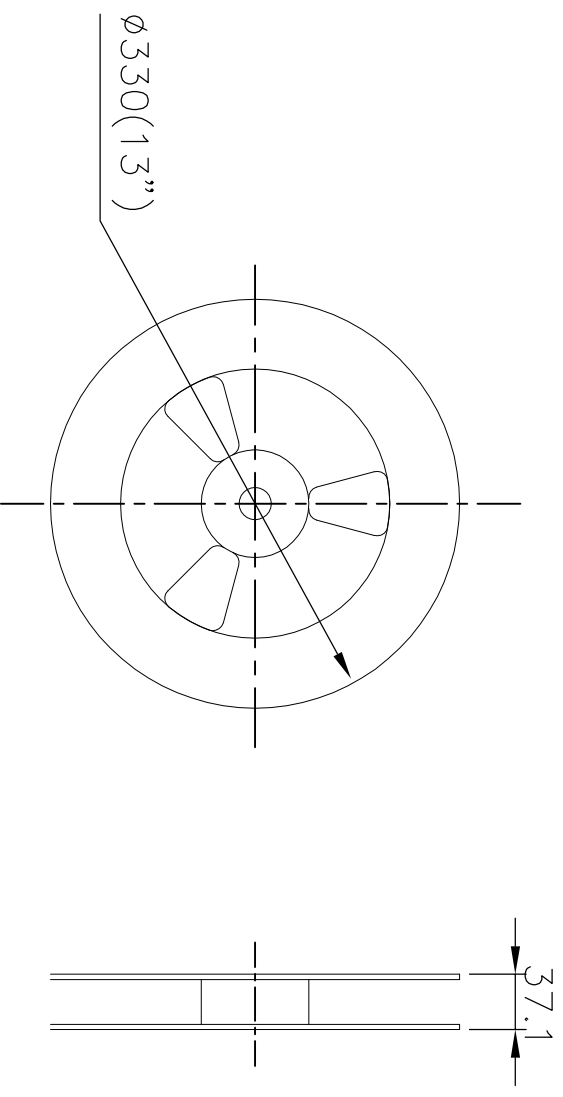
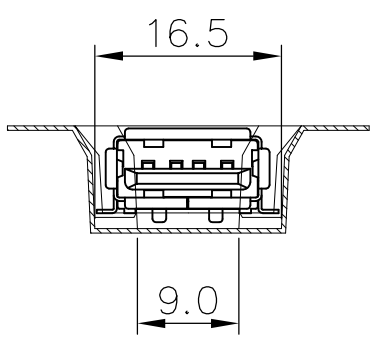
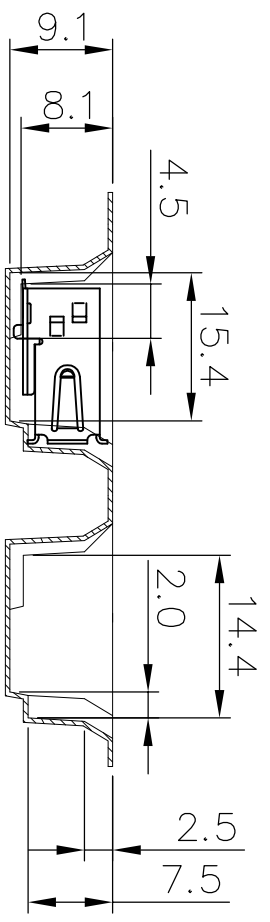
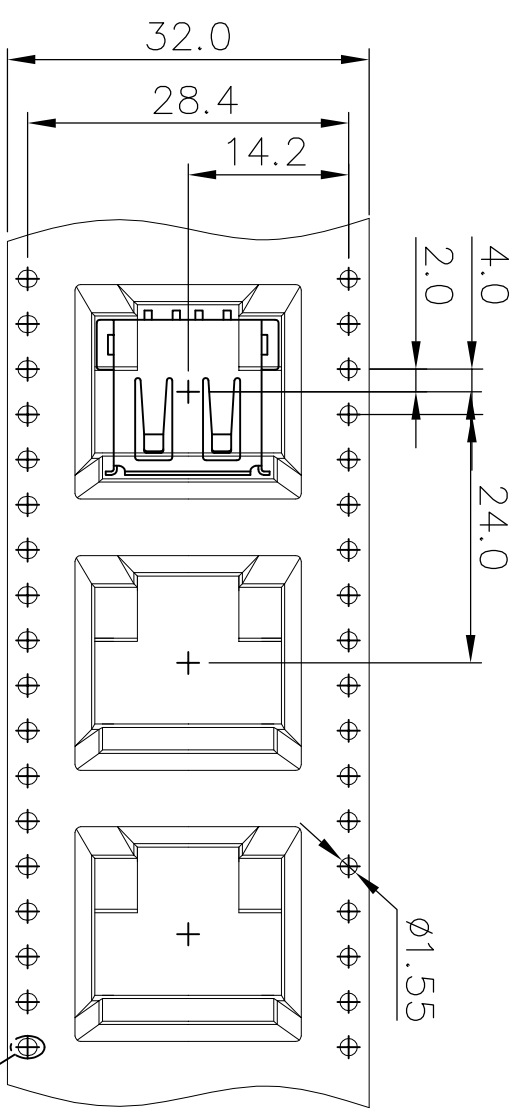
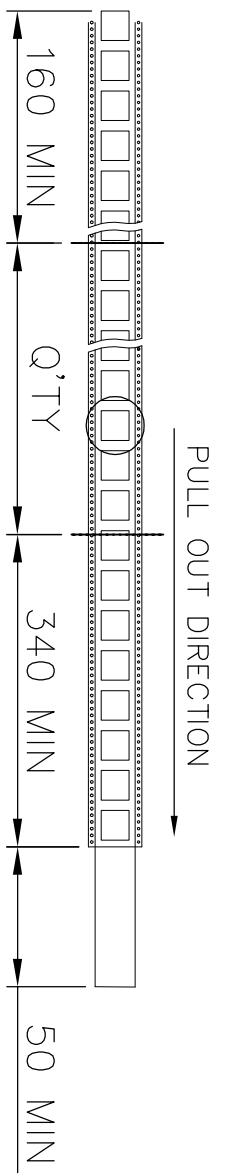
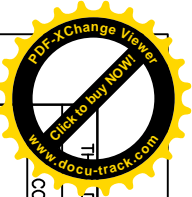
TE Connectivity

USB CON, RCPT, ASS'Y, R/A SMT, A TYPE

SIZE A3  
 CAGE CODE 00779  
 DRAWING NO G1734082

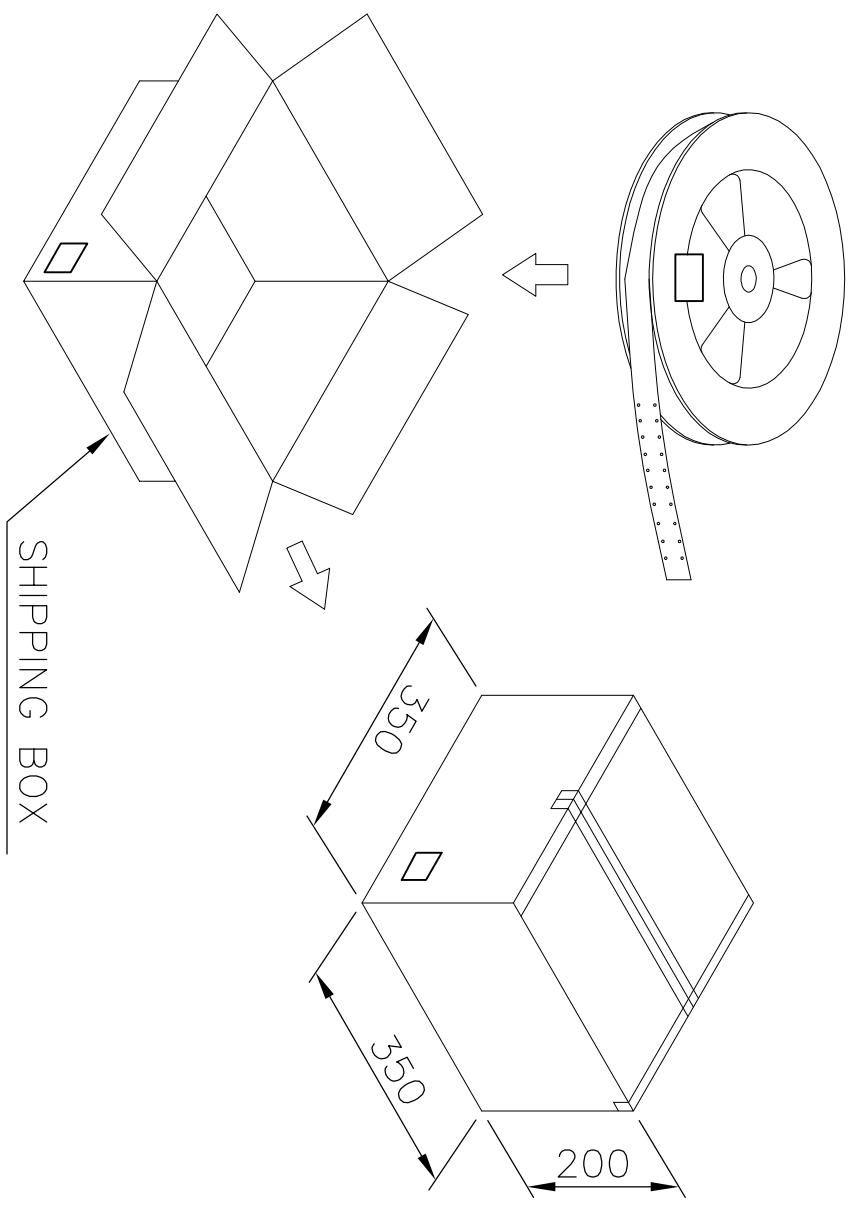
SCALE 1:1 SHEET 2 OF 4 REV B4

2-1734082-1  
 PART NUMBER



Loc	DW	DIST	
P	LTR	DESCRIPTION	DATE
		SEE SHEET 1.	

REVISIONS			



PCS / REELS / REEL	300	5	1500	5.36	2.73	1-1734082-2
						1-1734082-1
						<del>1-1734082-1</del>
						<del>1-1734082-2</del>

THIS DRAWING IS A CONTROLLED DOCUMENT.

DIMENSIONS:	MM	TOLERANCES UNLESS OTHERWISE SPECIFIED:
		0 PLC ±
		1 PLC ±
		2 PLC ±
		3 PLC ±
		4 PLC ±
		ANGLES ±

STE TE Connectivity

USB CON, RCPT, ASS'Y, R/A SMT, A TYPE

DMN	CHK	APVD	PRODUCT SPEC	APPLICATION SPEC	WEIGHT

CUSTOMER DRAWING

SIZE	CAGE CODE	DRAWING NO
A3	00779	1734082

SCALE: 1:1 SHEET 3 OF 4 REV B4

