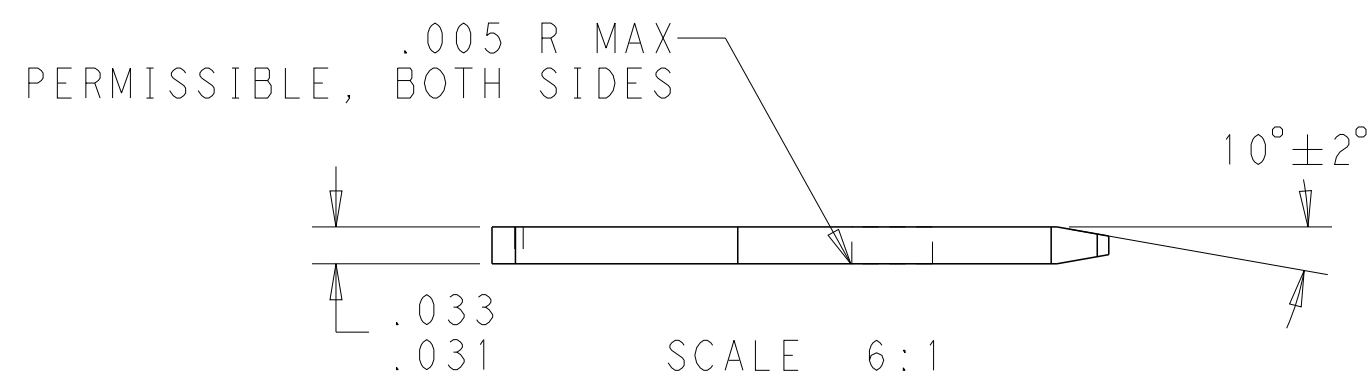
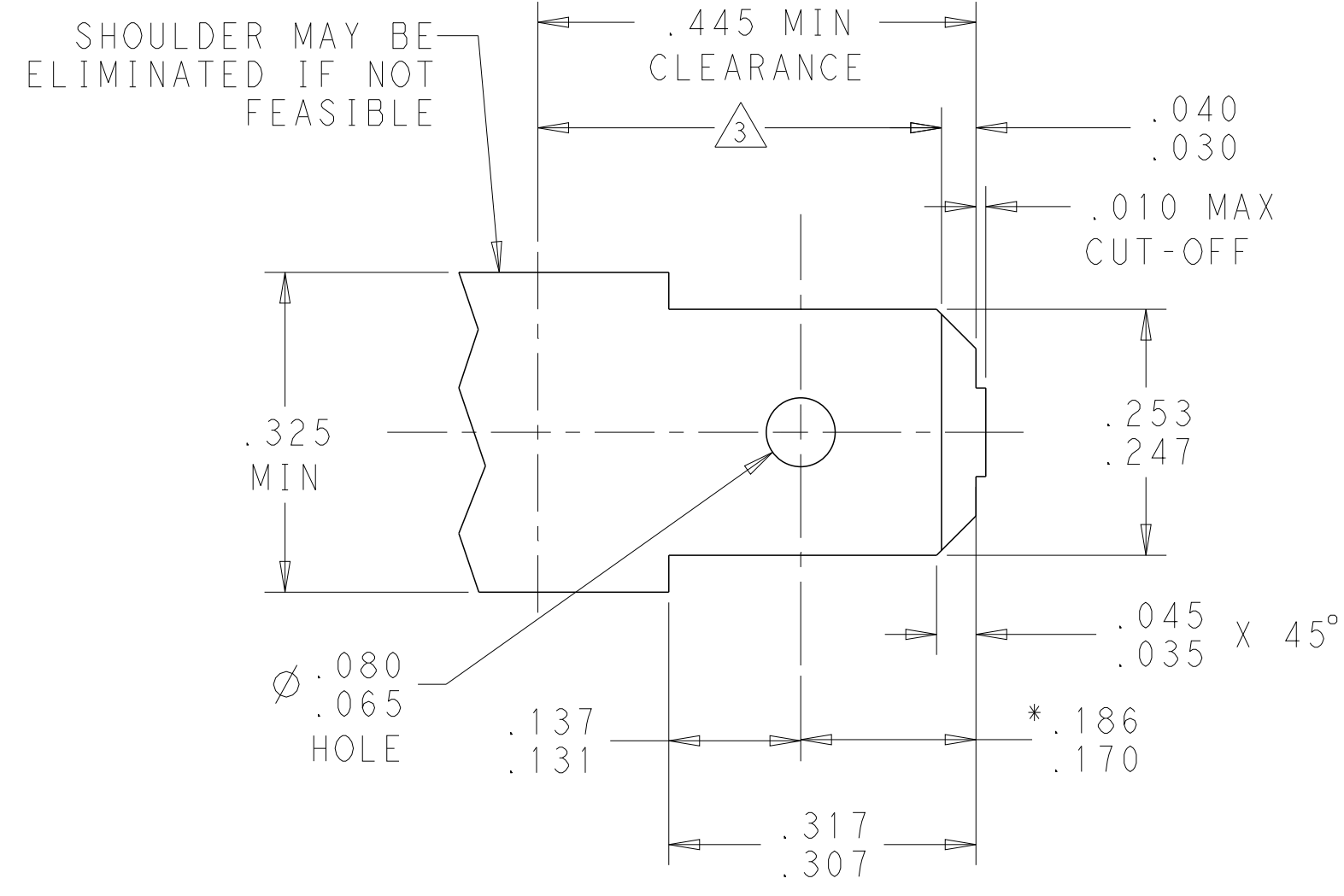
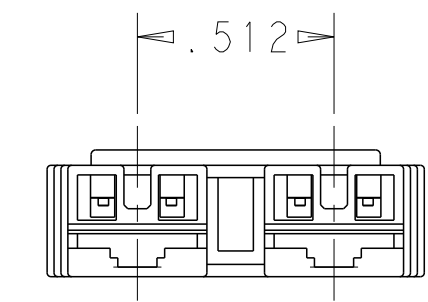
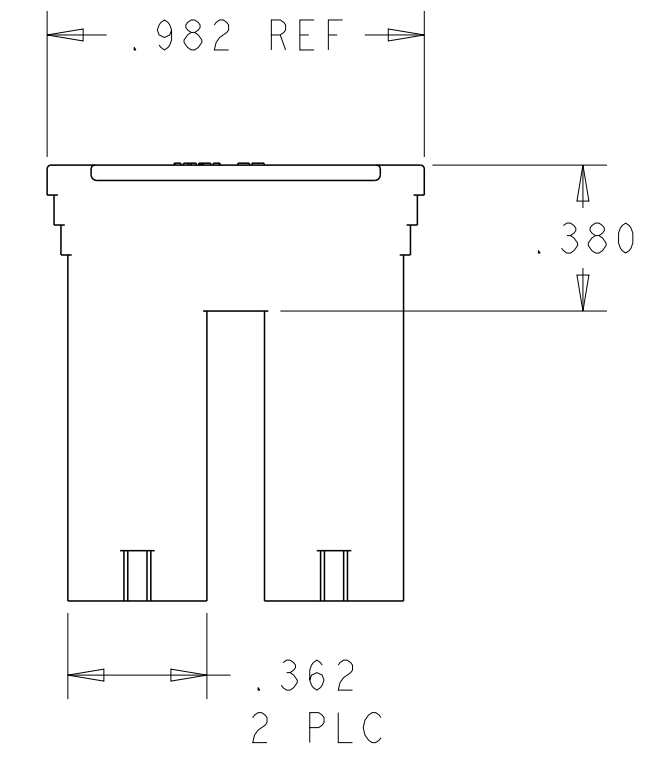
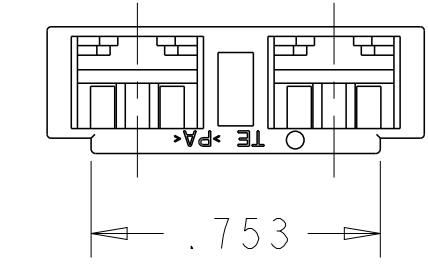
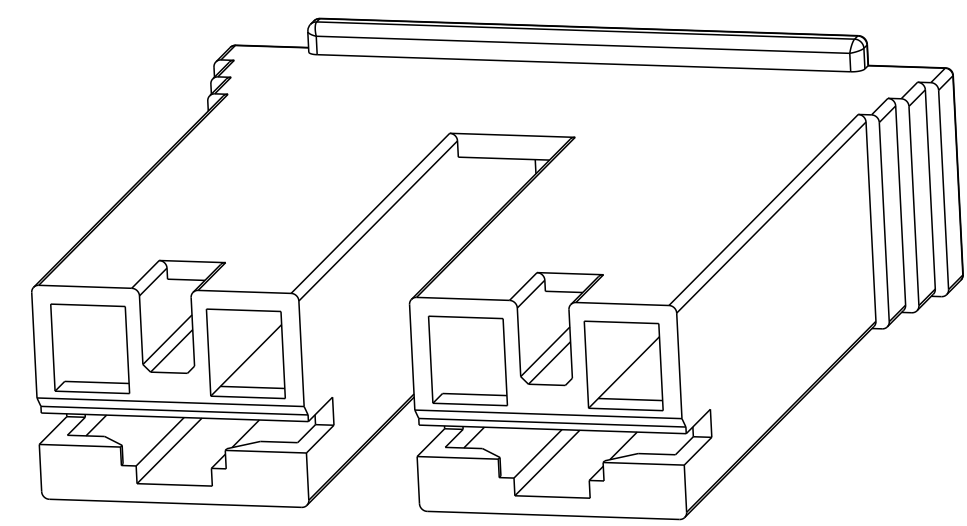


LOC	DIST	REVISIONS			
P	LTR	DESCRIPTION	DATE	DWN	APVD
	A7	REVISED PER ECR-18-006473	18SEP2018	BDA	DS
	A8	REVISED PER ECR-20-005966	01OCT2020	SS	EW
	A9	REVISED PER ECR-20-101046	09DEC2020	MK	EW

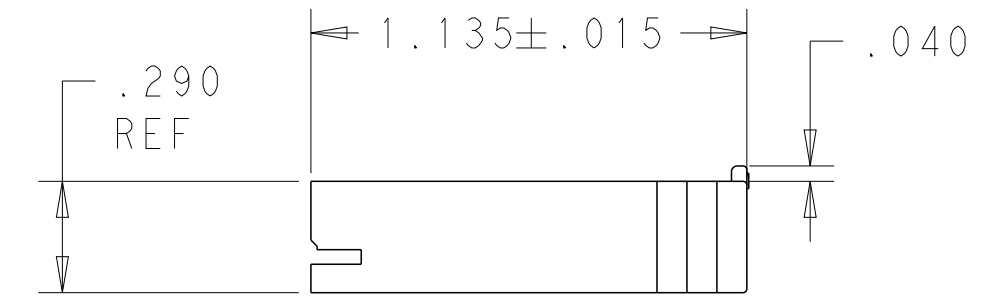
# SUGGESTED MATING TAB



- 1 MATL: 1/2H BRASS OR NICKEL PL STEEL
- 2 NO BURRS PERMISSBLE AT HOLE
- △ MUST BE FLAT WITHIN .003 OVER THIS LENGTH
- 4 TIN PLATING IS REQUIRED ON BRASS WHEN TERMINAL TEMP IS OVER 225° F.
- 5 HOLE MUST BE SYMMETRICAL ABOUT TAB CENTERLINE WITHIN .003
- \* TO BE USED ONLY WHEN SHOULDER IS ELIMINATED.



1 FOR USE WITH MKII POSITIVE LOCK, LOW INSERTION FORCE FASTON RECEPTACLES AND MOST BUDGET FASTON RECEPTACLES.



NATURAL	PA 66	3-1969453-1
BLACK	PA 66/6	1969453-8
YELLOW	PA 66/6	1969453-6
<b>OBSOLETE</b>	BLUE	66 NYLON 1969453-5
	RED	PA 66/6 1-1969453-2
	NATURAL	66 NYLON V0 <del>1-1969453-1</del>
	NATURAL (WHITE)	PA 66/6 1969453-1
	COLOR	MATERIAL PART NO.

SUPERSEDED BY 3-1969453-1

THIS DRAWING IS A CONTROLLED DOCUMENT.

DWN: JR RUTH 04AUG11  
 CHK: KURT RANDOLPH 04AUG11  
 APVD: KURT RANDOLPH 04AUG11

**STE** TE Connectivity

NAME: HOUSING, RECPT, POSITIVE-LOCK AND STANDARD FASTON, .250 SERIES MKII

SIZE: A2 CAGE CODE: 00779 DRAWING NO: C-1969453 RESTRICTED TO: 1

MATERIAL: SEE TABLE WEIGHT: - CUSTOMER DRAWING SCALE: 8:1 SHEET: 1 OF 1 REV: A9