

THIS DRAWING IS UNPUBLISHED.

RELEASED FOR PUBLICATION

REVISIONS

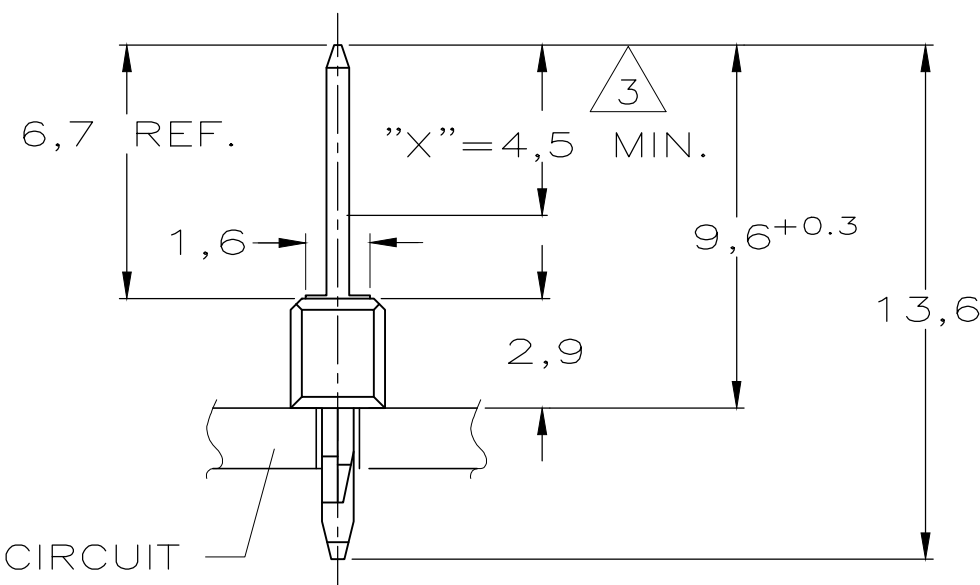
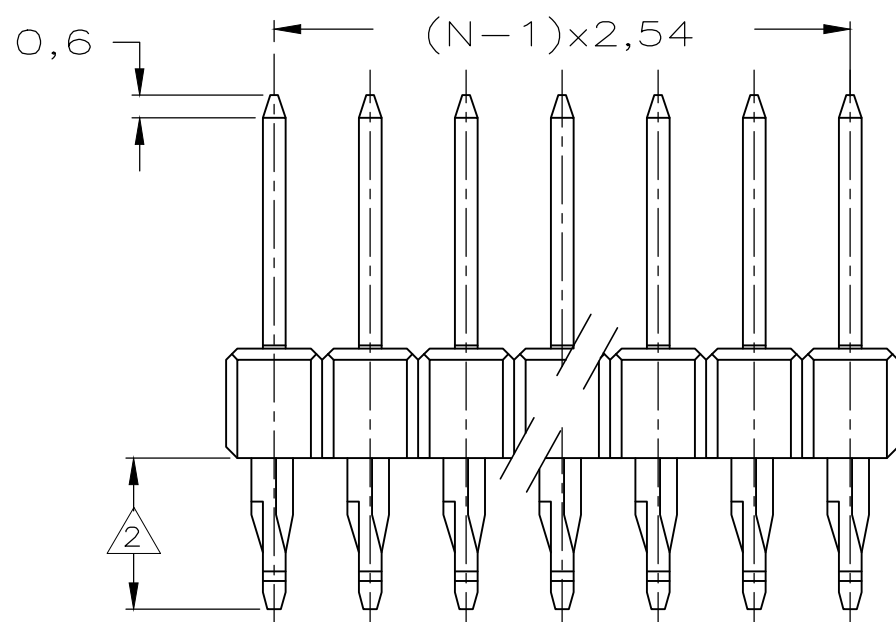
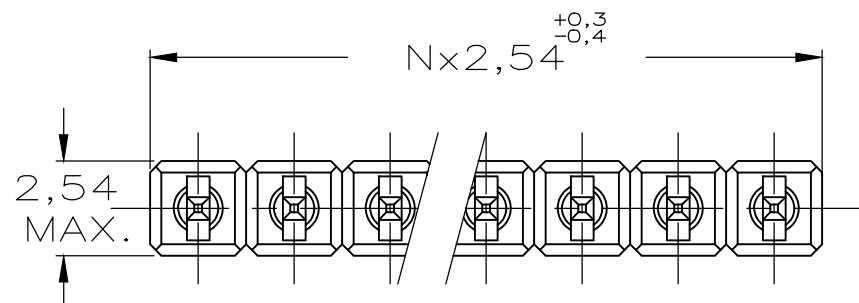
© COPYRIGHT - By -

ALL RIGHTS RESERVED.

P	LTR	DESCRIPTION	DATE	DWN	APVD
	B4	Tolerance on Dim Nx2.54 corrected	04FEB2020	KJK	PS

NOTES:

- 1 HOUSING-MATERIAL:20% GLASSFILLED POLYESTER (GREEN).  
CONTACT-MATERIAL:PHOSPHOR BRONZE.
- 2 ACTION-PIN SUITABLE FOR 1,6mm P.C.-BOARD-THICKNESS.
- 3 PLATING: AREA "X" Au-PLATED 0,76µm-THICKNESS.  
ACTION-PIN AREA: Sn-PLATED 1,27µm-THICKNESS.  
UNDER COATING:1,27µm Ni. ALL OVER.
- 4 TO DETERMINE DIMENSIONS TAKE N = Nr. OF POS.  
FOR EXAMPLE: 10 POS.=Nx2,54=25,40mm.  
FOR ORDER NR.:USE BASIC NR. + NR. OF POS.  
FOR EXAMPLE: 36 POS.= 3-215267-6 OBSOLETE/6
- 5 MAX. PERMISSIBLE BURR AFTER CHOPPING 0,2mm.
- 6 OBSOLETE PARTS: OBSOLETE CIS STREAMLINING PER D.RENAUD/D.SINISI



PRINTED CIRCUIT BOARD

P.C.B. HOLE DIM. ACTION PIN	
DRILLED HOLE	:1,15 ±0,025 mm
FIN. HOLE	:0,94 to 1,09 mm
AFTER REFLOW	:0,91 to 1,09 mm
Cu-thks	:0,025 to 0,075 mm
Sn-thks	:0,004 to 0,010 mm

THIS DRAWING IS A CONTROLLED DOCUMENT.		DWN	J.v.LIEMPT	7 MAY 97	 TE Connectivity		NAME 40 POS. MOD II PIN HEADER 2,54 PITCH WITH ACTION-PIN, SINGLE ROW			
DIMENSIONS: mm		CHK	R.BROENS	-						
TOLERANCES UNLESS OTHERWISE SPECIFIED:		APVD	E.LEIJTENS	-						
0 PLC ± - 1 PLC ± - 2 PLC ± - 3 PLC ± - 4 PLC ± - ANGLES ± -		PRODUCT SPEC	-	-						
MATERIAL		APPLICATION SPEC	-	-	SIZE	CAGE CODE	DRAWING NO	RESTRICTED TO		
SEE NOTES		FINISH	-	-	WEIGHT	-	A3 00779 C-215267	-		
CUSTOMER DRAWING					SCALE	5:1	SHEET	1 OF 1	REV	B4