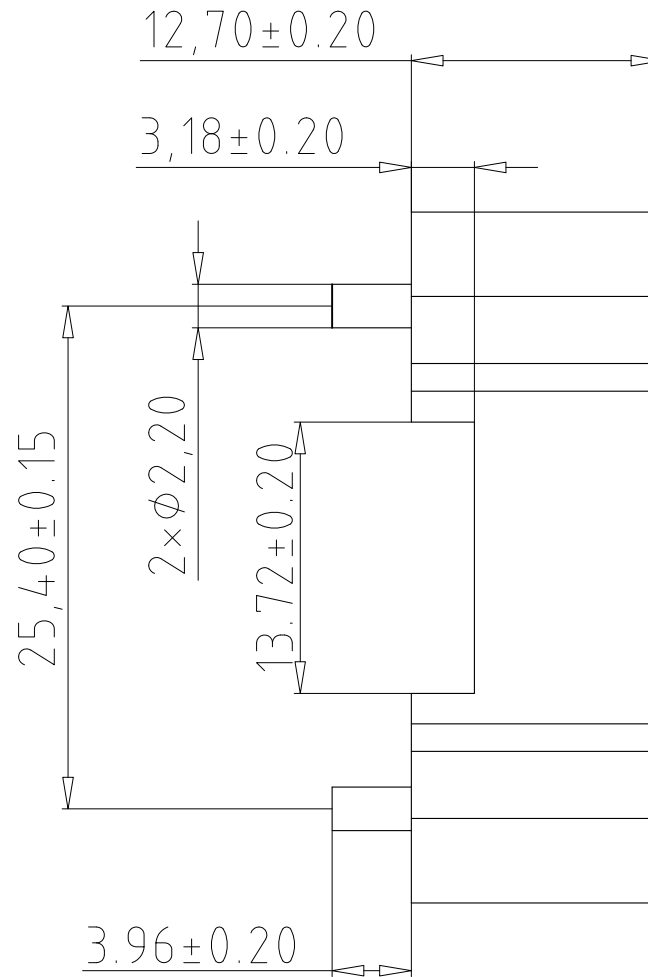
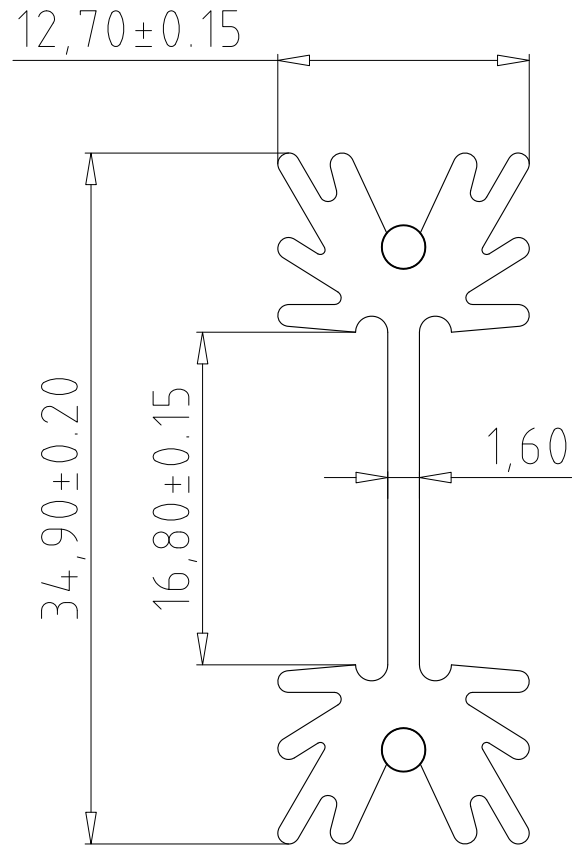


REV	DESCRIPTION	DATE	ORIGINATOR	APPROVED
A	--	--	--	--



NOTES:

- 1.MATERIA: AL6063-T5
- 2.FINISH:Black Anodize
- 3.BREAK AND DEBUR ALL SHARP EDGES
- 4.PART SHALL BE ROHS COMPLIANT

ALL DIMENSIONS ARE IN mm Unindicated TOL. .X           ±0.35mm .XX          ±0.25mm .XXX         ±0.13mm ANG.         ±1°	FINISH				
	DRAWN BY Kevin Zhong				
	CHECKED BY	CUSTOMER PART NUMBER	DWG SIZE A4	CUS REV A	CS REV A
	APPROVED BY	CS PART NUMBER CSBL-189-A-0A	SHEET 1 of 1	SCALE 1:1	DATE

