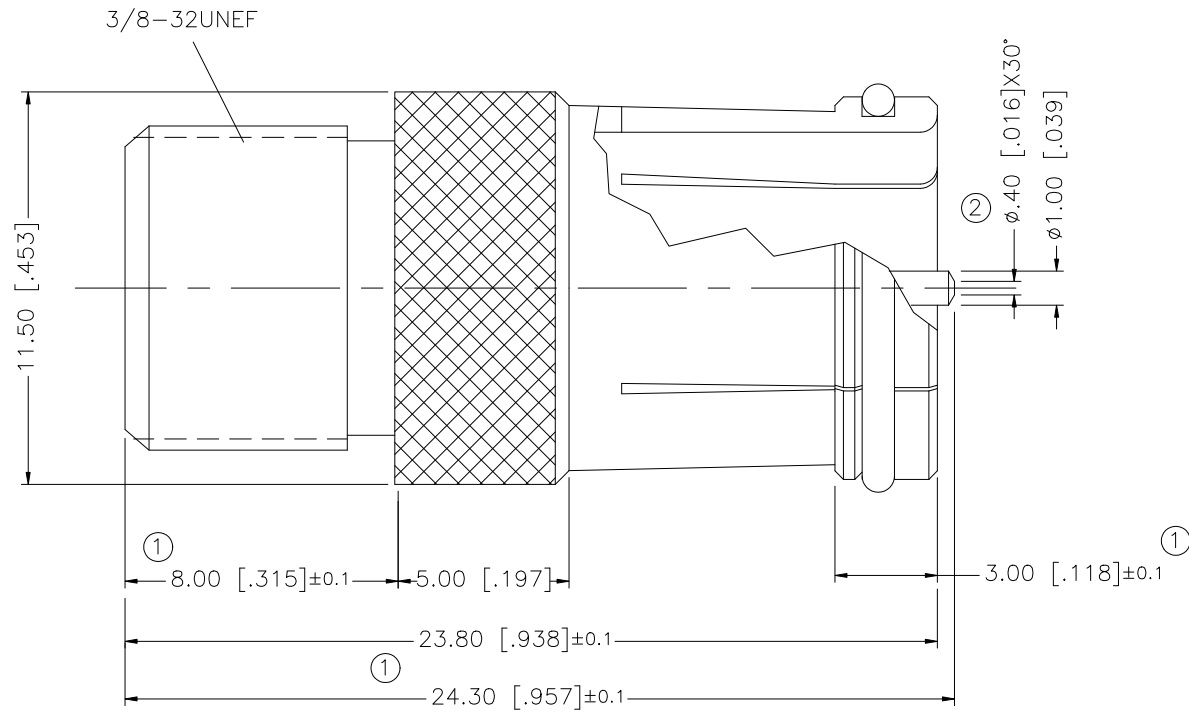


REV.	DATE	DESCRIPTION
NC	11/06/99	INITIAL RELEASE
A	12/27/05	UPDATE DRAWING FORMAT
B	04/20/06	REVISE BODY DIMENSIONS ①
C	07/12/07	ADD CHAMFER TO CONTACT PIN ②



8				UNLESS OTHERWISE SPECIFIED DIMENSIONS ARE IN MILLIMETERS. DIMENSIONS IN [] ARE IN INCHES AND FOR CUSTOMER REFERENCE ONLY. UNLESS OTHERWISE SPECIFIED TOLERANCES FOR MILLIMETERS ARE: 0.5 - 8mm ± 0.20mm 8 - 30mm ± 0.40mm 30 - 120mm ± 0.50mm UNLESS OTHERWISE SPECIFIED TOLERANCES FOR INCHES ARE: .020 - .315 = ± 0.007" .315 - 1.180 = ± 0.015" 1.180 - 4.724 = ± 0.020" DO NOT SCALE DRAWING	APPROVALS	DATE	<h1 style="color: blue;">Amphenol Connex</h1> <p>F FEMALE TO QUICK DISCONNECT MALE ADAPTER</p> <p>PART NO. 222157</p>	
7					DRAWN	G.R.S.		07/12/07
6					CHECKED			
5					ISSUED			
4	CONTACT PIN	BRASS	BRIGHT TIN		1	SHEET		1 OF 1
3	INSULATOR	P.P.	NATURAL	1	CAD FILE	C:/222/222157.DWG	DWG. NO. 222157.DWG	
2	INSULATOR	DELRIN	NATURAL	1	REV.	C	SIZE A	
1	BODY	BRASS	NICKEL	1	SCALE	NA		
	DESCRIPTION	MATERIAL	FINISH	QTY				