

5

4

3

2

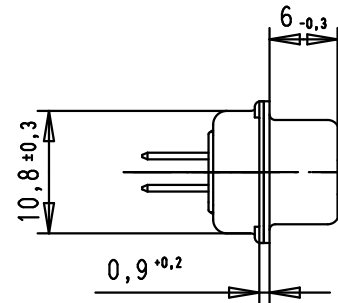
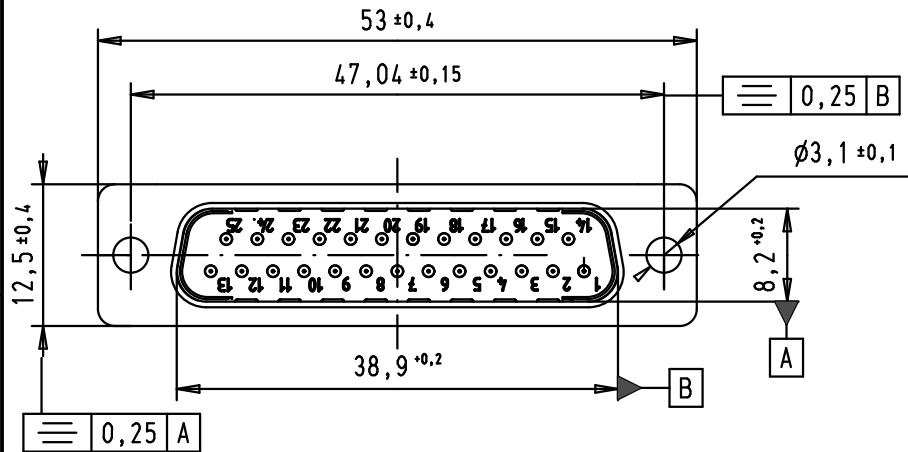
1

D

C

B

A

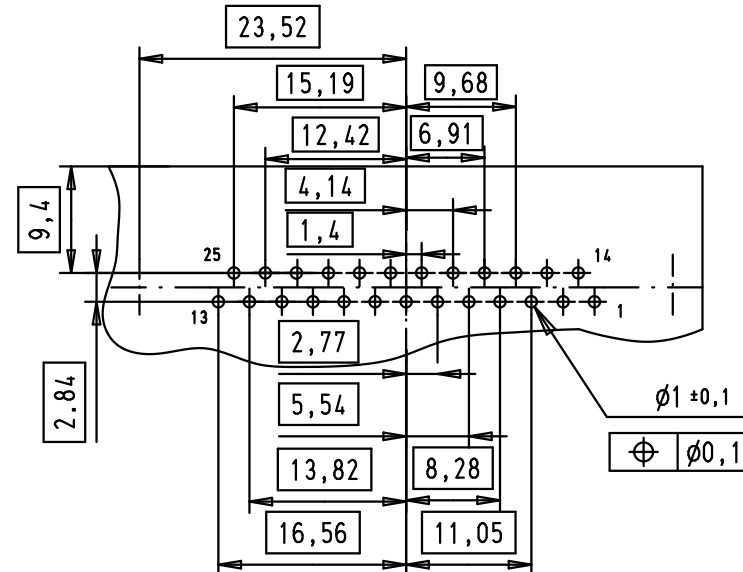
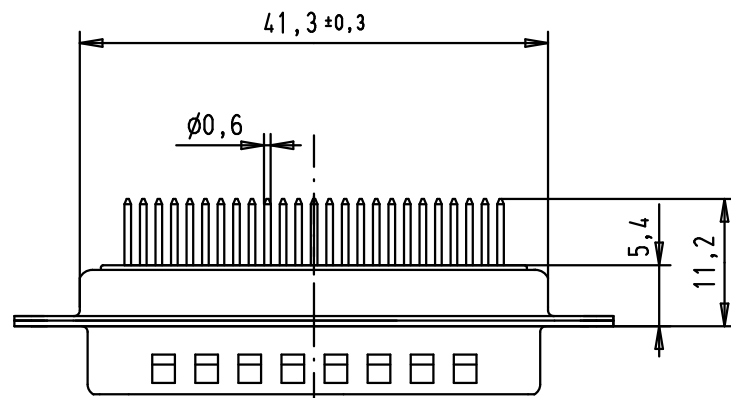


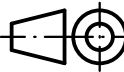
SPECIFICATION

Performance level	PL2
Filter type	C
Capacitance	1000pf \pm 20%
Working Voltage	100v
Current Rating	7.5A
Insulation Resistance	>1G Ω

FREQUENCY (MHz)	ATTENUATION (dB)
5	1dB
10	3dB
50	12dB
100	20dB
500	34dB
1000	30dB

PCB Layout, Componentside



			Dot.	Name	 All Dim. in mm Orig. Size DIN A 4
			Detail.	8-JUL-02	
36283	09/12/11	SD	Insp.	09/12/11	JB
33423	06/02/06	JMDR	Stand.		
32234	06/10/04	TR			
31058	8-JUL-02	CV			
Mod.	Dot.	Name	HARTING EURL F-95972 Paris		

D-Sub, male, straight,
25 Poles, turned solder pin,
dimples and fixing holes

Ma?Mstab/
Scale

1.5:1

TB 09643227230

Blatt/ Page

1 / 1

Sub.