

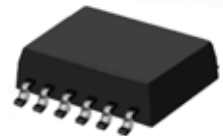
Type: CLP42B, CLP82
◆ Product Description
CLP42B

- 6.5×4.6mm typ.(L×W),2.5mm Max. Height.
- Built in either one pulse transformer or one common mode choke coil.

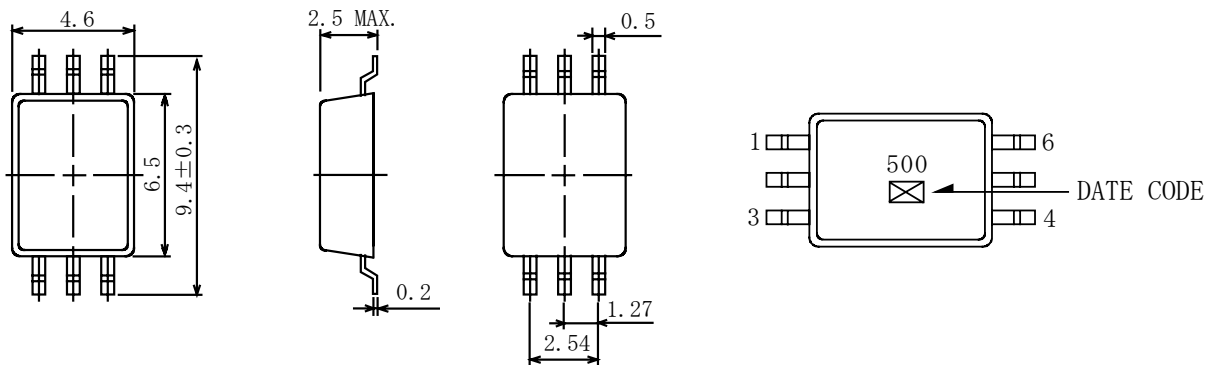
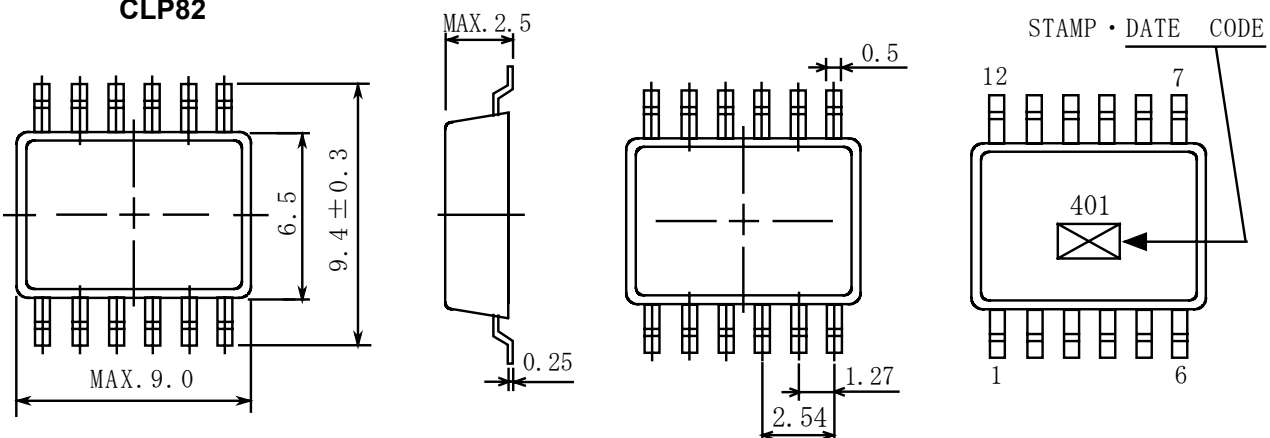
CLP82

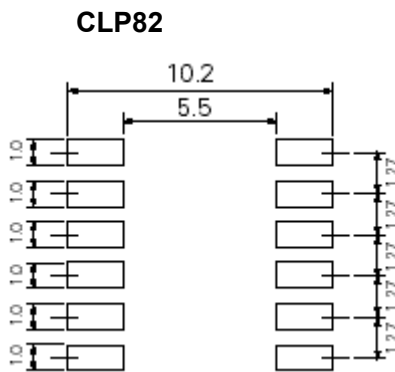
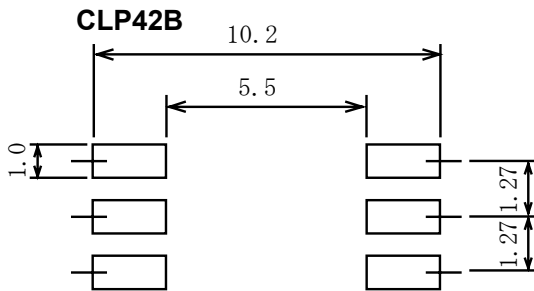
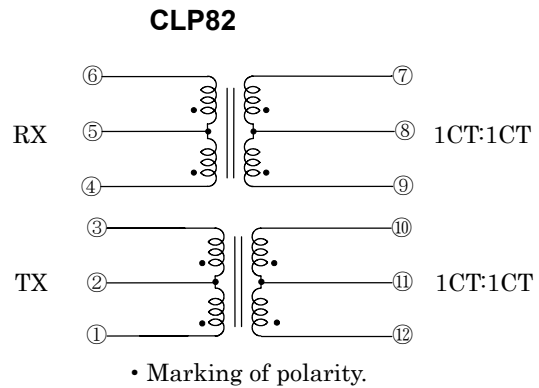
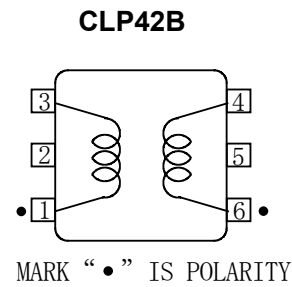
- 9.0mm Max.×6.5mm typ. (L×W),2.5mm Max. Height.
- Built in either 2 or 3 pulse transformer or 2 or 3 common mode choke coil.

CLP42B

CLP82

◆ Feature

- Super low profile LAN Pulse transformer.
- Ideally used in PCMCIA cards and other related smaller equipments.
- RoHS Compliance.

◆ Dimensions (mm)
CLP42B

CLP82


Type: CLP42B, CLP82
◆ Land Pattern (mm)

◆ Schematics(Bottom)

◆ Specification

Part No.	Stamp	Inductance (μ H) REF.] (100kHz) (1-3)	Leakage Inductance (μ H) [REF.] (100kHz) (4-6)Shorted	D.C.R. (m Ω) [REF.] (at 20°C)	LINE CAPACITY (pF) [Max.]	ET-Product [Min.] (μ sec · V)
CLP42B-500	500	50	0.22	186	6.0	0.8
CLP42B-750	750	75	0.27	210	8.0	1.0
CLP42B-101	101	100	0.20	224	9.0	1.1
CLP42B-151	151	150	0.19	240	10.0	1.3
CLP42B-201	201	200	0.18	260	10.0	1.5
CLP82-401	401	400	2.5	700	10.0	1.2