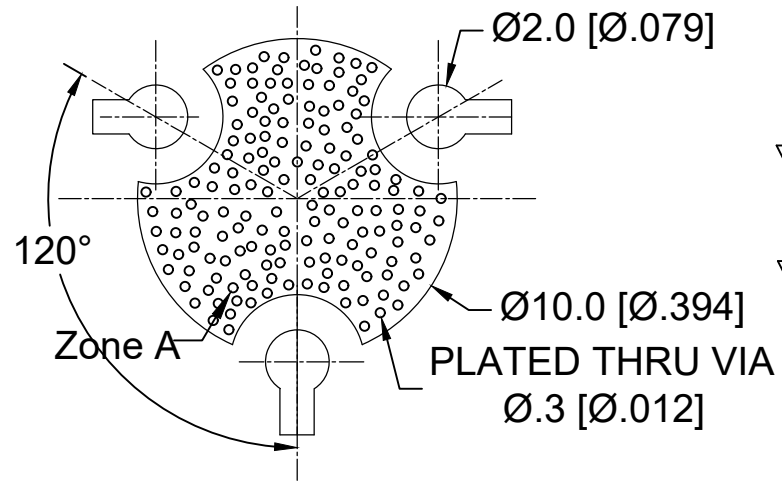
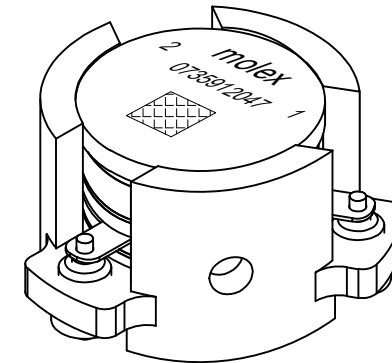
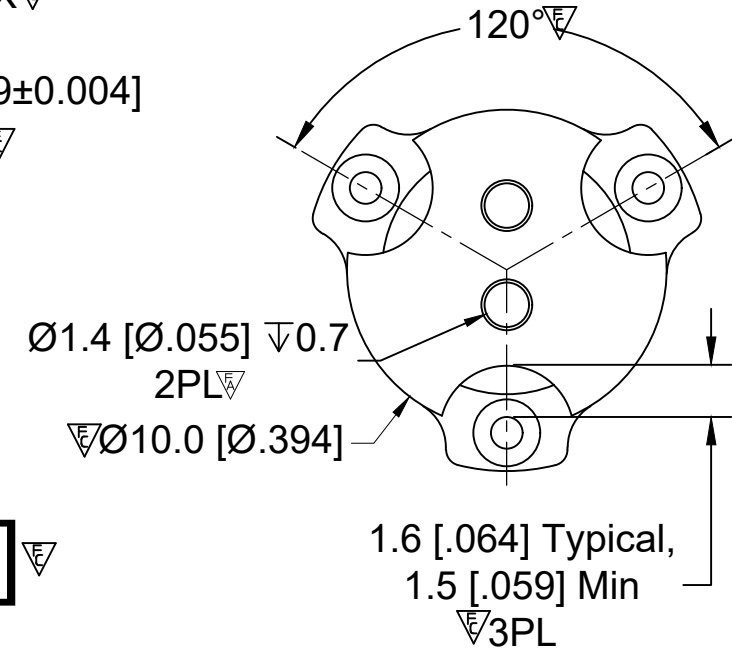
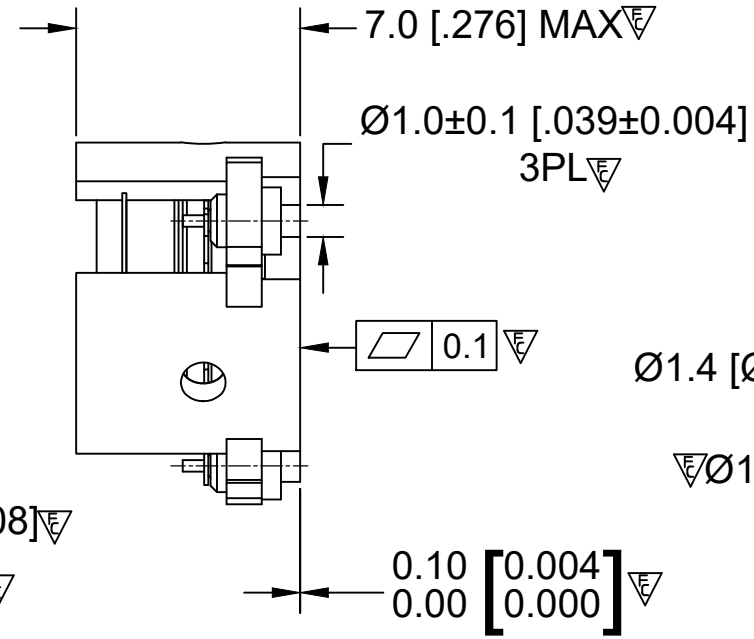
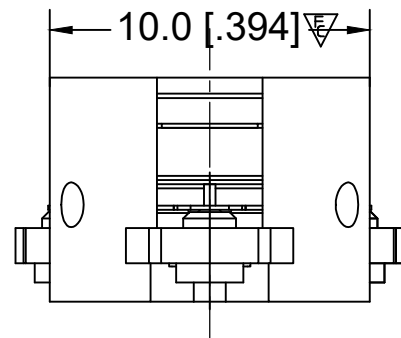
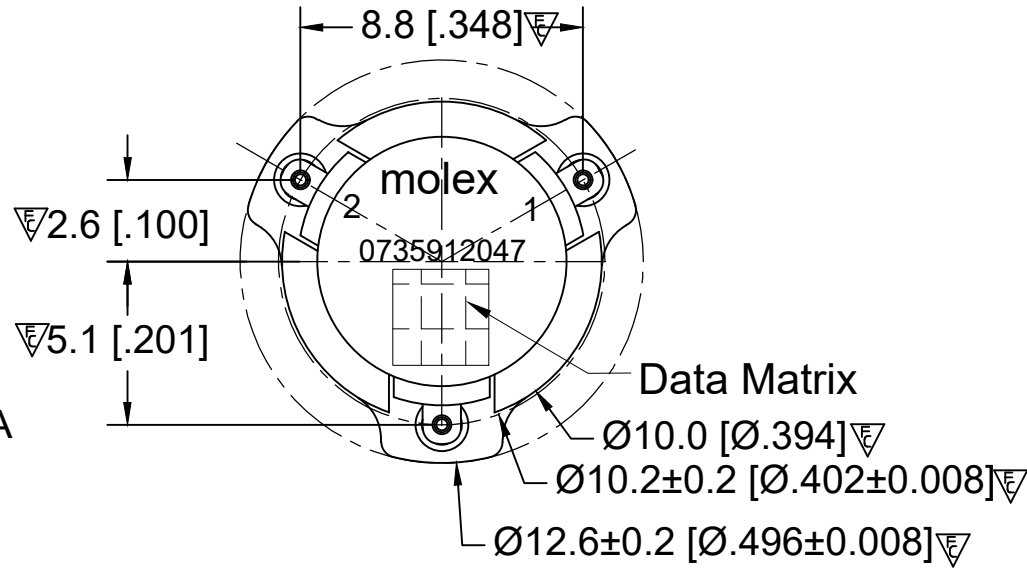


**RECOMMENDED LAND PATTERN :**

Zone A must be attached to heat sink. Thermal conductivity of intermediate layers between Zone A and heat sink must be better than 0.1 W / [°C x mm].



PCB Material :Rogers RO4350B,0.508mm thickness  
trace width 1.07mm wide.



BODY: CARBON STEEL, SILVER PLATED  
RIGID PINS: COPPER, SILVER PLATED

**NOTES:**

- 1.STANDARD INPUT/OUTPUT IMPEDANCE 50 Ohm
- 2.LEAD FREE, NO Nd MATERIAL, BeO FREE
- 3.THE DIMENSION OF DATE MATRIX IS 3X3MM INFORMATION INCLUDING WORK ORDER NUMBER-SERIAL NUMBER-MATERIAL NUMBER
- 4.THIS PART COMPLIES WITH ALL RoHS REQUIREMENTS

**ELECTRICAL SPECIFICATION :**

Frequency Range : 2496~2690 MHz  
Insertion Loss : 0.35 dB max  
Isolation : 20 dB min  
Return Loss : 20 dB min  
IMD3(2x5 W, 1 MHz space) : -60dBc max  
Input Power: : 50W  
Peak Power: : 200W  
Operating Temperature : -40°C to +105°C  
Storage Temperature : -40°C to +125°C  
Direction : CCW

**ENG PART#:812-249-269-VP040**

THIS DRAWING CONTAINS INFORMATION THAT IS PROPRIETARY TO MOLEX ELECTRONIC TECHNOLOGIES, LLC AND SHOULD NOT BE USED WITHOUT WRITTEN PERMISSION									
FUNCTIONAL SYMBOLS	DIMENSION UNITS	SCALE	CURRENT REV DESC:						
MM	1:1	RELEASE TO PROD							
GENERAL TOLERANCES (UNLESS SPECIFIED)	mm		EC NO: 696580						
4 PLACES ±0.005	±----	INCH	DRWN: SREN05 2022/02/21						
3 PLACES ±0.025	±----		CHK'D: JLI252 2022/02/23						
2 PLACES ±0.13	±----		APPR: HWANG186 2022/03/01						
DIVISIONAL SYMBOLS	1 PLACE ±0.2	±----	INITIAL REVISION:						
0 PLACES ±0.4	±----		DRWN: SREN05 2021/11/15						
	ANGULAR TOL ± 1.5 °		APPR: HWANG186 2022/03/01						
DRAFT WHERE APPLICABLE MUST REMAIN WITHIN DIMENSIONS	THIRD ANGLE PROJECTION	DRAWING	SERIES	MATERIAL NUMBER	CUSTOMER	SHEET NUMBER			
		A3-SIZE	73591	0735912047	CUSTOM PART	1 OF 1			