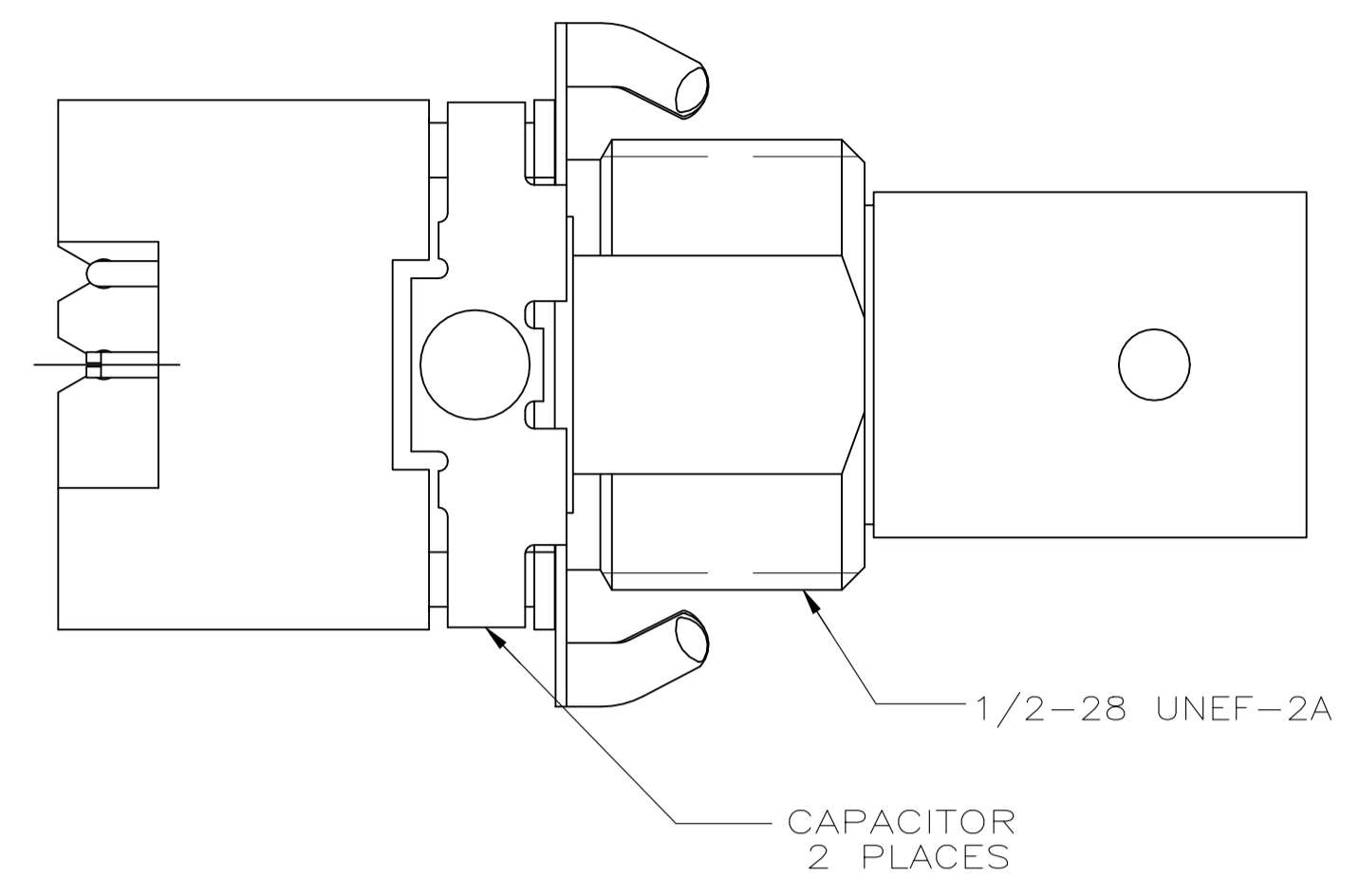
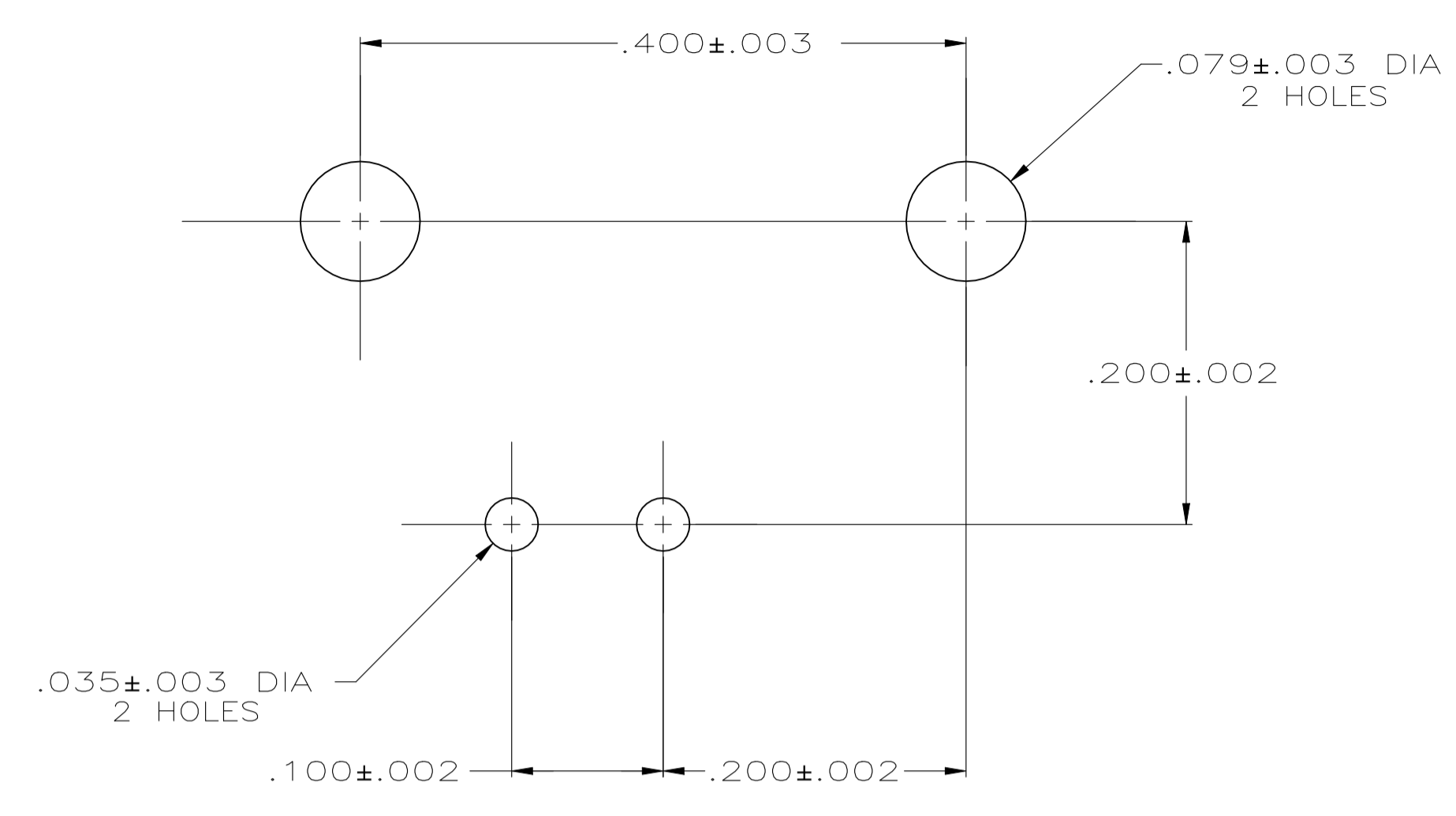
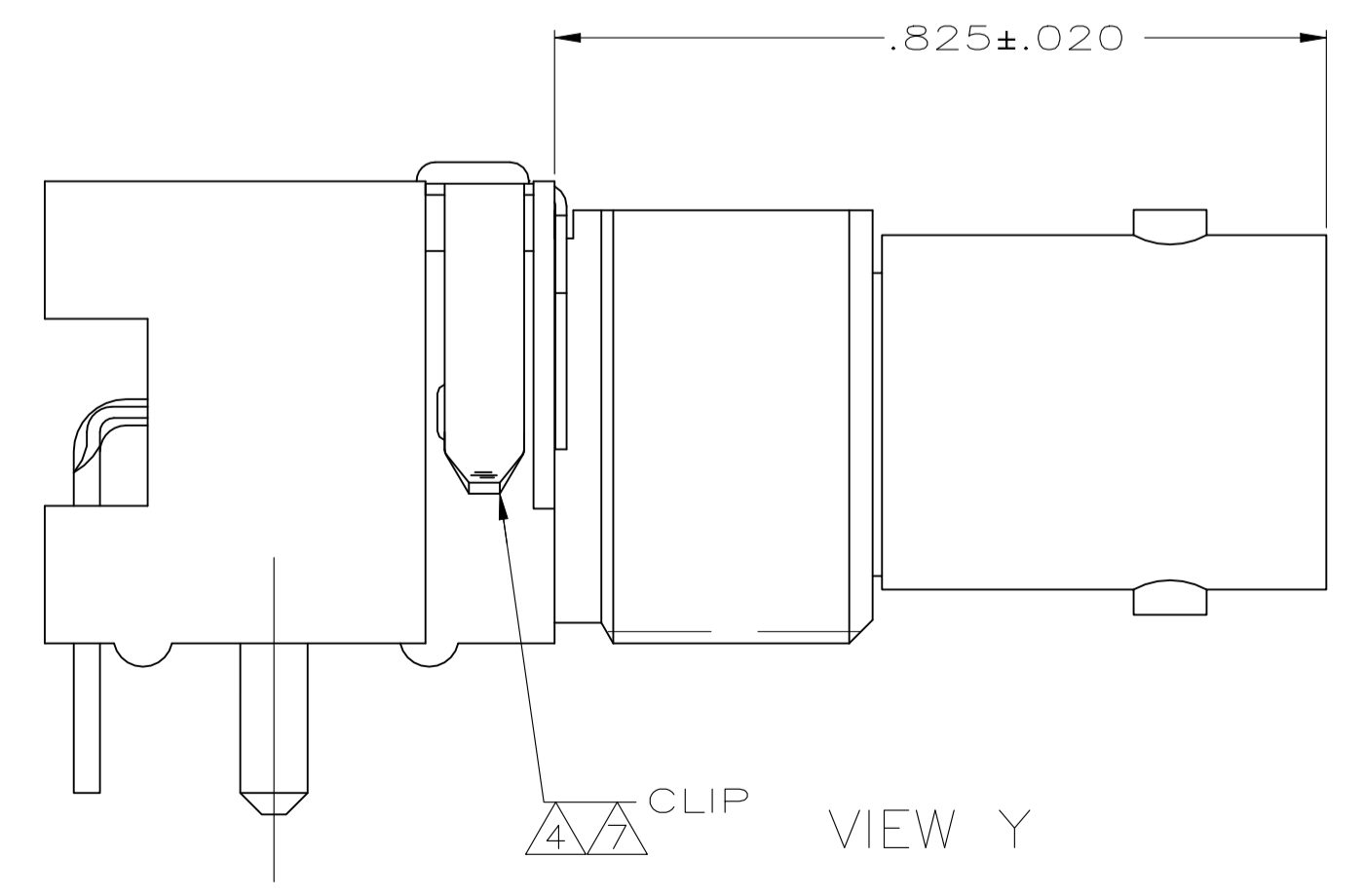
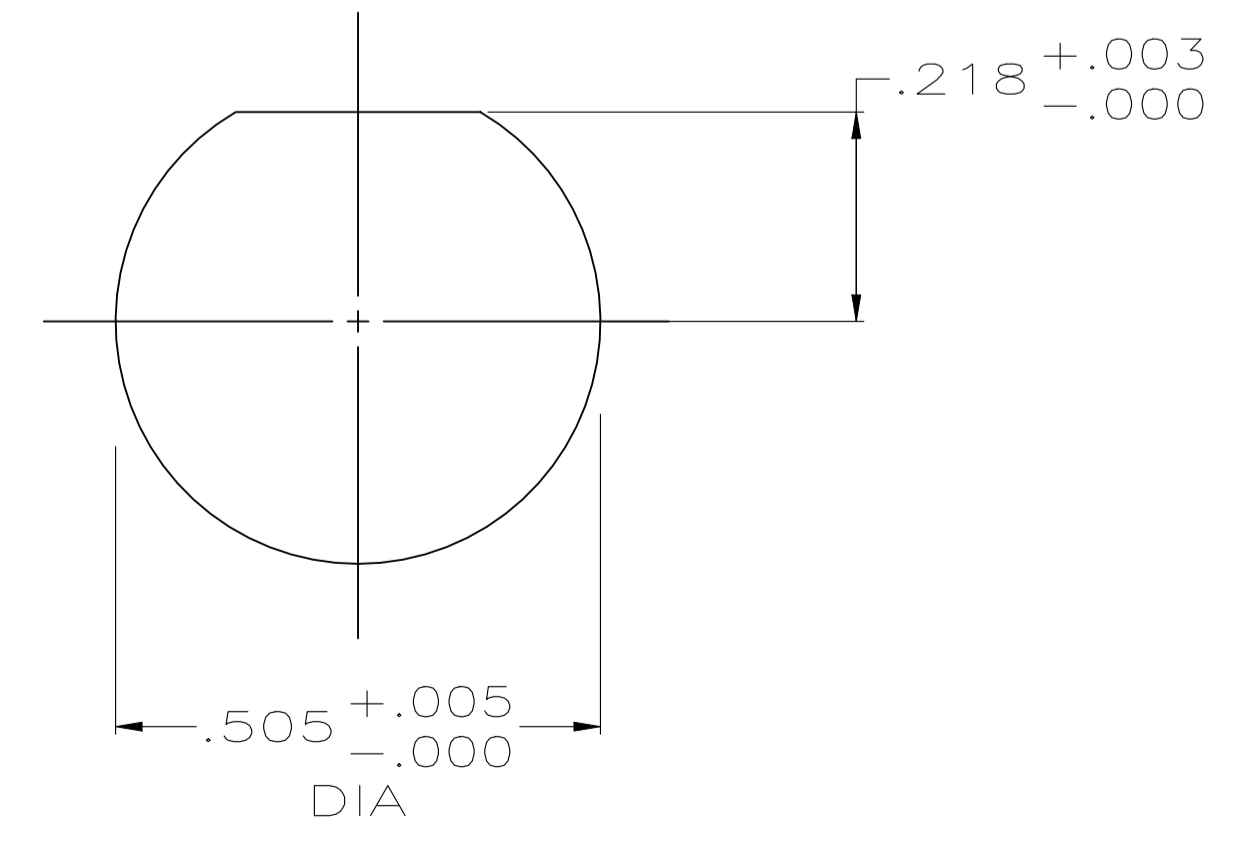
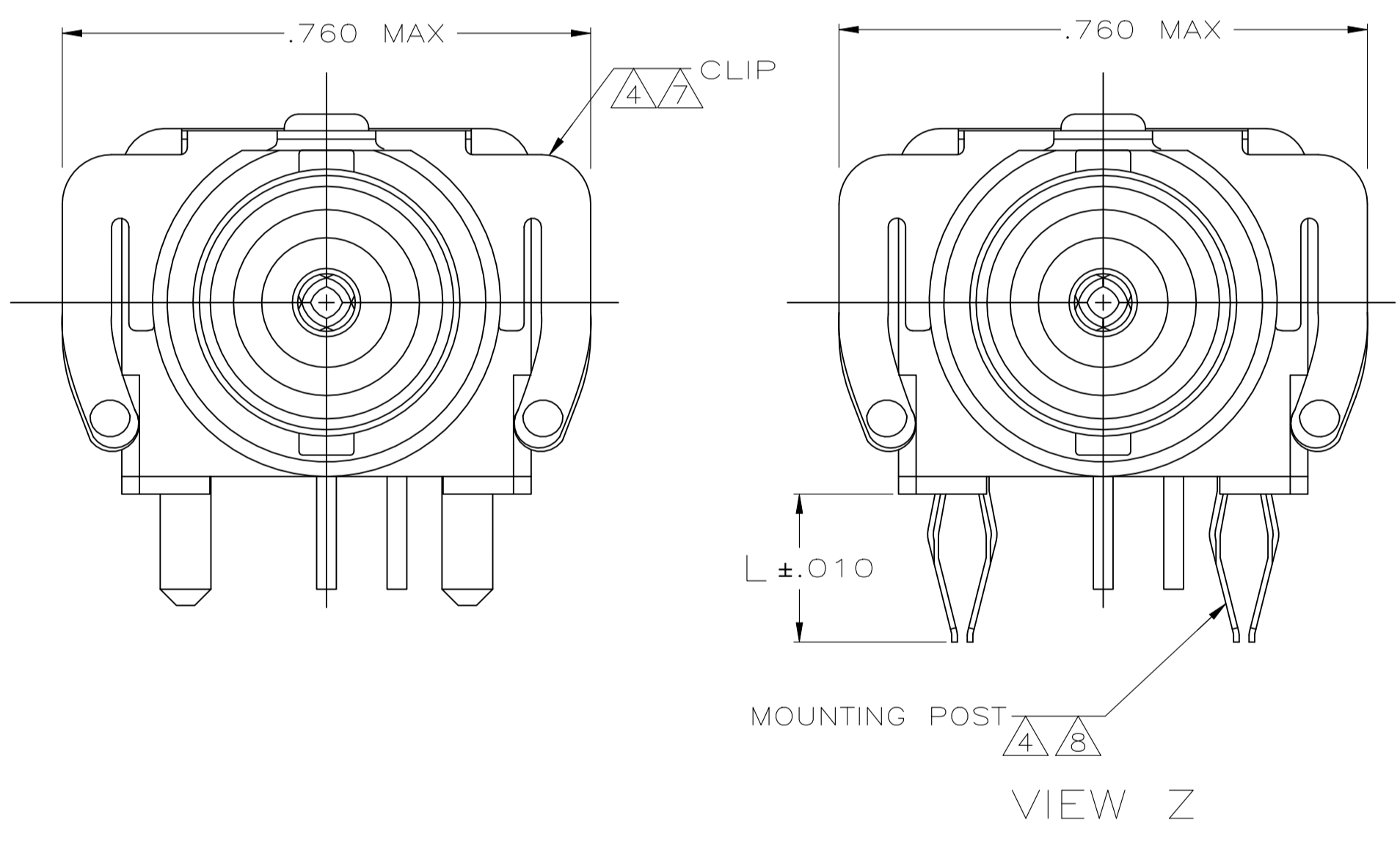
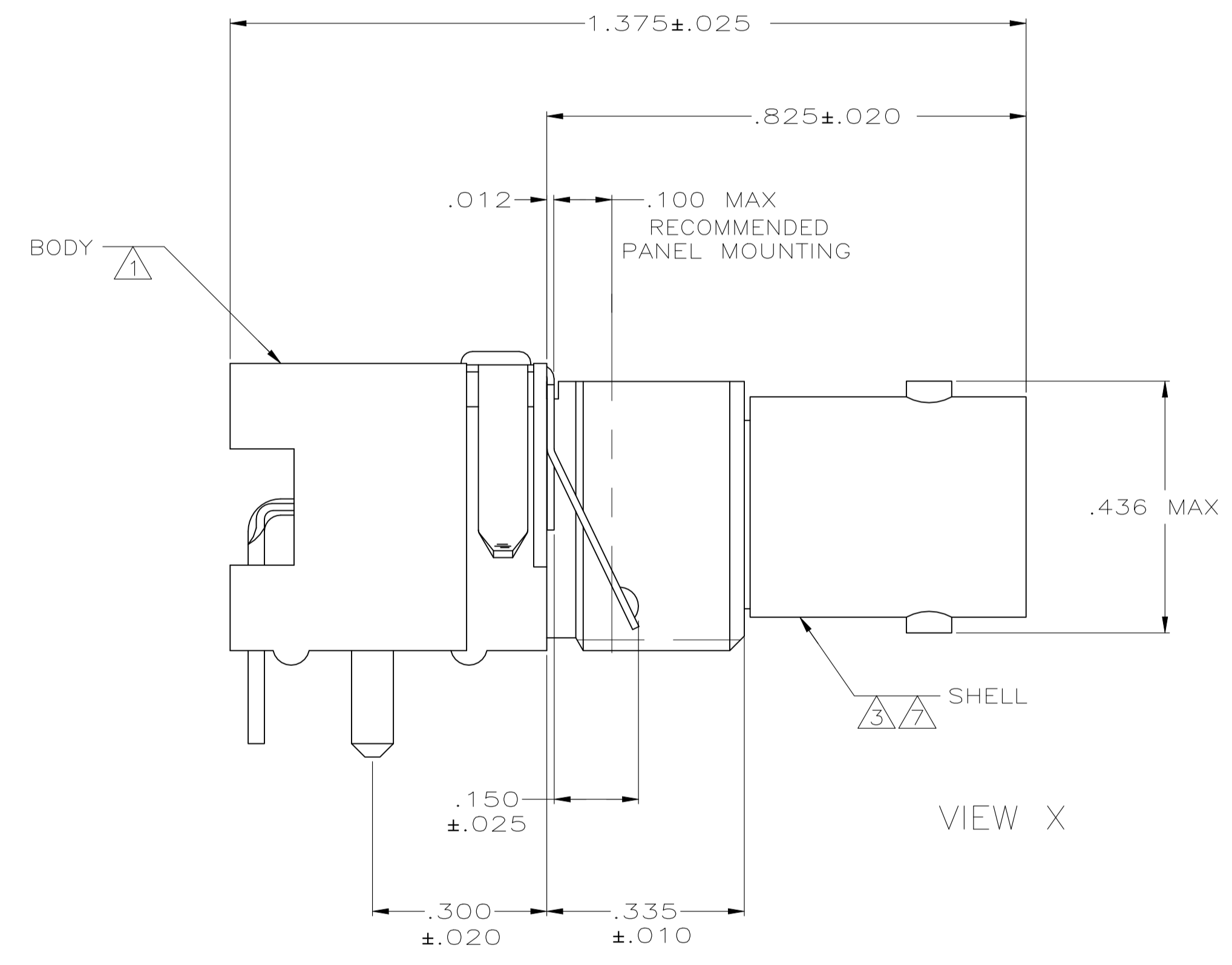
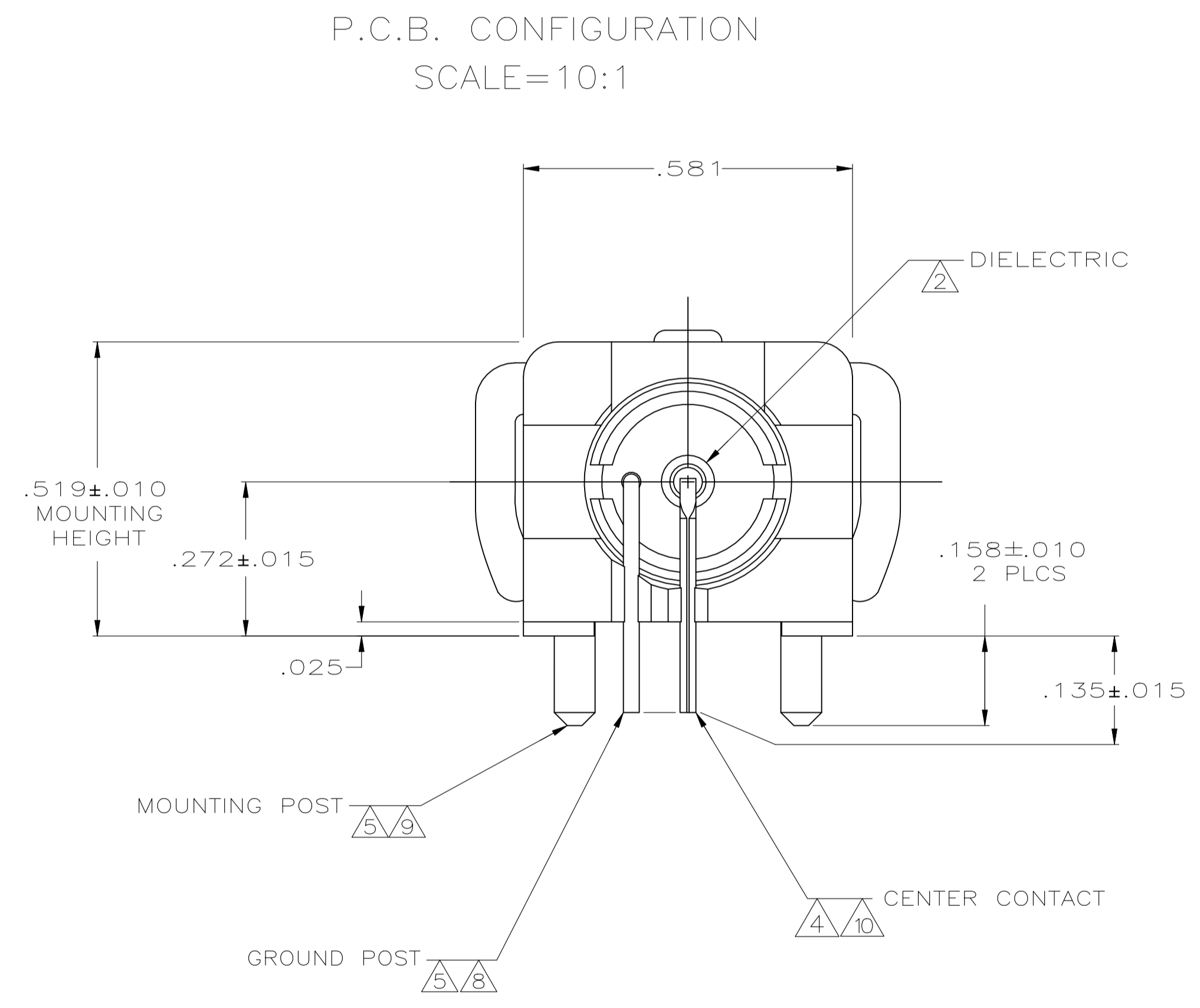


REVISIONS					
P	LTR	DESCRIPTION	DATE	DN	APVD
AB2	REVISED PER ECN-22-147270		05APR2022	RZ	WK



- 1 POLYESTER, PBT, BLACK, PER MIL-M-24519.
- 2 POLYMETHYLPENTENE GENERAL PURPOSE.
- 3 ZINC PER QQ-Z-363.
- 4 PHOSPHOR BRONZE PER QQ-B-750.
- 5 BRASS PER QQ-B-626.
- 6 BRASS PER ASTM-B-453.
- 7 NICKEL PL PER QQ-N-290.
- 8 TIN PLATE PER ASTM-B-545.
- 9 TIN PLATE PER ASTM-B-545.
- 10 SELECTIVELY GOLD PLATED ON INTERFACE AREA PER MIL-G-45204, .000030 THK, TIN PLATED ON SOLDER TAIL PER ASTM-B-545, ALL OVER NICKEL PL PER QQ-N-290.
- 11 OBSOLETE PARTS: OBSOLETE CIS STREAMLINING PER D.RENAUD/D.SINISI



REV	DESCRIPTION	VIEW X	VIEW Y	CAPACITANCE & VOLTAGE	PART NO
OBSOLETE	-	VIEW X	VIEW X	1000 pf, 2200 VDC	1-413515-1
SUPERSEDED BY 413515-2	-	VIEW X OR Y	VIEW X	9400 pf, 1500 VDC	1-413515-0
	.110	VIEW Z	VIEW X	9400 pf, 1500 VDC	413515-9
SUPERSEDED BY 5413515-8	.185	VIEW Z	VIEW X	9400 pf, 1500 VDC	413515-8
	.110	VIEW Z	VIEW X	7900 pf, 1600 VDC	413515-7
SUPERSEDED BY 413515-7	.185	VIEW Z	VIEW X	7900 pf, 1600 VDC	413515-6
SUPERSEDED BY 413515-2	-	VIEW X OR Y	VIEW Y	9400 pf, 1500 VDC	413515-5
SUPERSEDED BY 413515-2	-	VIEW X OR Y	VIEW Y	9400 pf, 500 VDC	413515-4
OBSOLETE	-	VIEW X OR Y	VIEW X	20000 pf, 500 VDC	413515-3
OBSOLETE	-	VIEW X OR Y	VIEW X	9400 pf, 1500 VDC	413515-2
SUPERSEDED BY 413515-2	-	VIEW X OR Y	VIEW X	9400 pf, 500 VDC	413515-1
L	MOUNTING POST	CLIP	CAPACITANCE & VOLTAGE	PART NO	

THIS DRAWING IS A CONTROLLED DOCUMENT.

DIN P. KERLIN 5/4/90
 CHK R. E. RUTH 5/18/90
 APVD P. BIRD 5/18/90

TE Connectivity
 JACK DECOUPLER, RIGHT ANGLE, LOW PROFILE, SERIES BNC

PRODUCT SPEC 108-1269
 APPLICATION SPEC

SIZE A1 CAGE CODE 00779 DRAWING NO. 413515
 WEIGHT 0.000000

MATERIAL THRU FINISH
 DIMENSIONS: INCHES TOLERANCES UNLESS OTHERWISE SPECIFIED:
 0 PLC ± -
 1 PLC ± -
 2 PLC ± -
 3 PLC ± .008
 4 PLC ± -
 ANGLES ± -

CUSTOMER DRAWING SCALE 4:1 SHEET 1 of 1 REV AB2