

RFEC-4

High quality low loss CFD400 cable suitable for outdoor installation and weather extreme conditions.

Length 3 meter with connectors N-Female to N-Male



Fully compatible with technologies, products and services by



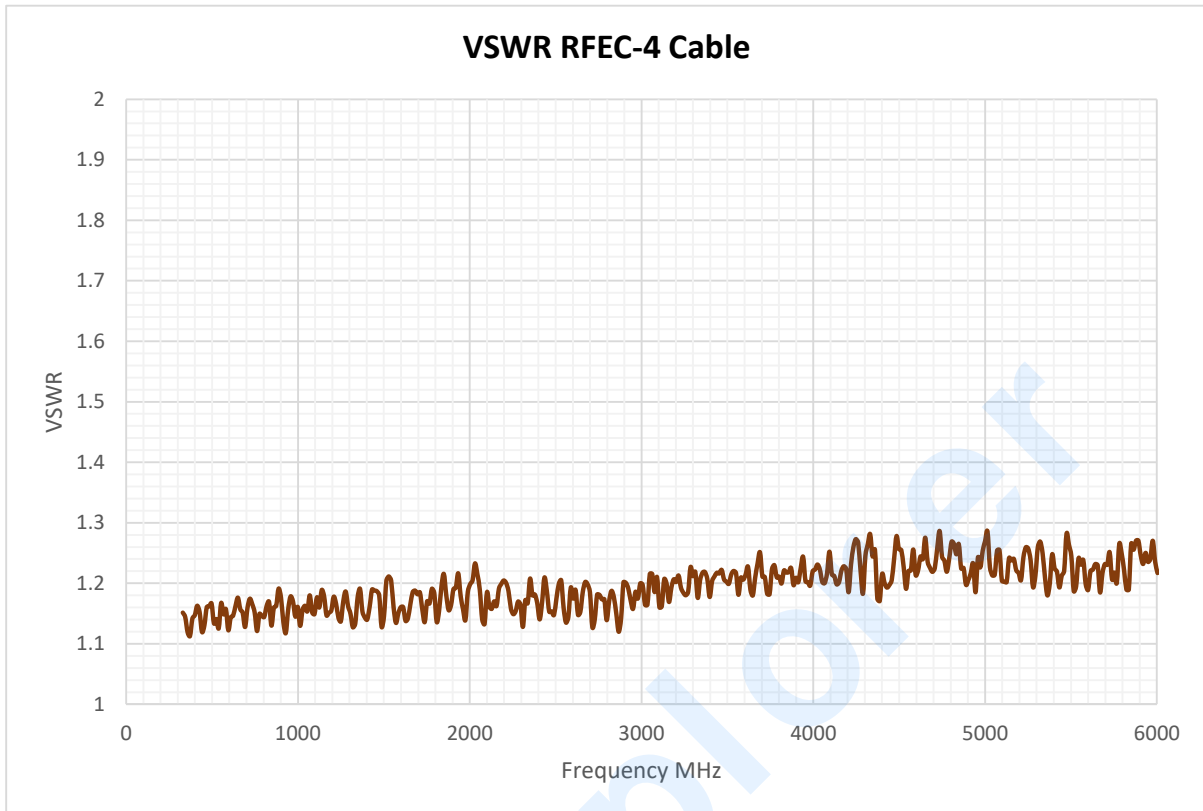
Features

- ✓ Robust construction for outdoor usage
- ✓ Perfect connector match with RF Explorer high performance antennas and Helium hotspots
- ✓ Very low insertion loss

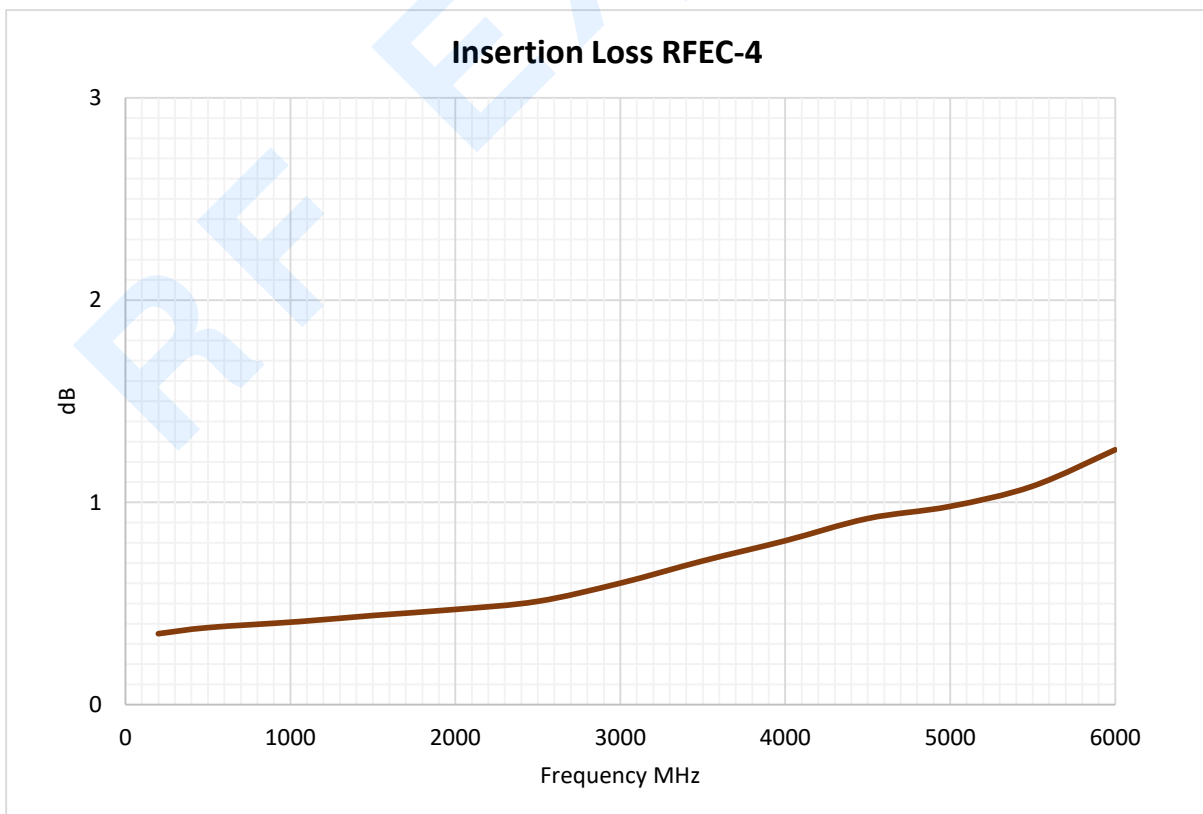
Specification

Frequency Range	0-6000MHz
Length	3 meter ±50mm
Impedance	50Ω
VSWR	Typical 1.1 @ 900MHz ≤1.5 max @ 6GHz
Insertion Loss	Typical 0.9db @ 900MHz ≤2.5dB max @ 6GHz
Capacitance	76pF/m
Velocity of Propagation	85%
Connectors	Type N Male/Jack Type N Female/Plug
Insulation Resistance	> 1,000 MΩ
Bend Radius	Min 25.4mm
Voltage Breakdown	2.5KV
External Cable Diameter	10.3mm
Connectors	Type N Female Type RP-SMA Male
Mating Cycles	> 500
Jacket Material	PE
Conductor Material	Copper
Binder Material	Aluminum/PE Tape
Braid Material	Tinned copper wire
Operation Temperature	-30°C to +65°C
Environmental	RoHS

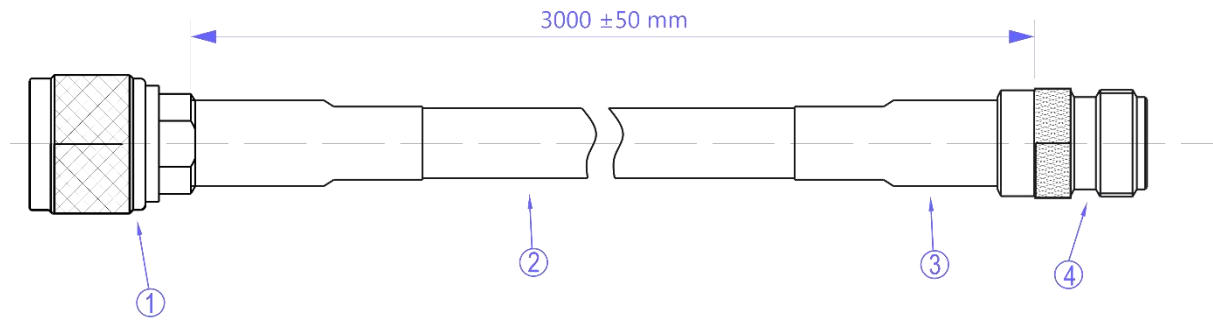
VSWR



Insertion Loss



Mechanical Specifications



- All Dimensions in millimeters (mm)*
- 1- RF Connector N Male - Cu Nickel Plated
 - 2- CFD400 cable 10.3mm diameter
 - 3- Heat shrink assembly 13mm diameter
 - 4- RF Connector N Female - Cu Nickel Plated

