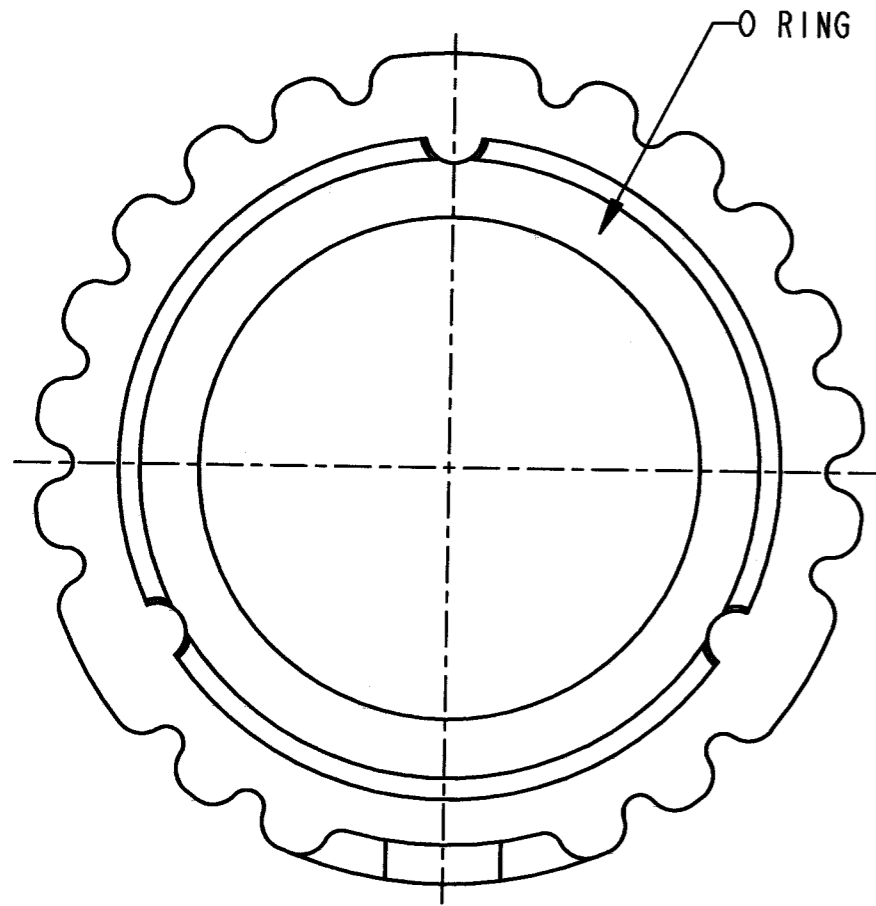
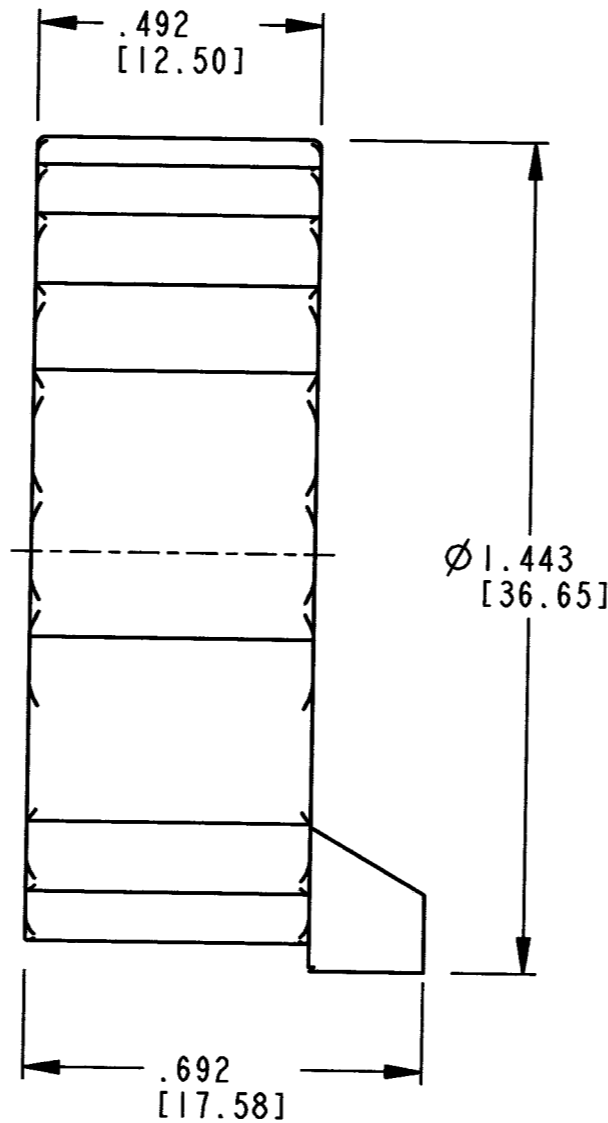


3D VIEW

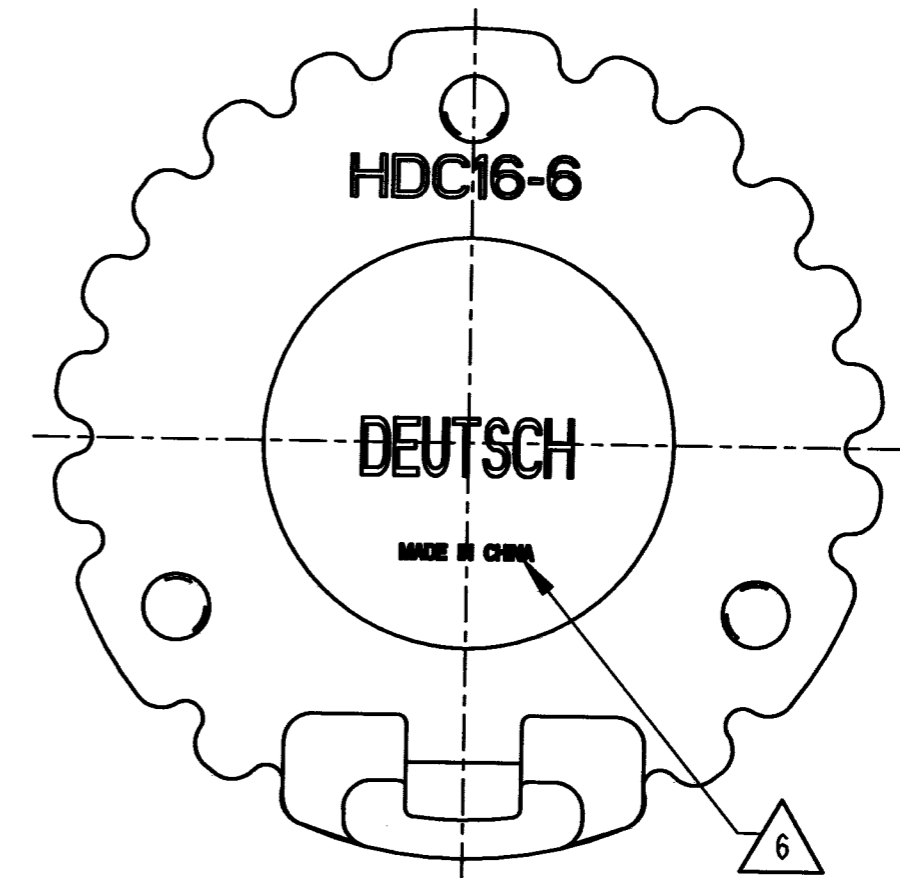


O RING



REV C
HDC16-6

REVISIONS			
SYM	DESCRIPTION	DATE	APPROVED
A	REVISED AND REDRAWN PER E.O. A13795	5/4/92	J.A.
B	REVISED PER E.O. P19206	5/31/06	R.D.R.
C	REVISED PER E.O. P20888	7-7-11	<i>[Signature]</i>



6. COUNTRY OF ORIGIN IF OTHER THAN USA.
EXAMPLE: MADE IN CHINA

5. TOLERANCE $\pm .025$ [.63]

4. COLOR: GRAY.

3. MATERIAL: COVER: PLASTIC; SEAL: RUBBER.

2. THIS PART MATES WITH ALL SIZE 6 HD10 SERIES RECEPTACLES.

NOTES: 1. ALL DIMENSIONS ARE IN INCHES [MILLIMETERS] AND FOR REFERENCE ONLY.

SIGNATURE & DATE	
DR	JNORRIS 29APR92
CHK	<i>[Signature]</i> 7/07/2011
PE	<i>[Signature]</i> 6/7/10
APPD	<i>[Signature]</i> 6/20/11
SCALE	NONE
WT	

PROTECTIVE COVER
FOR SIZE 6
RECEPTACLE
HD10 SERIES

ENVELOPE

EP	MATL. CODE
3850 INDUSTRIAL AVE. HEMET, CA 92545	
B	HDC16-6
DWG SIZE	CODE 11139 SHEET OF