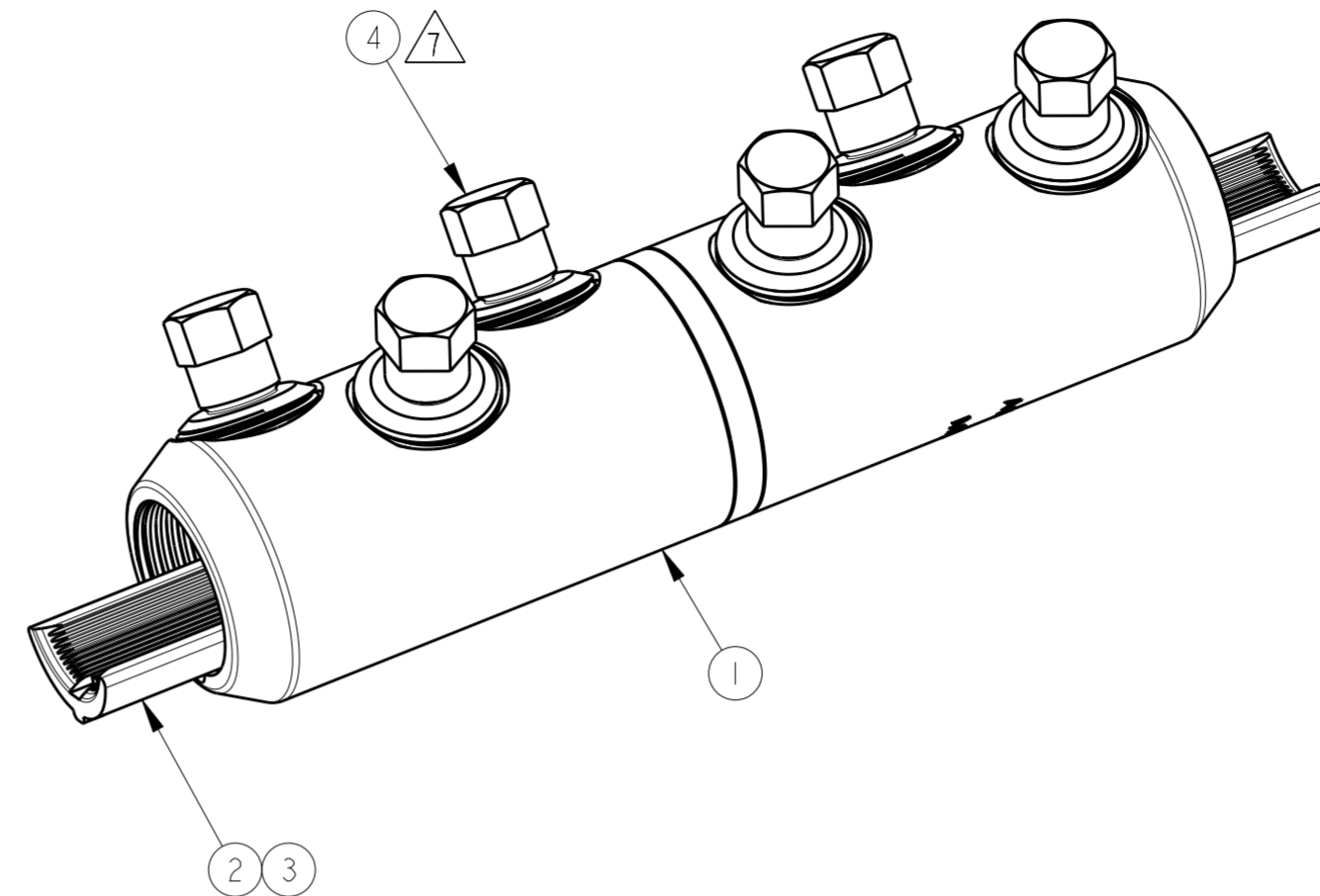
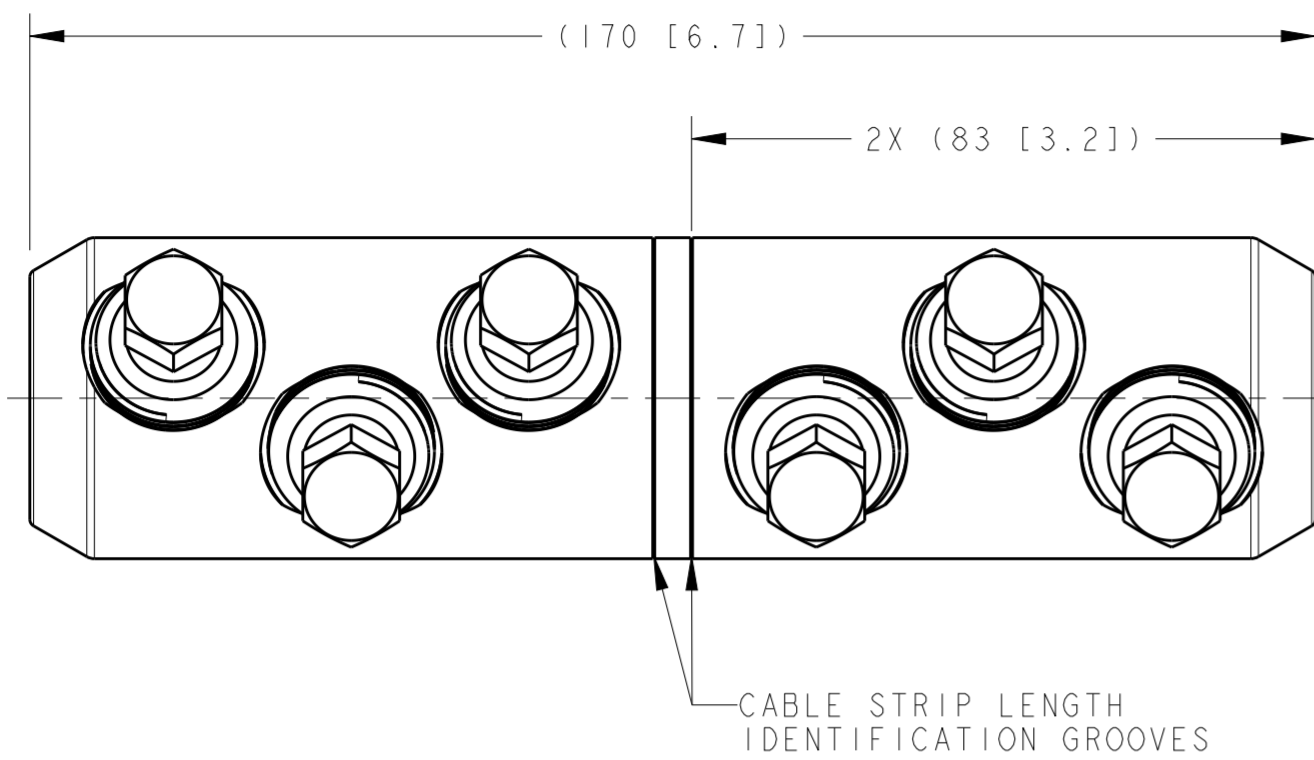


P	LTR	DESCRIPTION	DATE	DWN	APVD
B		LC20-0191-08 / ECO-08-020719	20AUG2008	DM	BJ
BI		LC20-0032-15 / ECO-15-004263	19MAR2015	JG	BJ
C		LC20-0072-20 / ECO-20-010390	23JUL2020	DM	BJ



1. ACCOMMODATES:
350 KCMIL TO 750 KCMIL ALUMINUM
OR COPPER CONDUCTORS.

2. MARKING:
STE
ASBS-350-750
[DATE CODE]
MADE IN [COUNTRY OF ORIGIN]

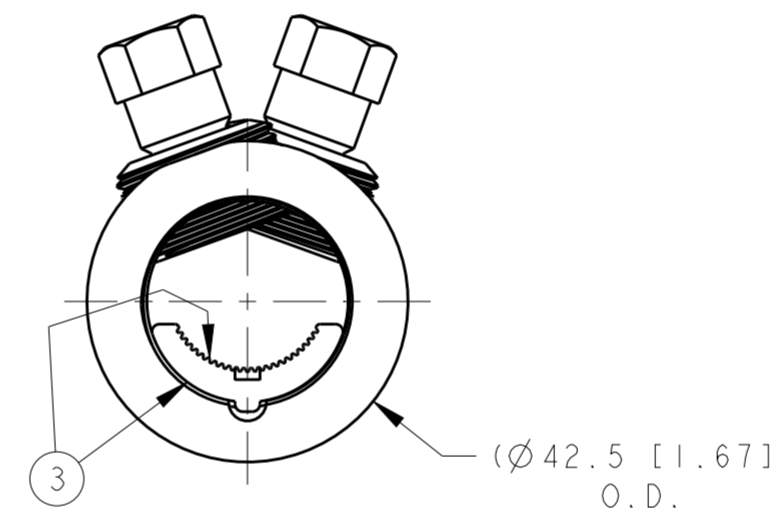
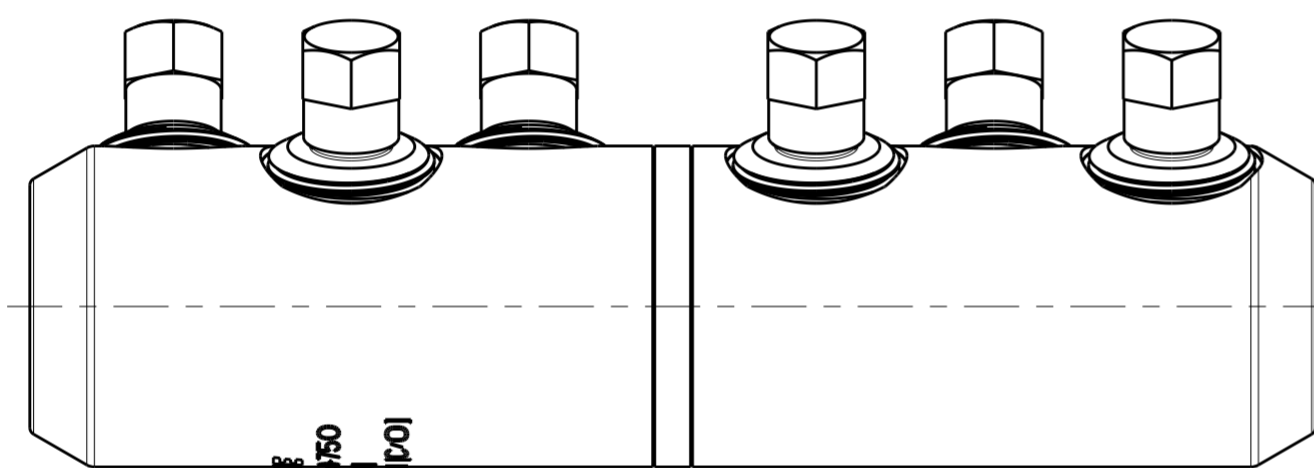
3. ALL DIMENSIONS ARE FOR REFERENCE ONLY.

4. INSERT SHALL BE REMOVED FOR CONDUCTOR SIZES GREATER THAN 600 KCMIL COMPACT STRANDED (.813 [20.6] CONDUCTOR DIAMETER)

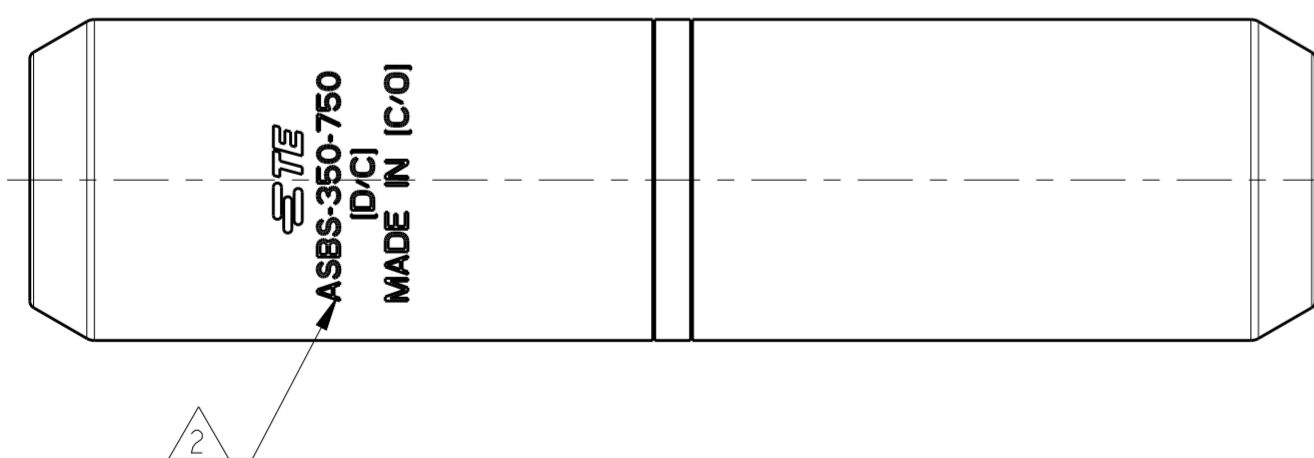
5. CONNECTOR CONTAINS FACTORY APPLIED ANTI-OXIDE INHIBITOR.

6. FINISH:
ELECTRO-TIN PLATED.

7. INSTALL BOLTS WITH 13 mm [1/2 inch] HEX SOCKET.



ASBS-350-750	1099383-1
CATALOG NO	PART NO



QTY	DESCRIPTION	ITEM NO
1	INSTALLATION INSTRUCTION SHEET, 408-8990	6
1	ABRASIVE TAPE, 1X24-120 G	5
6	BOLT, MULTI-SHEAR, M22 SIZE, ALUMINUM	4
A/R	INHIBITOR	3
2	INSERT, SHEARBOLT CONNECTOR, ALUMINUM ALLOY, TIN PLATED	2
1	CONNECTOR SLEEVE BODY, ALUMINUM ALLOY, TIN PLATED	1
- 1	DESCRIPTION	ITEM NO
PARTS LIST		

THIS DRAWING IS A CONTROLLED DOCUMENT.		DWN D. MURUGLAH 12NOV2007	STE TE Connectivity	
DIMENSIONS: mm [INCHES]		CHK A. BULZA 07DEC2007		
TOLERANCES UNLESS OTHERWISE SPECIFIED:		APVD B. JOHNSON 07DEC2007	NAME SHEARBOLT SLEEVE CONNECTOR, ALUM, SOLID OIL STOP, 350 CPT - 750 STD KCMIL	
0 PLC ±		PRODUCT SPEC	SIZE CAGE CODE DRAWING NO	
1 PLC ±		APPLICATION SPEC	A200779 C-1099383	
2 PLC ±		WEIGHT	RESTRICTED TO	
3 PLC ±		CUSTOMER DRAWING	SCALE NTS SHEET OF REV C	
4 PLC ±				
ANGLES ±				
FINISH				
SEE BOM				