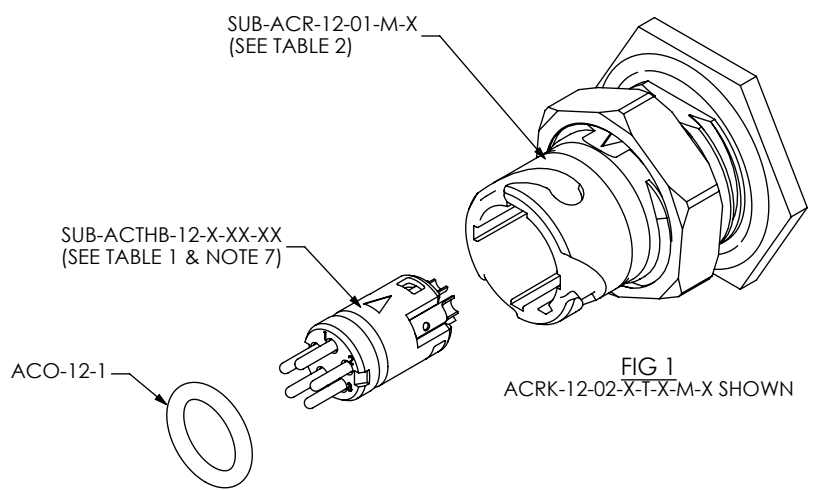


DO NOT SCALE FROM THIS PRINT

DESIGNED & DIMENSIONED IN MILLIMETERS [INCHES]

ACRK-12-XX-X-X-XX-M-X



**LEAD STYLE**  
 -01: 4 POS (1.0 TERM/SKT), 20 - 24 AWG  
 -02: 5 POS (1.0 TERM/SKT), 20 - 24 AWG  
 -03: 6 POS (0.5 TERM/SKT), 26 - 30 AWG  
 -04: 8 POS (0.5 TERM/SKT), 26 - 30 AWG  
 -05: 6 POS COMBO (2x1.0 TERM/SKT), 20 - 24 AWG (4x0.5 TERM/SKT), 26 - 30 AWG

**PLATING**  
 -G: 10µ" GOLD ON CONTACT  
 -H: 30µ" GOLD ON CONTACT

**KEYING FEATURE** (SEE NOTE 3, SEE SHT 2)  
 -1: ORANGE  
 -2: GREEN  
 -3: BLUE  
 -4: YELLOW

**STYLE**  
 -M: METAL

**TERMINATION**  
 -C: SOLDER CUP  
 -B1: .062 BOARD MOUNT

**GENDER**  
 -T: TERMINAL  
 -S: SOCKET

FIG 1  
ACRK-12-02-X-T-X-M-X SHOWN

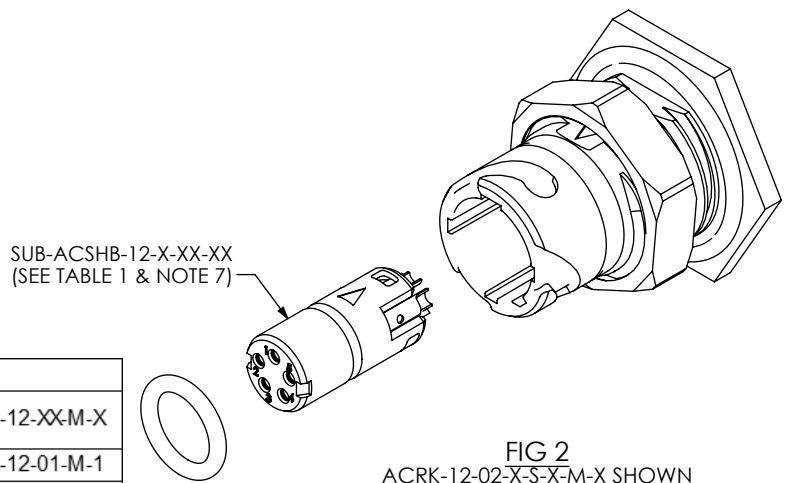


FIG 2  
ACRK-12-02-X-S-X-M-X SHOWN (SAME AS FIG 1, EXCEPT AS SHOWN)

KEYING FEATURE	SUB-ACR-12-XX-M-X
-1	SUB-ACR-12-01-M-1
-2	SUB-ACR-12-01-M-2
-3	SUB-ACR-12-01-M-3
-4	SUB-ACR-12-01-M-4

LEAD STYLES	GENDER	TERMINATION			
		-C: SOLDER CUP		-BX: BOARD MOUNT	
		PLATING		PLATING	
		-G	-H	-G	-H
-01	-T	SUB-ACTHB-12-G-01	SUB-ACTHB-12-H-01	SUB-ACTHB-12-G-01-BX	SUB-ACTHB-12-H-01-BX
-02	-T	SUB-ACTHB-12-G-02	SUB-ACTHB-12-H-02	SUB-ACTHB-12-G-02-BX	SUB-ACTHB-12-H-02-BX
-03	-T	SUB-ACTHB-12-G-03	SUB-ACTHB-12-H-03	SUB-ACTHB-12-G-03-BX	SUB-ACTHB-12-H-03-BX
-04	-T	SUB-ACTHB-12-G-04	SUB-ACTHB-12-H-04	SUB-ACTHB-12-G-04-BX	SUB-ACTHB-12-H-04-BX
-05	-T	SUB-ACTHB-12-G-05	SUB-ACTHB-12-H-05	SUB-ACTHB-12-G-05-BX	SUB-ACTHB-12-H-05-BX
-01	-S	SUB-ACSHB-12-G-01	SUB-ACSHB-12-H-01	SUB-ACSHB-12-G-01-BX	SUB-ACSHB-12-H-01-BX
-02	-S	SUB-ACSHB-12-G-02	SUB-ACSHB-12-H-02	SUB-ACSHB-12-G-02-BX	SUB-ACSHB-12-H-02-BX
-03	-S	SUB-ACSHB-12-G-03	SUB-ACSHB-12-H-03	SUB-ACSHB-12-G-03-BX	SUB-ACSHB-12-H-03-BX
-04	-S	SUB-ACSHB-12-G-04	SUB-ACSHB-12-H-04	SUB-ACSHB-12-G-04-BX	SUB-ACSHB-12-H-04-BX
-05	-S	SUB-ACSHB-12-G-05	SUB-ACSHB-12-H-05	SUB-ACSHB-12-G-05-BX	SUB-ACSHB-12-H-05-BX

- NOTES:
- ⊗ REPRESENTS A CRITICAL DIMENSION.
  - KITS TO BE PACKAGED & SHIPPED IN TRAYS. SEE SHT 4.
  - KEYING FEATURE DETERMINES COLOR OF KEY RING AND DUSTCAP LANYARD IF APPLICABLE.
  - REFER TO DCA-ACR-12-M-X PRINT FOR DUST CAP.
  - PANEL THICKNESS RANGE: 0.80[0.031] - 5.20[0.205]
  - TORQUE SPECIFICATION FOR PANEL NUT: 1.7Nm[15.00 IN-LB] - 2.3Nm[20.00 IN-LB].
  - RECOMMENDED INSERTION TOOL: CAT-AC-12-M.
  - PLACE HDRL-07 (LABEL) ON TRAY WHERE SHOWN. LABEL TO HAVE THE FOLLOWING PRINTED IN ARIAL FONT SIZE 9:  
 LINE 1 - "FOR ASSEMBLY INSTRUCTIONS SEE"  
 LINE 2 - "WWW.SAMTEC.COM/ACRKFIT"  
 LINE 3 - PART NUMBER "ACRK-12-XX-X-X-XX-M-X"  
 LINE 4 - SHOP ORDER NUMBER "XXXXXXX"

UNLESS OTHERWISE SPECIFIED, DIMENSIONS ARE IN MILLIMETERS. TOLERANCES ARE:  
 DECIMALS ANGLES  
 X.X: ±0.3 [.01] 2°  
 X.XX: ±0.13 [.005]  
 X.XXX: ±0.051 [.0020]

**PROPRIETARY NOTE**  
 THIS DOCUMENT CONTAINS INFORMATION CONFIDENTIAL AND PROPRIETARY TO SAMTEC, INC. AND SHALL NOT BE REPRODUCED OR TRANSFERRED TO OTHER DOCUMENTS OR DISCLOSED TO OTHERS OR USED FOR ANY PURPOSE OTHER THAN THAT WHICH IT WAS OBTAINED WITHOUT THE EXPRESSED WRITTEN CONSENT OF SAMTEC, INC.

**MATERIAL:**  
 SHELL: ZAMAK 3  
 INSULATOR: PBT, COLOR: BLACK  
 O-RING: NITRILE  
 NUT: BRASS  
 COLOR RING: SILICONE  
 TERMINALS: BRASS  
 CONTACTS: BRASS/BeCu

DO NOT SCALE DRAWING SHEET SCALE: 3:2

520 PARK EAST BLVD, NEW ALBANY, IN 47150  
 PHONE: 812.944.6733 FAX: 812.948.5047  
 e-Mail: info@SAMTEC.com code 53322

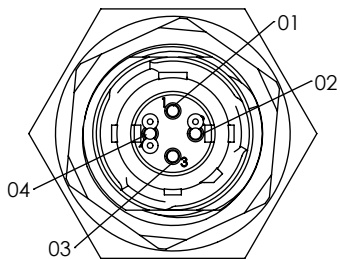
DESCRIPTION:  
 ACCLIMATE CIRC. FIELD TERM. KIT

DWG. NO.  
 ACRK-12-XX-X-X-XX-M-X

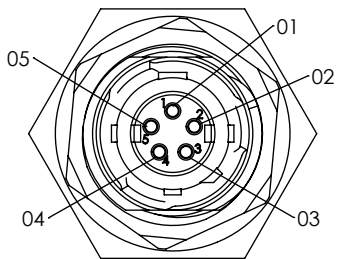
BY: D.SCHMELZ 1/18/2011 SHEET 1 OF 4

-T END OPTIONS

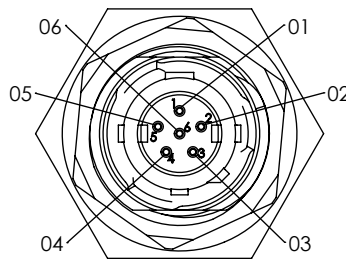
-01: 4 POS  
Ø 1.0 TERMINALS



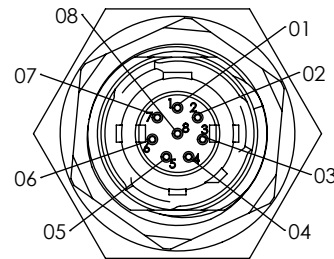
-02: 5 POS  
Ø 1.0 TERMINALS



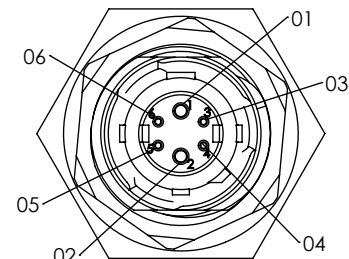
-03: 6 POS  
Ø 0.5 TERMINALS



-04: 8 POS  
Ø 0.5 TERMINALS

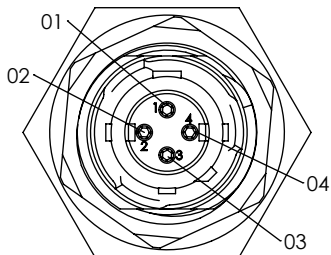


-05: 6 POS COMBO  
2x Ø 1.0 TERMINALS  
4x Ø 0.5 TERMINALS

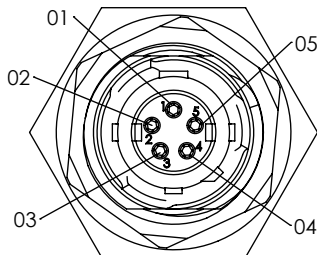


-S END OPTIONS

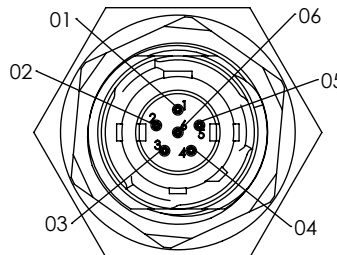
-01: 4 POS  
Ø 1.0 SOCKETS



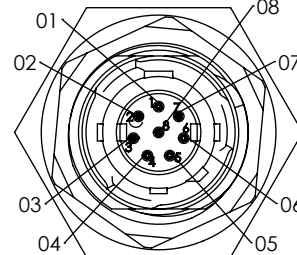
-02: 5 POS  
Ø 1.0 SOCKETS



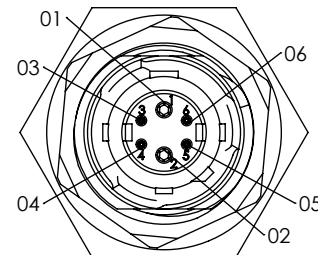
-03: 6 POS  
Ø 0.5 SOCKETS



-04: 8 POS  
Ø 0.5 SOCKETS

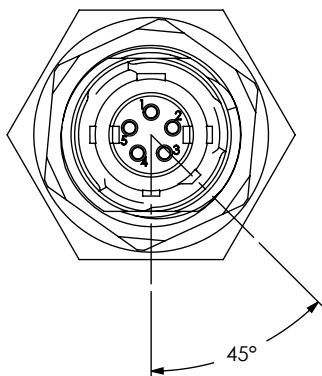


-05: 6 POS COMBO  
2x Ø 1.0 SOCKETS  
4x Ø 0.5 SOCKETS

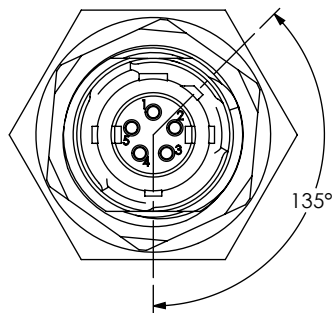


KEYING OPTIONS  
(SEE NOTE 3)

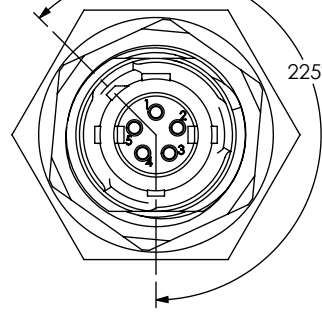
-1  
ORANGE KEY RING



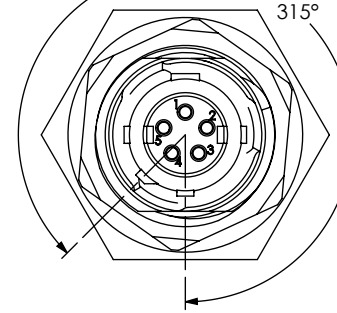
-2  
GREEN KEY RING



-3  
BLUE KEY RING



-4  
YELLOW KEY RING



PROPRIETARY NOTE

THIS DOCUMENT CONTAINS INFORMATION CONFIDENTIAL AND PROPRIETARY TO SAMTEC, INC. AND SHALL NOT BE REPRODUCED OR TRANSFERRED TO OTHER DOCUMENTS OR DISCLOSED TO OTHERS OR USED FOR ANY PURPOSE OTHER THAN THAT WHICH IT WAS OBTAINED WITHOUT THE EXPRESSED WRITTEN CONSENT OF SAMTEC, INC.

DO NOT SCALE DRAWING

SHEET SCALE: 3:2



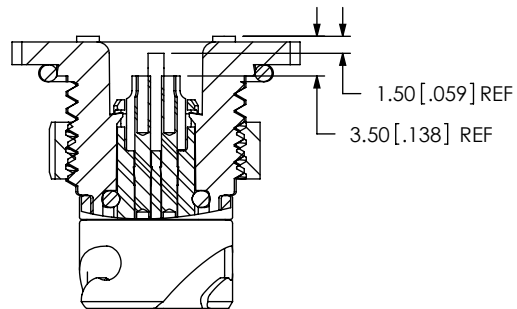
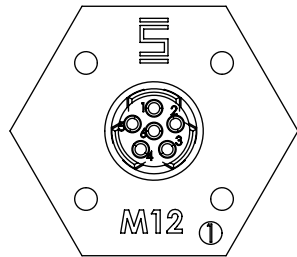
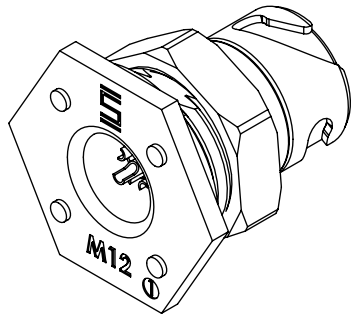
520 PARK EAST BLVD, NEW ALBANY, IN 47150  
PHONE: 812-944-6733 FAX: 812-948-5047  
e-Mail info@SAMTEC.com code 55322

DESCRIPTION: ACCLIMATE CIRC. FIELD TERM. KIT

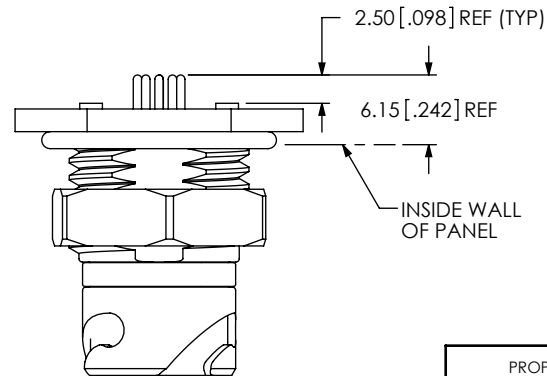
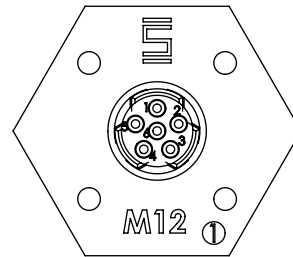
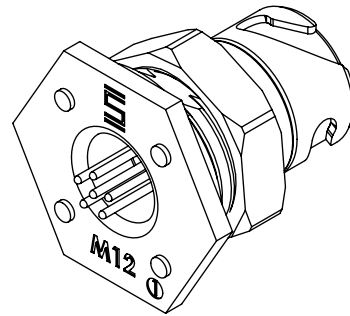
DWG. NO. ACRK-12-XX-X-X-XX-M-X

BY: D.SCHMELZ 1/18/2011 SHEET 2 OF 4

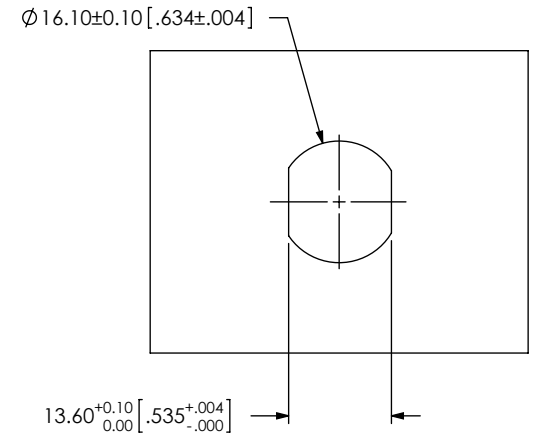
-C: SOLDER CUP  
ACRK-12-03-X-S-C-M-T SHOWN



-B1: BOARD MOUNT  
ACRK-12-03-X-S-B1-M-T SHOWN



RECOMMENDED PANEL OPENING  
(SEE NOTE 5)



**PROPRIETARY NOTE**  
THIS DOCUMENT CONTAINS INFORMATION CONFIDENTIAL AND PROPRIETARY TO SAMTEC, INC. AND SHALL NOT BE REPRODUCED OR TRANSFERRED TO OTHER DOCUMENTS OR DISCLOSED TO OTHERS OR USED FOR ANY PURPOSE OTHER THAN THAT WHICH IT WAS OBTAINED WITHOUT THE EXPRESSED WRITTEN CONSENT OF SAMTEC, INC.

DO NOT SCALE DRAWING

SHEET SCALE: 3:2

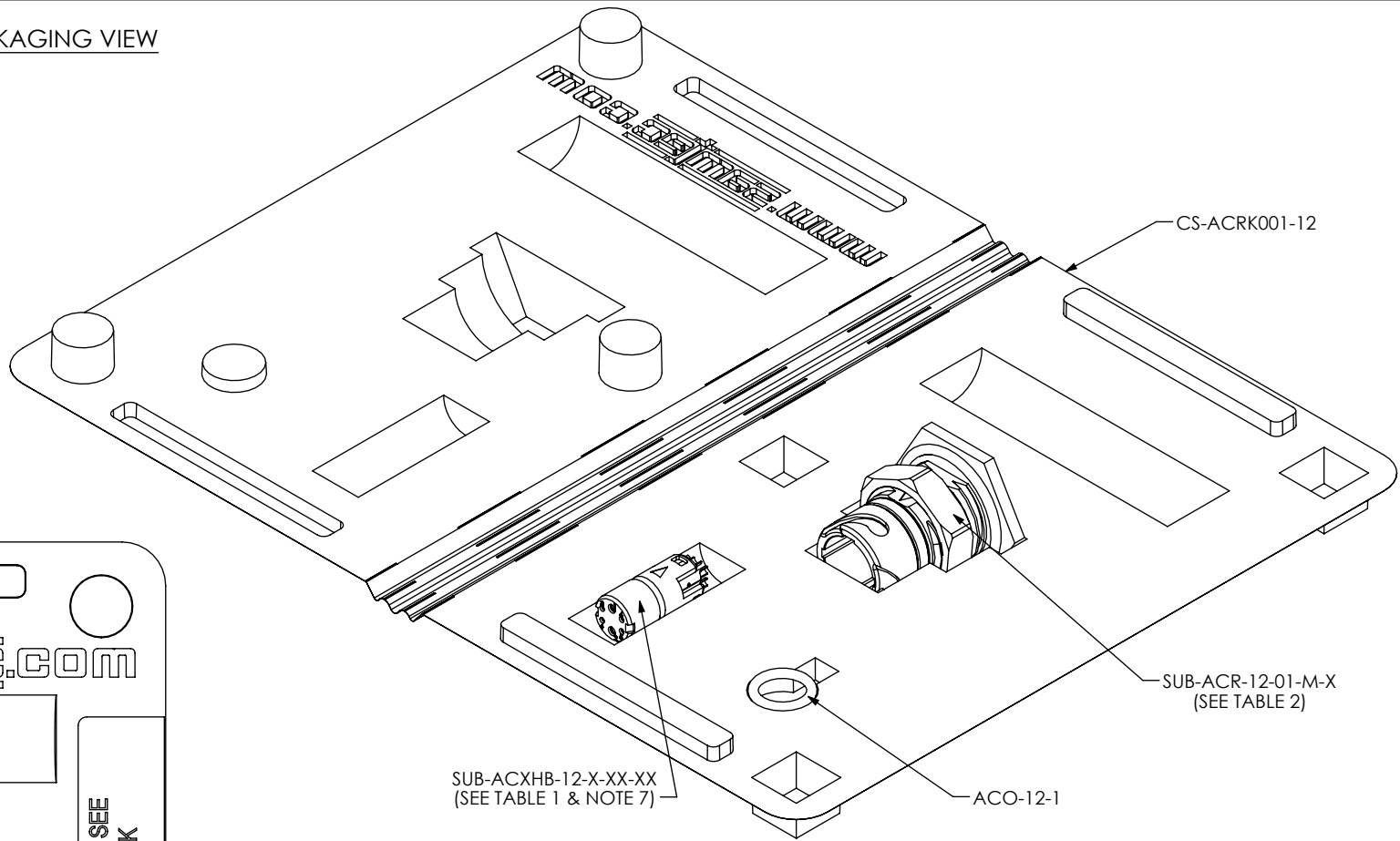
**samtec**

520 PARK EAST BLVD, NEW ALBANY, IN 47150  
PHONE: 812-944-6733 FAX: 812-948-5047  
e-Mail: info@SAMTEC.com code 55322

DESCRIPTION: ACCLIMATE CIRC. FIELD TERM. KIT

DWG. NO. ACRK-12-XX-X-X-XX-M-X

BY: D.SCHMELZ 1/18/2011 SHEET 3 OF 4




www.samtec.com

FOR ASSEMBLY INSTRUCTIONS SEE  
WWW.SAMTEC.COM/ACRKFTK

HDRL-07 (SEE NOTE 8)  
(LINE 3 & 4 NOT SHOWN DUE TO LABEL  
WRAPPING AROUND THE CLAM SHELL)

25.40 [1.000] REF

<p><b>PROPRIETARY NOTE</b> THIS DOCUMENT CONTAINS INFORMATION CONFIDENTIAL AND PROPRIETARY TO SAMTEC, INC. AND SHALL NOT BE REPRODUCED OR TRANSFERRED TO OTHER DOCUMENTS OR DISCLOSED TO OTHERS OR USED FOR ANY PURPOSE OTHER THAN THAT WHICH IT WAS OBTAINED WITHOUT THE EXPRESSED WRITTEN CONSENT OF SAMTEC, INC.</p> <p>DO NOT SCALE DRAWING</p> <p>SHEET SCALE: 1:1</p>		
	<p>520 PARK EAST BLVD, NEW ALBANY, IN 47150 PHONE: 812-944-6733 FAX: 812-948-5047 e-Mail: info@SAMTEC.com code 55322</p>	
	<p>DESCRIPTION: ACCLIMATE CIRC. FIELD TERM. KIT</p>	
	<p>DWG. NO. <b>ACRC-12-XX-X-X-XX-M-X</b></p>	
<p>BY: D.SCHMELZ 1/18/2011</p>		<p>SHEET 4 OF 4</p>