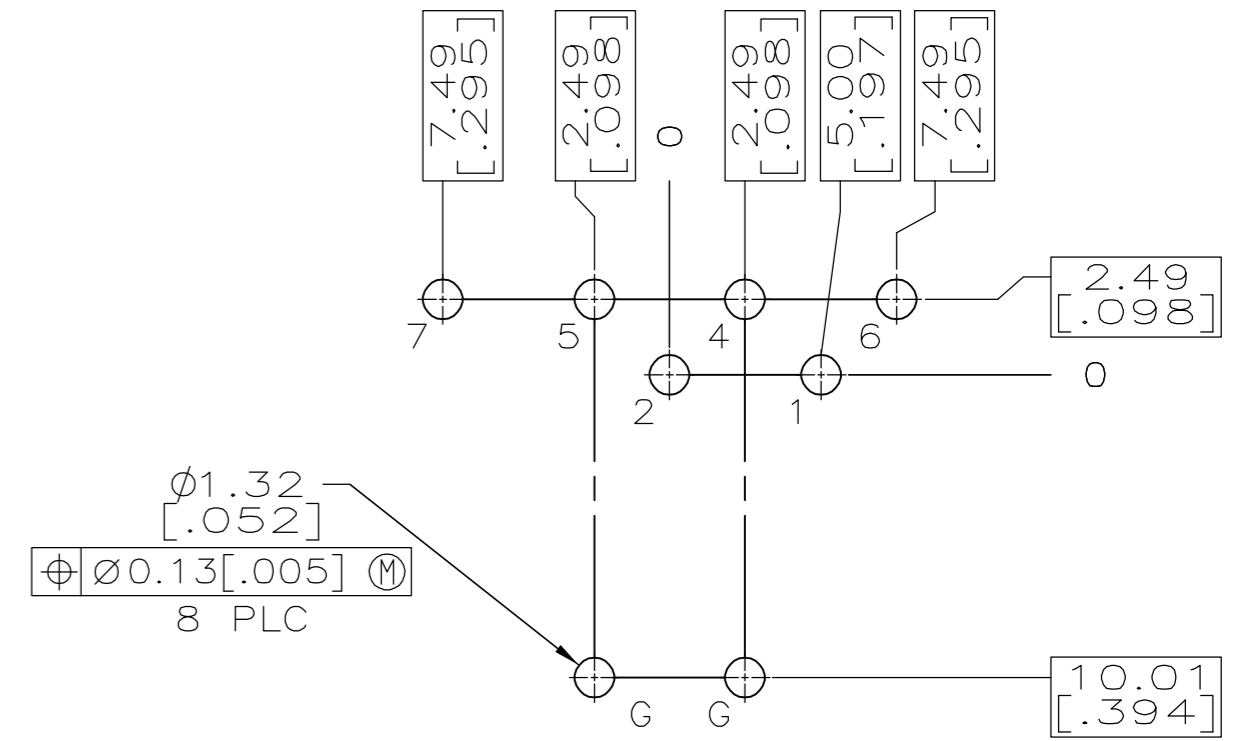
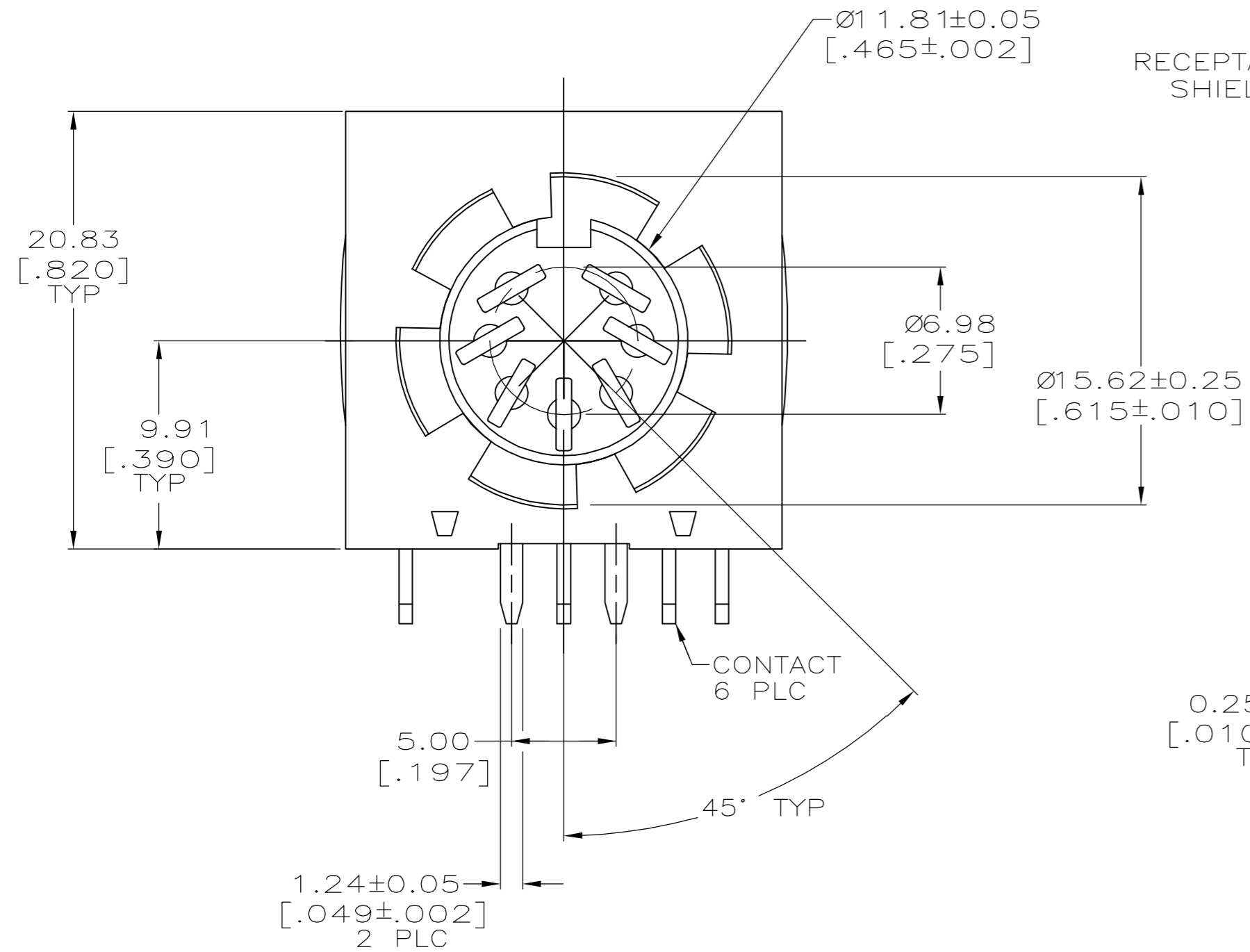
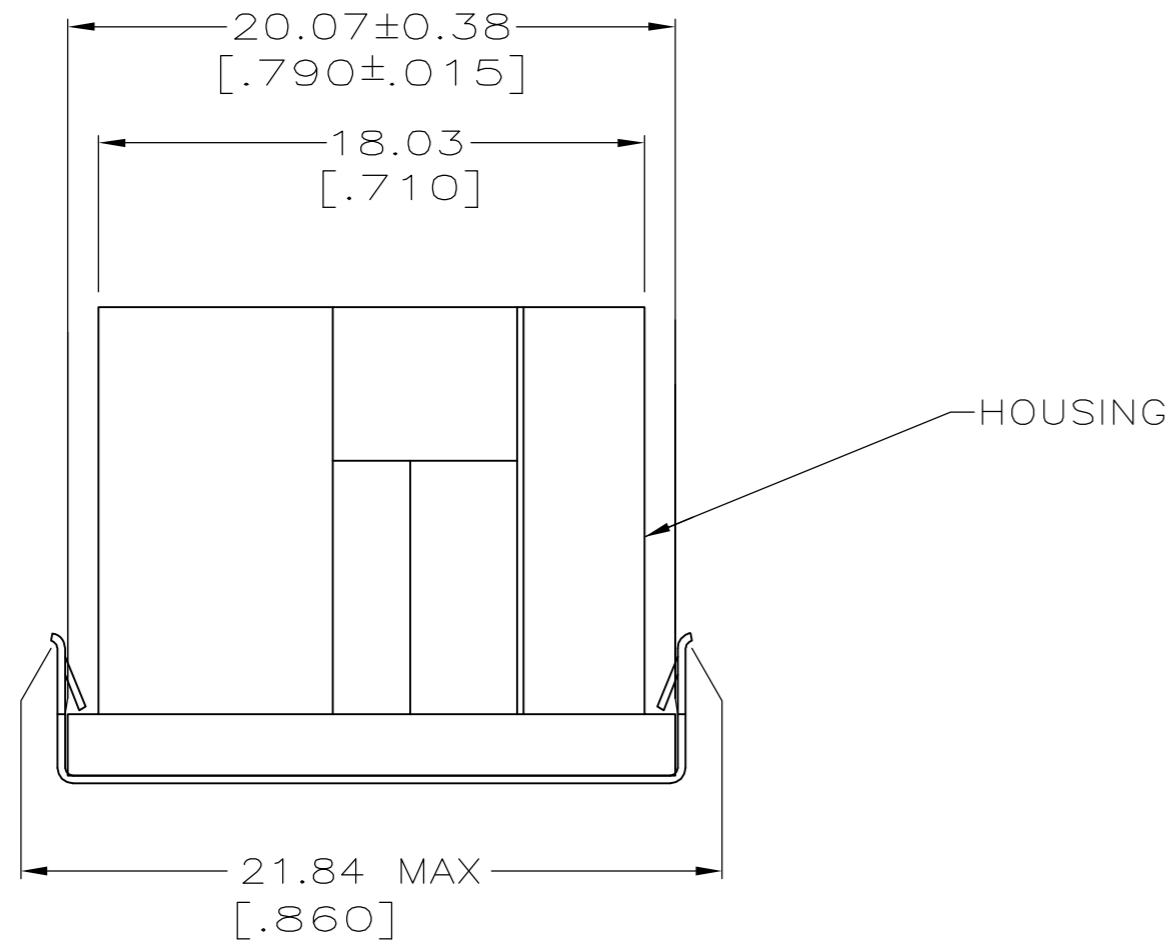


THIS DRAWING IS UNPUBLISHED. RELEASED FOR PUBLICATION
 © COPYRIGHT BY TYCO ELECTRONICS CORPORATION. ALL RIGHTS RESERVED.

| LOC | DIST | REVISIONS | | | |
|-----|------|---------------------------|---------|-----|------|
| P | LTR | DESCRIPTION | DATE | DWN | APVD |
| GP | 00 | | | | |
| | 01 | REVISED PER ECO-07-008008 | 10APR07 | JDP | CWR |



RECOMMENDED PC BOARD LAYOUT AND CIRCUIT IDENTIFICATION

- 1 HOUSING: NYLON, UL 94V-0 RATED, BLACK.
- 2 CONTACT AND RCPT SHIELD: 2.54µm [.000100] MIN TIN OVER 1.27µm [.000050] MIN NICKEL.
- 3. CIRCUIT 3 IS WITHOUT CONTACT.
- 4 CONTACT AND RECEPTACLE SHIELD: BRASS.

| | | | | |
|-----------------------------------------------------------------------------------------------------------------------------------------------------------------------|--|------------------------------------------------------------------------------------------------------------------------|-------------------------------------------------------------------------------------------------------------------------------------------------------|-----------------------|
| THIS DRAWING IS A CONTROLLED DOCUMENT. | | DWN L. VARELA - DOCK5 11-12-04 | Tyco Electronics Corporation Harrisburg, PA 17105-3608 | |
| DIMENSIONS: mm [INCHES] TOLERANCES UNLESS OTHERWISE SPECIFIED: 0 PLC ± - 1 PLC ± - 2 PLC ± 0.13 [.005] 3 PLC ± - 4 PLC ± - ANGLES ± 2° FINISH | | CHK C. ROHDE 11-12-04 APVD M. WALMSLEY 11-12-04 PRODUCT SPEC 108-10047 APPLICATION SPEC 114-40025 WEIGHT - | NAME RECEPTACLE ASSEMBLY, RIGHT ANGLE, 7 POSITION, SHIELDED, CIRCULAR DIN SIZE A2 CAGE CODE 00779 DRAWING NO C=5788133 RESTRICTED TO - | PART NUMBER 5788133-1 |
| MATERIAL 1 4 FINISH 2 | | CUSTOMER DRAWING | SCALE 4:1 | SHEET 1 of 1 REV 01 |

5788133