

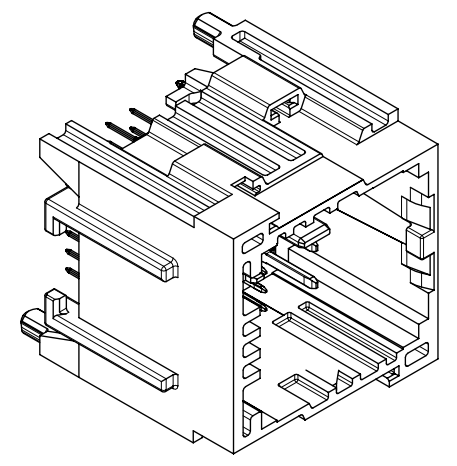
DETAIL A

KEY 1
PART NO. 2005010321

SEE NOTE 3g

| PART NUMBER | KEY | COLOR | TERMINAL QUANTITIES | |
|-------------|-----|-----------|---------------------|-------|
| | | | 0.5mm | 1.2mm |
| 2005010321 | 1 | BLACK | 28 | 4 |
| 2005010322 | 2 | BLUE | | |
| 2005010323 | 3 | DARK GRAY | | |
| 2005010324 | 4 | PURPLE | | |

FOUR (4) KEYS AVAILABLE
SEE INTERFACE DRAWING
SD-160028-002 FOR DEFINITION



NOTES: VALID UNLESS OTHERWISE SPECIFIED
 1. GENERAL:
 a. APPLICATION SPECIFICATION 2005060000-AS
 b. PRODUCT SPECIFICATION 2005060001-PS
 CLASSIFICATIONS T1V1S1 TO GMW 3191 2012
 DEGREE OF PROTECTION IP40 TO ISO 20653 WITH MOLEX MATING CONNECTOR
 c. PACKAGING SPECIFICATION PER MOLEX DRAWING

2. DESIGN - MATERIALS:
 a. HOUSING: SPS 30% GF
 b. BLADE TERMINALS:
 1. 0.5MM BLADES
 BASE MATERIAL: COPPER ALLOY
 CONDUCTIVITY ≥ 28% IACS @ 20°C
 UNDERPLATE: OVERALL NICKEL
 OVERPLATE: OVERALL TIN
 2. 1.2MM BLADES
 BASE MATERIAL: COPPER ALLOY
 CONDUCTIVITY ≥ 28% IACS @ 20°C
 UNDERPLATE: OVERALL NICKEL
 OVERPLATE: OVERALL TIN

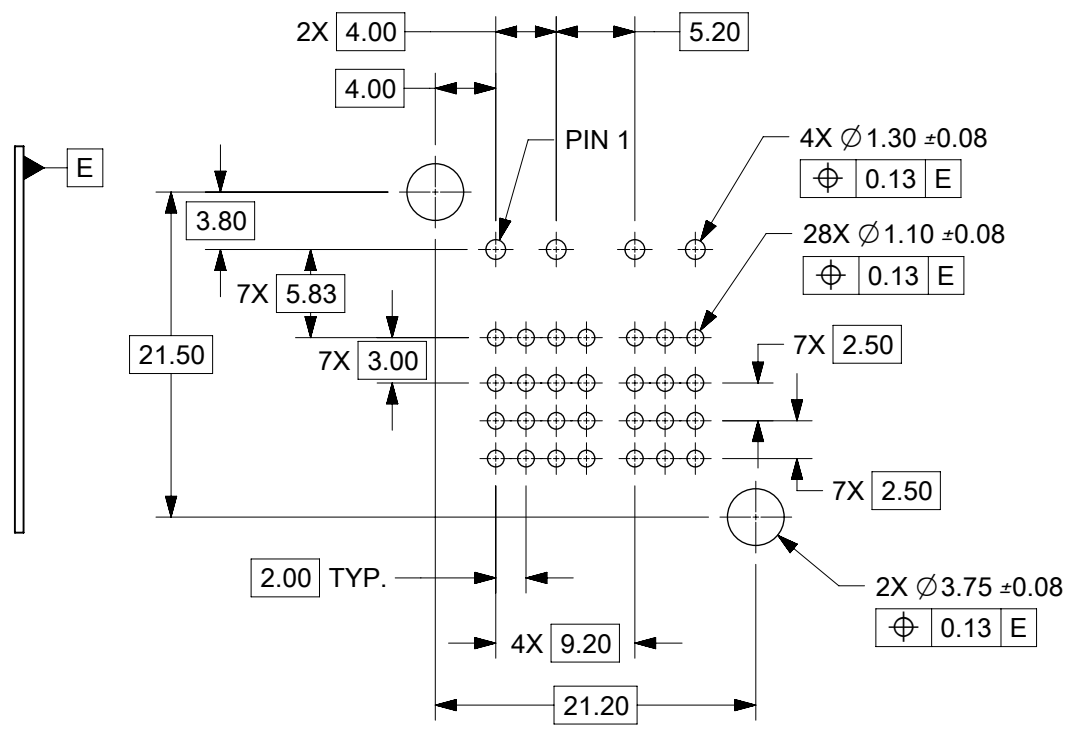
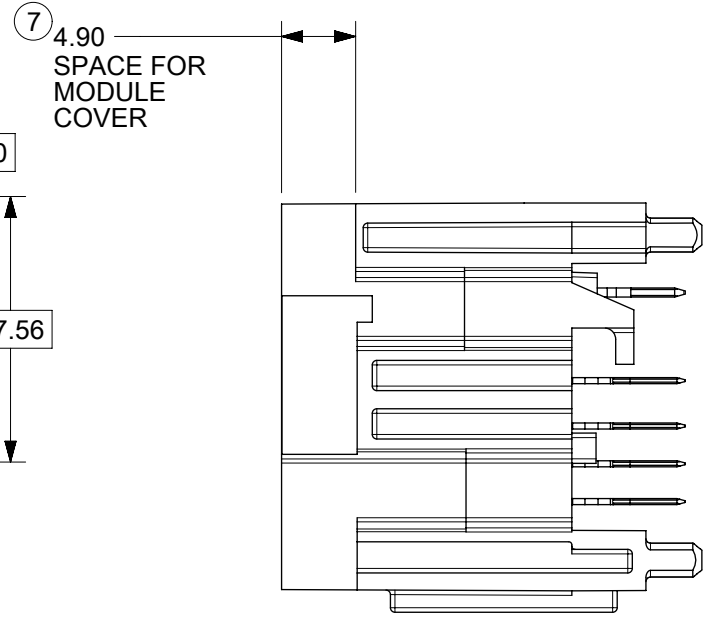
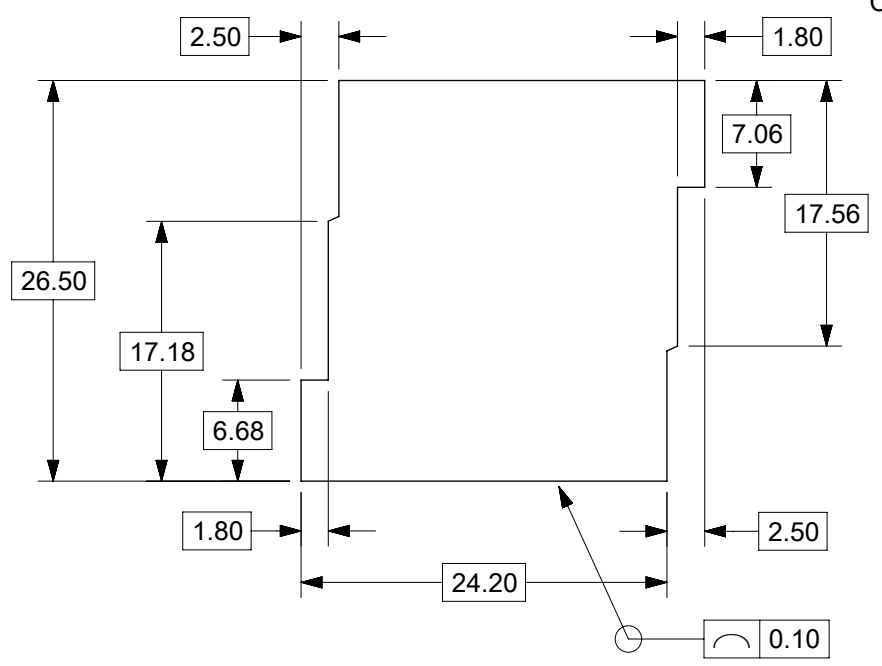
3. DESIGN - GEOMETRY:
 a. ALL GRAPHIC DATA IS BASIC (NO TOLERANCE) AND MUST BE TAKEN FROM THE DATA FILE AT ITS LATEST REVISION.
 b. PRODUCT DESIGN MODEL NUMBER 2005010320
 c. GEOMETRIC DIMENSIONS AND TOLERANCES PER ASME Y14.5-2009
 d. EDGES AND UNDIMENSIONED DETAILS PER ISO13715
 e. CORNERS SHOWN AS SHARP TO BE R 0.4 MAX.
 f. LETTERING SHALL BE MAX POSSIBLE FOR READABILITY.
 THIS INCLUDES RECYCLING CODE, CAVITY ID, VENDOR IDENTIFICATION, AND CUSTOMER MATERIAL NUMBER.
 g. FOR BAY/POCKET DEFINITION SEE MOLEX INTERFACE DRAWING SD-160028-002
 h. MATING HARNESS CONNECTORS MOLEX PN:
 1600280001 (KEY 1)
 1600280002 (KEY 2)
 1600280003 (KEY 3)
 1600280004 (KEY 4)

4. DESIGN - MANUFACTURING:
 a. VISUAL DEFECTS SHALL MEET COSMETIC STANDARD PS-45499-002 (CLASS B)
 b. REFLOW SOLDERABILITY PER SMES-152

| |
|-------------------------------|
| INSPECTION BALLOON NUMBER LOG |
| PER DRAWING REVISION: C1 |
| LAST BALLOON NUMBER: 11B |
| ADDED BALLOON NUMBER: NONE |
| DELETED BALLOON NUMBER: NONE |

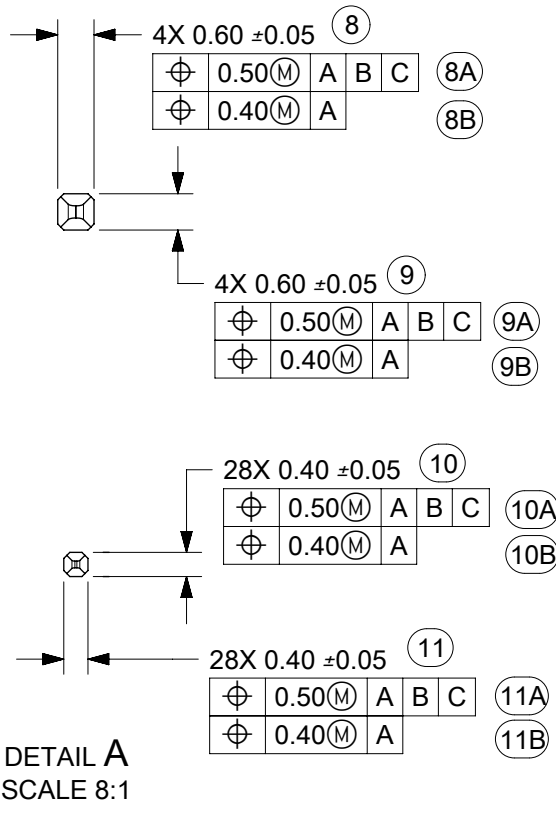
| | | | | | | | | | | | | | | | | | | | | | | | |
|--|--|--------|--|--------------------------------------|--|--------------|--|-----|--|---|--|----------|--|--------------|--|-----------------|--|----------|--|----------|--|----------|--|
| FUNCTIONAL SYMBOLS | | | | | | | | | | THIS DRAWING CONTAINS INFORMATION THAT IS PROPRIETARY TO MOLEX ELECTRONIC TECHNOLOGIES, LLC AND SHOULD NOT BE USED WITHOUT WRITTEN PERMISSION | | | | | | | | | | | | | |
| DIMENSION UNITS | | SCALE | | CURRENT REV DESC: SEE REVISION SHEET | | | | | | | | | | | | | | | | | | | |
| mm | | 2:1 | | | | | | | | | | | | | | | | | | | | | |
| GENERAL TOLERANCES (UNLESS SPECIFIED) | | | | | | | | | | EC NO: 639277 | | | | | | | | | | | | | |
| ANGULAR TOL ± ° | | | | | | | | | | DRWN: YPENG47 | | | | | | | | | | | | | |
| 4 PLACES ± 0.0 | | | | | | | | | | 2020/02/17 | | | | | | | | | | | | | |
| 3 PLACES ± 0.0 | | | | | | | | | | CHK'D: JRUTTER | | | | | | | | | | | | | |
| 2 PLACES ± 0.13 | | | | | | | | | | 2020/06/22 | | | | | | | | | | | | | |
| 1 PLACE ± 0.25 | | | | | | | | | | APPR: JCONDON | | | | | | | | | | | | | |
| 0 PLACES ± 0.0 | | | | | | | | | | 2020/06/23 | | | | | | | | | | | | | |
| DRAFT WHERE APPLICABLE MUST REMAIN WITHIN DIMENSIONS | | | | | | | | | | THIRD ANGLE PROJECTION | | DRAWING | | SERIES | | DOCUMENT NUMBER | | DOC TYPE | | DOC PART | | REVISION | |
| | | B-SIZE | | 200501 | | 2005011320SD | | PSD | | 000 | | C1 | | | | | | | | | | | |
| | | | | | | | | | | MATERIAL NUMBER | | CUSTOMER | | SHEET NUMBER | | | | | | | | | |
| | | | | | | | | | | | | | | 1 OF 2 | | | | | | | | | |

RECOMMENDED MODULE OPENING TO PASS ISO 20653 IP40



PCB LAYOUT FOR REFERENCE

FOR SINGLE-BAY HEADER ONLY
FOR MULTIPLE-BAY STACKED HEADER SEE DRAWING 2005050000



DETAIL A SCALE 8:1

| | |
|----------|--|
| C1 | ADDED PCB HOLE DIMENSIONAL & POSITIONAL TOLERANCE 10-JUNE-2020 YPENG47 ECN:639277 |
| REVISION | DESCRIPTION |

| | | | | | |
|--------------------|---|--|--------------------------------------|------------|--------------------------|
| FUNCTIONAL SYMBOLS | THIS DRAWING CONTAINS INFORMATION THAT IS PROPRIETARY TO MOLEX ELECTRONIC TECHNOLOGIES, LLC AND SHOULD NOT BE USED WITHOUT WRITTEN PERMISSION | | CURRENT REV DESC: SEE REVISION SHEET | | |
| | DIMENSION UNITS | SCALE | EC NO: 639277 | | |
| $\sqrt{A} = 0$ | mm | 1:1 | DRWN: YPENG47 | 2020/02/17 | PRODUCT CUSTOMER DRAWING |
| $\sqrt{E} = 0$ | GENERAL TOLERANCES (UNLESS SPECIFIED) | | CHK'D: JRUTTER | 2020/06/22 | |
| $\sqrt{V} = 0$ | ANGULAR TOL ± ° | | APPR: JCONDON | 2020/06/23 | 2005011320SD |
| DIVISIONAL SYMBOLS | 4 PLACES | ± 0.0 | INITIAL REVISION: | | |
| | 3 PLACES | ± 0.0 | DRWN: JRUTTER | 2015/07/23 | DOC PART |
| | 2 PLACES | ± 0.13 | APPR: RBAUMAN | 2016/08/22 | REVISION |
| 1 PLACE | ± 0.25 | DRAFT WHERE APPLICABLE MUST REMAIN WITHIN DIMENSIONS | | 200501 | C1 |
| 0 PLACES | ± 0.0 | THIRD ANGLE PROJECTION | DRAWING | SERIES | MATERIAL NUMBER |
| | | | B-SIZE | 200501 | CUSTOMER |
| | | | | | SHEET NUMBER |
| | | | | | 2 OF 2 |