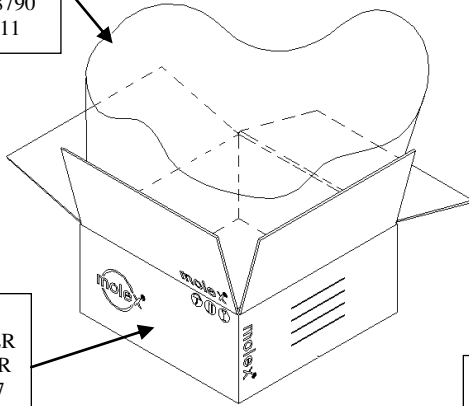




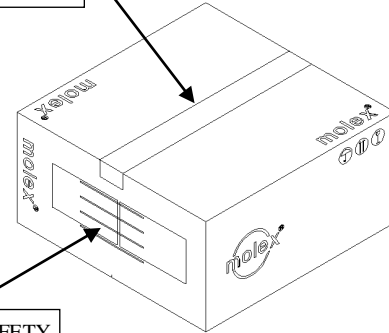
# PACKAGING SPECIFICATION

LINER BAG PART  
NUMBER 31300-8790  
PER ES-40000-7011



CARTON  
PART NUMBER  
96707-0014 PER  
ES-40000-7007

ADHESIVE TAPE PER  
ES-40000-7013



PRODUCT ID AND SAFETY  
LABEL PER ES-40000-7012

- 1) CARTON BOTTOMS CLOSED WITH STAPLES, TOPS TO BE SEALED WITH A 2" WIDE ADHESIVE TAPE.
- 2) USE PRESCRIBED BOX AND LINER BAG PER CHART BELOW. BAG MUST BE SEALED WITH KWIK LOK YPG PLAIN SEAL OR EQUIVALENT.
- 3) MOISTURIZATION ON PARTS WHEN NOTED. DEIONIZED WATER APPROXIMATELY, 2% BY WEIGHT PER BAG.

ENGINEERING NO.	PARTS PER CARTON	MOISTURIZE (SEE NOTE 3)
42191-2P*	2,000	NO
42191-2R*	3,000	NO
42191-3P1*	2,000	NO
42191-3R1*	2,700	NO
42191-3R3*	2,000	NO

REVISION: <b>A</b>	ECM INFORMATION: ECM No: <b>108502</b> DATE: <b>2016-09-15</b>	TITLE: <b>BULK PACKAGING SPECIFICATION FOR 42191 SERIES</b>	SHEET No. <b>1 of 1</b>
DOCUMENT NUMBER: <b>421910000-PK</b>	CREATED / REVISED BY: <b>BAPPELDORN</b>	CHECKED BY: <b>MKIPPER</b>	APPROVED BY: <b>FSMITH</b>