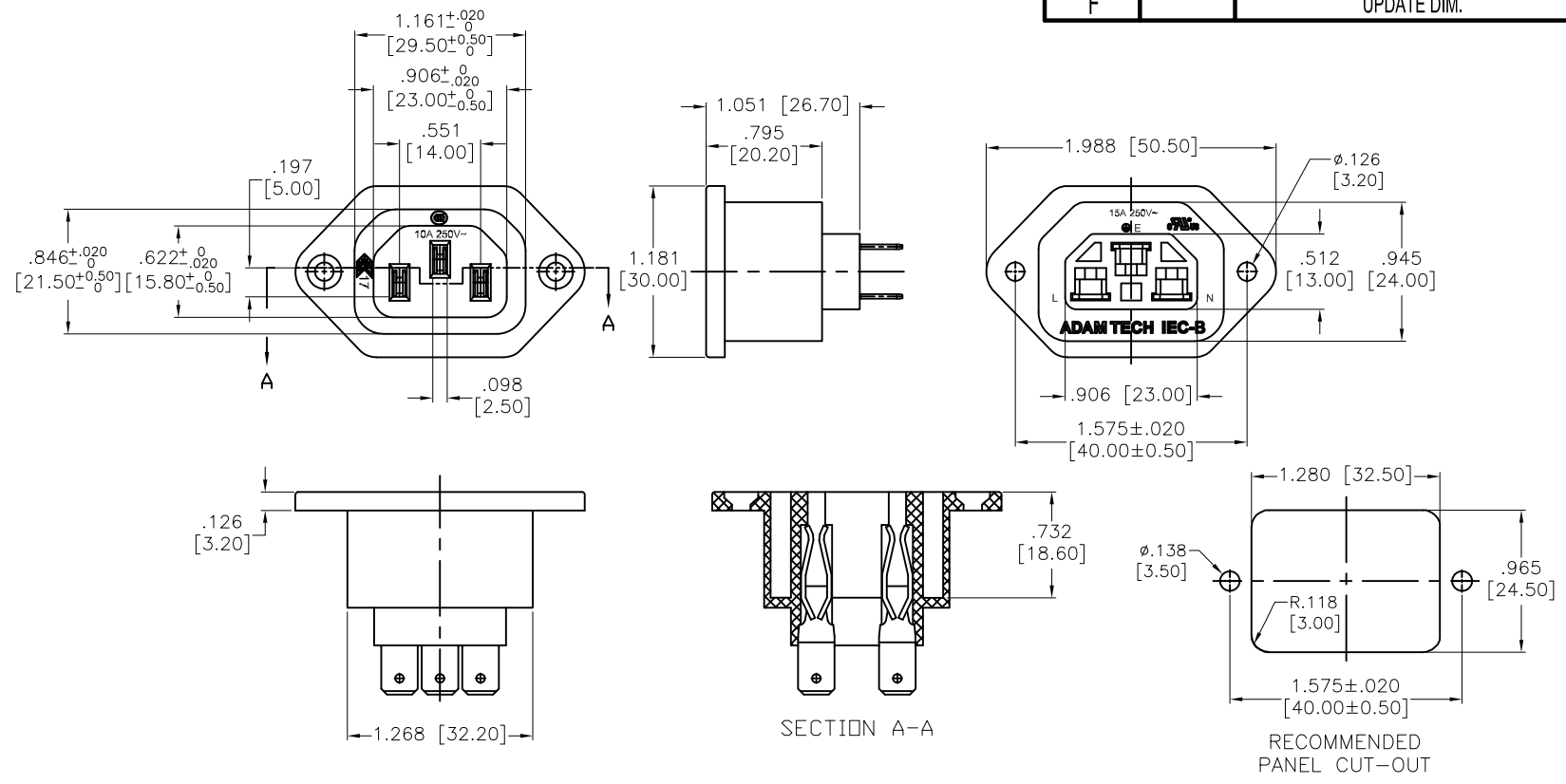


APPROVED: \_\_\_\_\_  
 DATE: \_\_\_\_\_ TITLE: \_\_\_\_\_

Rev	AWO #	Description	Date	Appr
-		RELEASED	6/17/05	
A		REDRAWN	9/19/11	
B		REDRAWN	4/30/13	
C		REDRAWN	12/31/13	AY/GC
D		UPDATE INSULATOR SPEC.	8/24/16	AY/CH
E		REMOVED TERMINAL OPTION #3	8/24/16	AY/CH
F		UPDATE DIM.	11/1/18	AY/SL



**SPECIFICATIONS:**  
 Material:  
 Insulator: PA66, rated UL 94V-0  
 Insulator color: Black  
 Contact: Copper Alloy, Tin Plated  
 Electrical:  
 Rating: 15A @ 250V C-ULus  
 10A @ 250V ENEC  
 Insulation resistance: 100 Mohms min @ 500 VDC  
 Dielectric withstanding voltage: 3000 VAC for 1 minute  
 Environmental:  
 Lead free, RoHS compliant.

TERMINAL OPTIONS	
-1 .187 Q.C.	-2 .250 Q.C.



UNLESS OTHERWISE SPECIFIED  
 ALL DIMENSIONS ARE INCHES [MM]  
 TOLERANCES: EXCEPT AS NOTED

INCHES		HOLES	
.X	± .10	Ø.X	± .10
.XX	± .020	Ø.XX	± .015
.XXX	± .015	Ø.XXX	± .010

APPROVALS		DATE
DRAWN	SS	6/17/05
CHECKED		
APPROVED		

**ADAM TECH INTERCONNECTS** 909 Rahway Avenue,  
 Union, NJ 07083  
 Phone: 908-687-5000  
 Fax: 908-687-5710

TITLE		
IEC FEMALE OUTLET, PANEL MOUNT		
SIZE X	PART NO. IEC-B-X	REV. E
REF: S00087C	SCALE: NTS	SHEET 1 OF 1