



REED SWITCH DEVELOPMENTS CORP.

2524 Norwood Court

Racine, WI 53403

Ph: (262)883-9060

sales@reedswitchdevelopments.com

SPECIFICATION SHEET

2230-1166-100

Alternate Part Number:
AM2230-1166-10-01

Active / Equivalent Part Numbers:

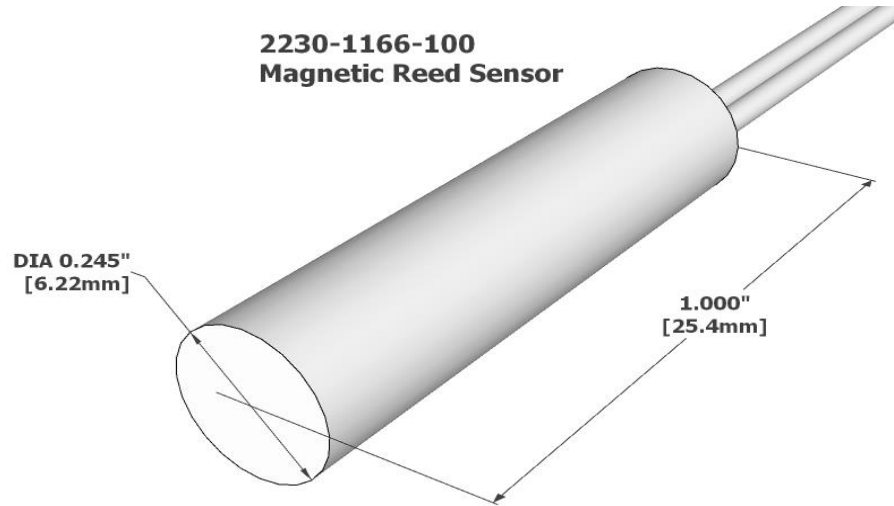
2230-1166-100 - Magnetic Reed Sensor Only

AM2230-1166-10-01 - Magnetic Reed Sensor Only

| Sensor (Reed) - Specifications | | 1166 | |
|--------------------------------|------------------------------------|--------------------|-------|
| Physical | Configuration | SPST | |
| | Form | A | |
| | Contact Position | CENTER | |
| | Glass L | 10.5 | mm |
| | Glass D | 2.2 | mm |
| | Total L* | 34.5 | mm |
| | Wire D | N/A | mm |
| | Gap Location | CENTER | |
| | Mount Spec* | N/A | |
| | Contact Material | N/A | |
| | Max Vibration Resistance | 20 | G |
| | Max Shock Resistance (11ms) | 50 | G |
| | Lead Tensile Strength | N/A | KG |
| | Operating | Pull in (+/- 2AT)* | 15-20 |
| Drop out* | | N/A | AT |
| Operate Time | | 0.5 | ms |
| Bounce Time | | INCL | ms |
| Release Time | | 0.1 | µs |
| Resonant Frequency | | N/A | Hz |
| Max Operating Frequency | | N/A | Hz |
| Operating Temperature Range | | -40 - 130 | °C |
| Storage Temperature | | -55 - 130 | °C |
| Electrical | | DC Contact Rating | 20 |
| | AC Contact Rating | N/A | VA |
| | DC Switching Voltage | 200 | VDC |
| | AC Switching Voltage | 140 | VAC |
| | DC Switching Current | 1.00 | A |
| | AC Switching Current | 1.00 | A |
| | DC Max Carry Current | 1.25 | A |
| | AC Max Carry Current | 1.25 | A |
| | Min Breakdown Voltage | 220 | VDC |
| | Max Initial Contact Resistance | 150 | mOhm |
| | Typical Initial Contact Resistance | N/A | mOhm |
| | Max Contact Capacitance | 0.30 | pF |
| | Min Insulation Resistance | 10 ¹² | Ohm |

* Pre-processed, bare reed element

**2230-1166-100
Magnetic Reed Sensor**



All measurements are in Inches [millimeters]

Sensor - Wire/Cable Characteristics (cont.)

| Type | Wire |
|---------------------|--------------|
| Conductor Count | 2 |
| Length | 6.0"/152.4mm |
| Colors | BLK |
| Insulation Material | PVC |
| Gauge | 24 AWG |
| Stranded Copper | 7 STR-TC |
| Maximum Temp | 105°C |

Housing Characteristics 2230

| Cylindrical Smooth | |
|--------------------|----------------|
| Length | 1.000"/25.40mm |
| Diameter | 0.245"/6.22mm |
| Material | Celanex 3316 |

Standard Sensor/Actuator - Min. Actuation Distance

| | |
|---------------|-------------|
| 2230-4013-000 | 0.19"/4.8mm |
|---------------|-------------|

Assembly Certifications

| | |
|---------------------------------|---|
| UL Recognized (File #: E102207) | Y |
| RoHS / Reach Compliant | Y |
| Conflict Free Material | Y |

REV DATE: 10/06/2021

DISCLAIMER NOTICE: INFORMATION FURNISHED IS PROPRIETARY, AND IS BELIEVED TO BE ACCURATE AND RELIABLE, AND IS SUBJECT TO CHANGE WITHOUT NOTICE. IT SHALL BE THE RESPONSIBILITY OF THE BUYER TO ENSURE THAT THE GOODS ARE SUFFICIENT AND SUITABLE FOR THE PURPOSE OR PURPOSES INTENDED (WHETHER BY THE BUYER OR BY ANY THIRD PARTY) AND THAT THEIR CAPACITY AND PERFORMANCE IS NOT ADVERSELY AFFECTED BY ANY ITEMS USED IN THEIR INSTALLATION (WHERE RELEVANT) AND/OR IN CONNECTION WITH THEM.

WBE Certified - State of Wisconsin - MFR CAGE CODE: 32604

www.reedswitchdevelopments.com