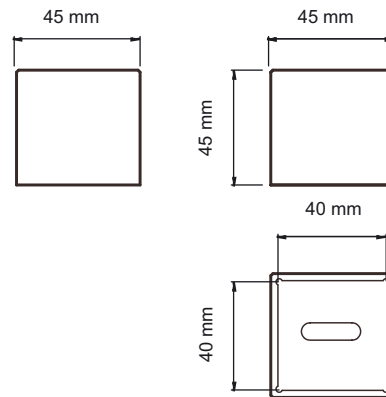


## Dimensions



### Model Number

**TC-RHINO**

Protective cover

### Features

- Protection against mechanical damage and welding splash
- Increased protection for front of the sensor

## Technical data

### Mechanical specifications

Material	PTFE
----------	------