

6

5

4

3

2

1

E

E

D

D

C

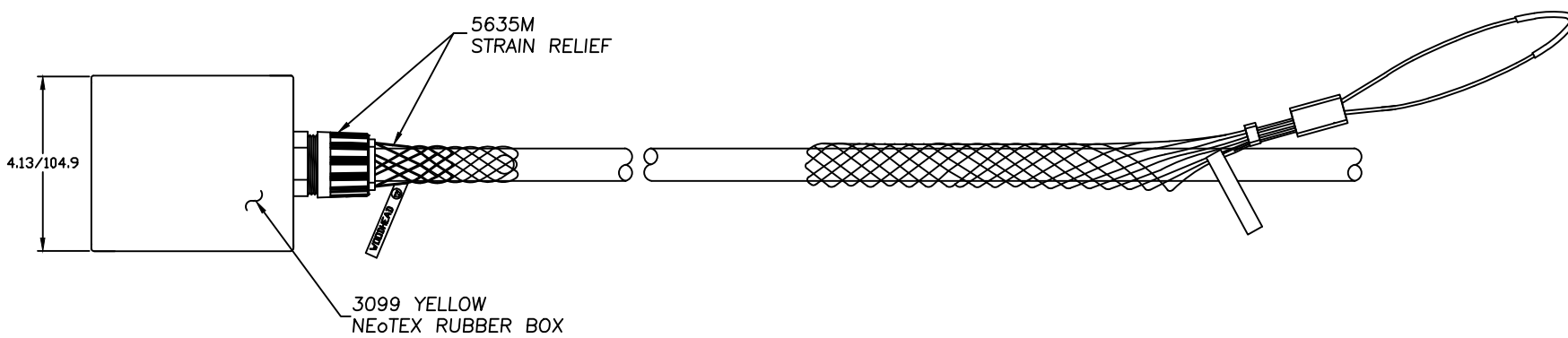
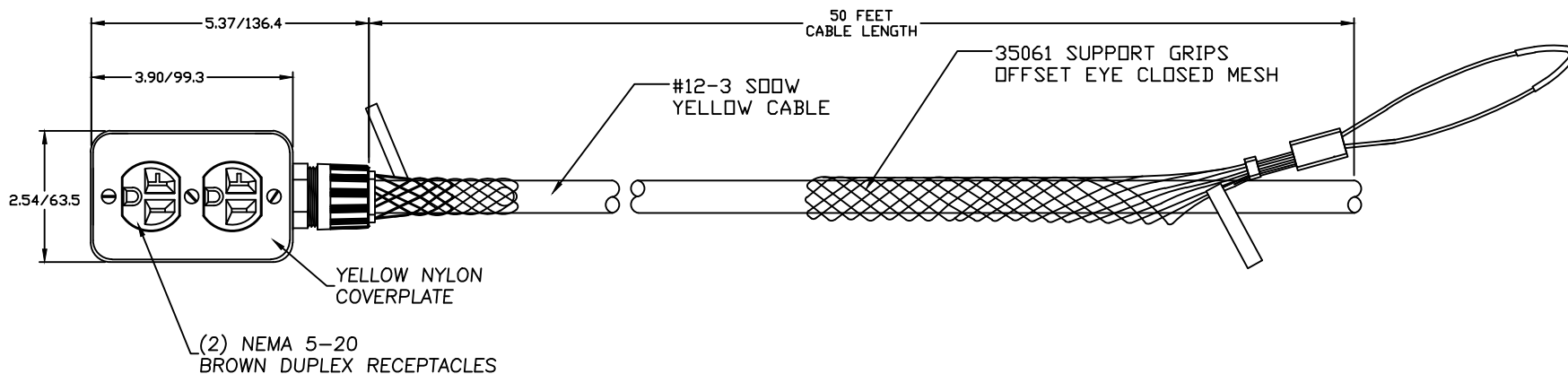
C

B

B

A

A



CUSTOMER APPROVAL DWG EC NO: IPC2017-0130 DRWN: HKNEELAN 2016/08/03 CHKD: HKNEELAN 2016/08/22 APPR: JFMURPHY 2016/08/22	DESCRIPTION REV	QUALITY SYMBOLS $\nabla=0$ $\sphericalangle=0$	GENERAL TOLERANCES (UNLESS SPECIFIED)		DIMENSION STYLE IN/MM		SCALE NTS	DESIGN UNITS INCH	THIRD ANGLE PROJECTION		
		4 PLACES \pm --- \pm ---	mm \pm --- \pm ---	INCH \pm --- \pm ---	DRAWN BY HKNEELAN	DATE 2016/08/03	TITLE MULTIPLE OUTLET BOX W/ #12-3 CABLE & MESH (2)NEMA 5-20 DPLX RECPT				
		3 PLACES \pm --- \pm 0.05	mm \pm --- \pm 0.05	INCH \pm --- \pm 0.05	CHECKED BY HKNEELAN	DATE 2016/08/22					
		2 PLACES \pm 0.13 \pm 0.10	mm \pm 0.13 \pm 0.10	INCH \pm 0.13 \pm 0.10	APPROVED BY JFMURPHY	DATE 2016/08/22	MOLEX INCORPORATED				
		1 PLACE \pm 0.25 \pm 0.020	mm \pm 0.25 \pm 0.020	INCH \pm 0.25 \pm 0.020	MATERIAL NO. 1301370320						
DRAFT WHERE APPLICABLE MUST REMAIN WITHIN DIMENSIONS			ANGULAR \pm 5°		THIS DRAWING CONTAINS INFORMATION THAT IS PROPRIETARY TO MOLEX INCORPORATED AND SHOULD NOT BE USED WITHOUT WRITTEN PERMISSION						

6

5

4

3

2

1