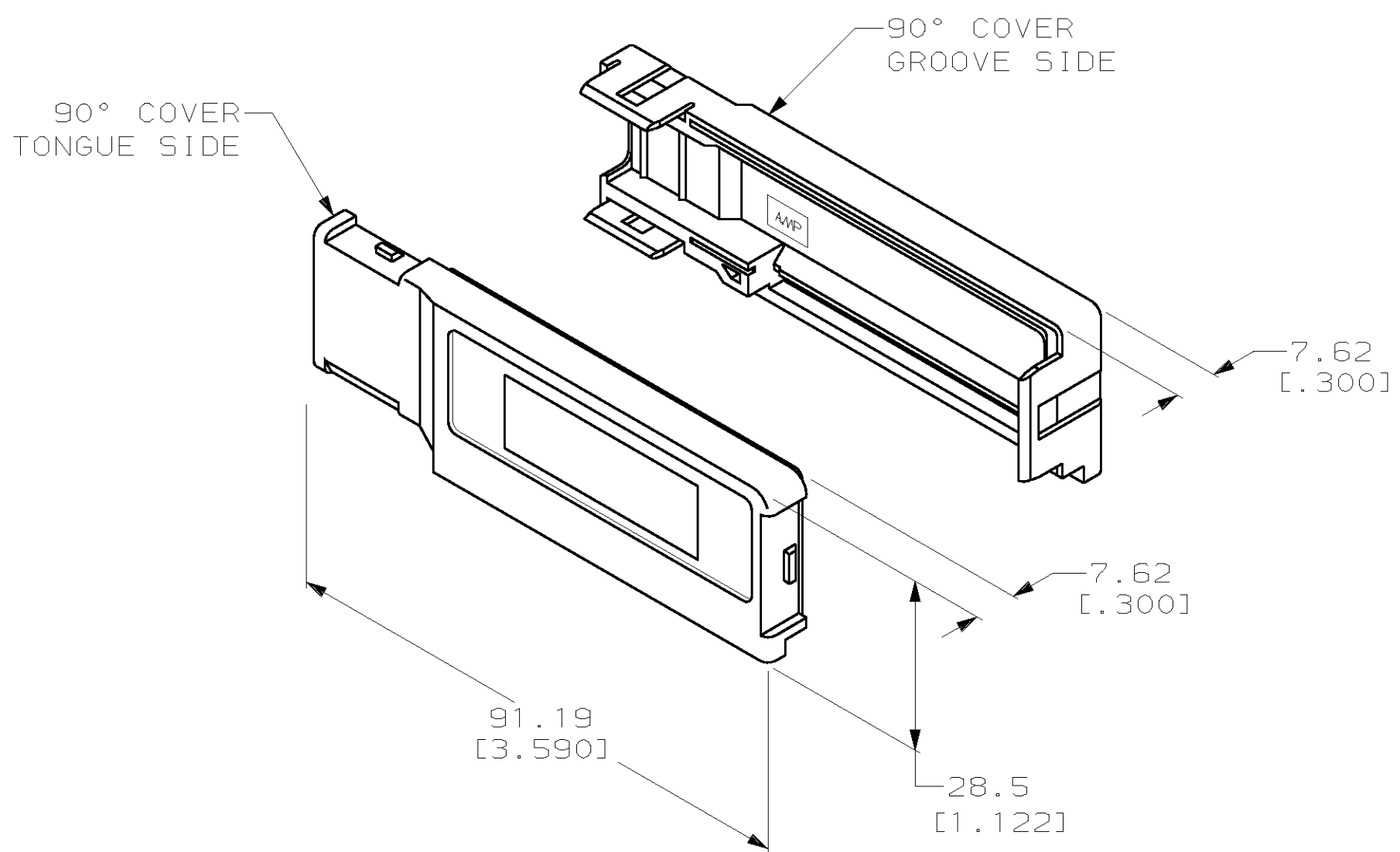


THIS DRAWING IS UNPUBLISHED. RELEASED FOR PUBLICATION ,19 .
 © COPYRIGHT 19 BY AMP INCORPORATED. ALL RIGHTS RESERVED.

LOC	DIST	REVISIONS			
P	LTR	DESCRIPTION	DATE	DWN	APVD
AA	20	E	OBSOLETE: -2; EC 0515-0014-03	22APR96	DLD/RPM

1. DIMENSIONS SHOWN ARE FOR REFERENCE ONLY UNLESS OTHERWISE SPECIFIED.
2. COVERS SHIPPED NOT ASSEMBLED.
3. 100 KITS BULK PACKED.



OBSOLETE	— ALMOND	12.07 - 13.72	552731-2
	BLACK	[.475 - .540]	552731-1
	COLOR	CABLE RANGE DIAMETER	PART NO.

<small>THIS DRAWING IS A CONTROLLED DOCUMENT FOR AMP INCORPORATED. IT IS SUBJECT TO CHANGE AND THE CONTROLLING ENGINEERING ORGANIZATION SHOULD BE CONTACTED FOR THE LATEST REVISION.</small>		DWN DL DRUMMOND 22 APR 96	AMP Incorporated Harrisburg, PA 17105-3608
DIMENSIONS: mm [INCHES]		CHK D. AHERON 08 MAY 96	
		APVD M. HUGHES 08 MAY 96	NAME COVER KIT, 90 DEGREE 50 POSITION, CHAMP®
TOLERANCES UNLESS OTHERWISE SPECIFIED: 0 PLC ±- 1 PLC ±- 2 PLC ±- 3 PLC ±- 4 PLC ±- ANGLES ±-		PRODUCT SPEC -	SIZE A3
MATERIAL POLYPHENYLENE OXIDE		APPLICATION SPEC -	CAGE CODE 00779
FINISH -		WEIGHT -	DRAWING NO C-552731
		CUSTOMER DRAWING	SCALE 1:1 SHEET 1 OF 1 REV E