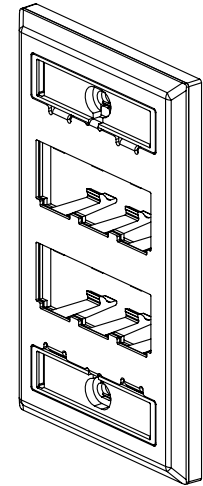
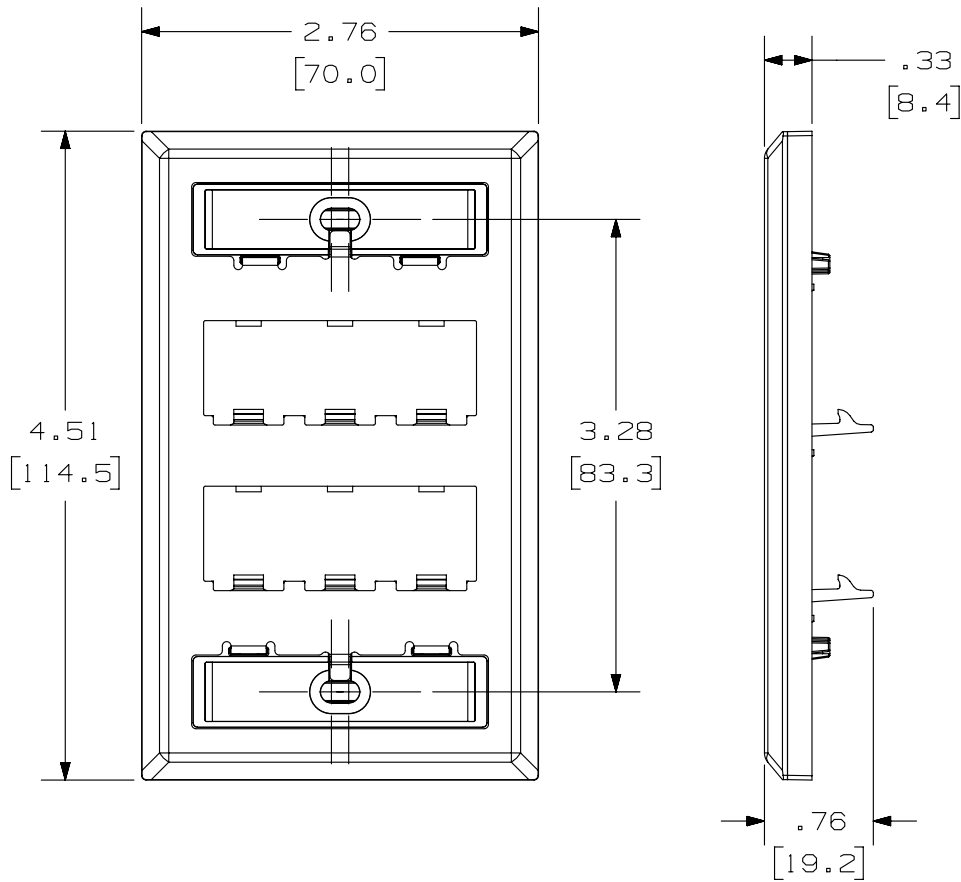


THIS COPY IS PROVIDED ON A RESTRICTED BASIS AND IS NOT TO BE USED IN ANY WAY DETRIMENTAL TO THE INTERESTS OF PANDUIT CORP.

PANDUIT P/N	WEIGHT
CFPL6SY	.83 LB/10 PCS (376.5g/10 PCS)

NOTES:

- SEE CURRENT CATALOG FOR ADDITIONAL PART NUMBER SUFFIXES TO INDICATE COLOR AND OR PACKAGE QUANTITY.
- SEE CATALOG FOR COMPLETE LIST OF PARTS APPLICABLE FOR USE WITH THIS PART.
- DIMENSIONS IN [] ARE IN METRIC.
- PART INCLUDES:
 - 1- FACEPLATE
 - 2- #6-32 X 1" MOUNTING SCREWS
 - 2- LABEL
 - 2- LABEL COVER



PART NUMBER		CFPL6SY	
TITLE			
MINI-COM 6 POSITION STAINLESS STEEL FACEPLATE WITH LABEL/COVER			
CUSTOMER DRAWING			
ITEM REVISION NAME		M02479FK/00	
DATASET FILE NAME		M02479FK_DC143/00C	
UNLESS OTHERWISE SPECIFIED, DIMENSIONAL TOLERANCES ARE: IN [mm]		MATERIAL:	
.x ± .xxx ± .010 [.3]		FACEPLATE- 304 S.S.	
.xx ± .03 [.8]		BACKING- ABS	
ANGLES ±		DRAWING NUMBER:	
THIRD ANGLE PROJECTION		02479-143	
DRAWN BY	DATE	CHK	SCALE
JSP	3-14-06	MJD	NONE
SHT 1 OF 1			SIZE
			A

REV	DATE	BY	CHK	APR	DESCRIPTION	ECN
2	4/15/14	JSP	REFR	MMR	B. REVISED DRAWING TITLE BLOCK.	02479143
1	7-30-07	JSP	JCO	JCO	A. FACEPLATE MATERIAL WAS JUST STAINLESS STEEL	02479-143
R	3-14-06	JSP	MJD	MJD	RELEASED TO PRODUCTION	02479-143

D10100DA/14

2

1

2

1