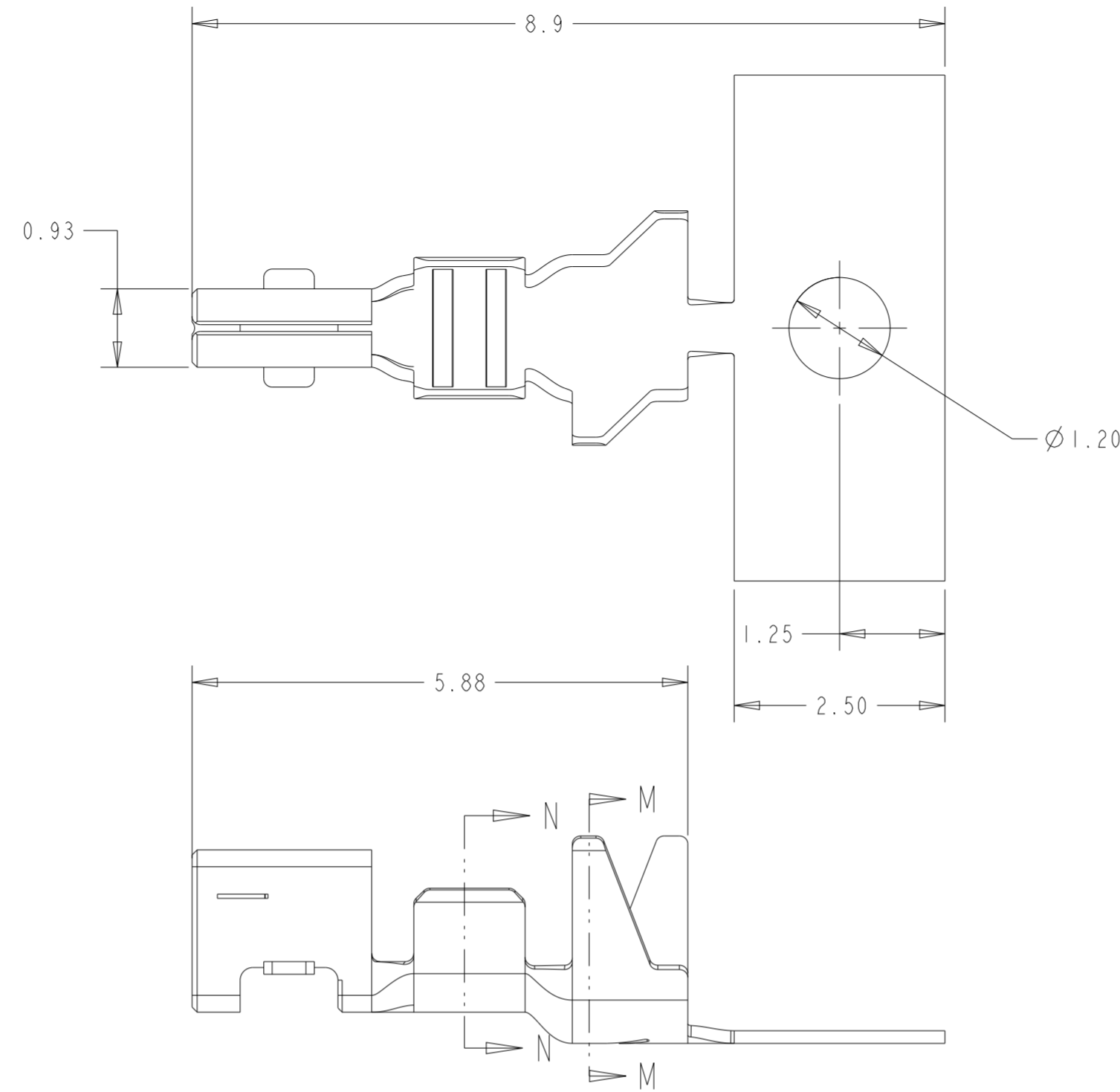
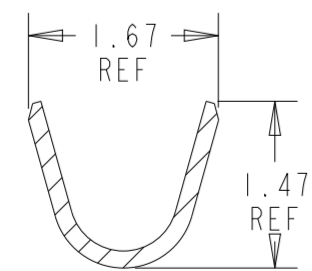
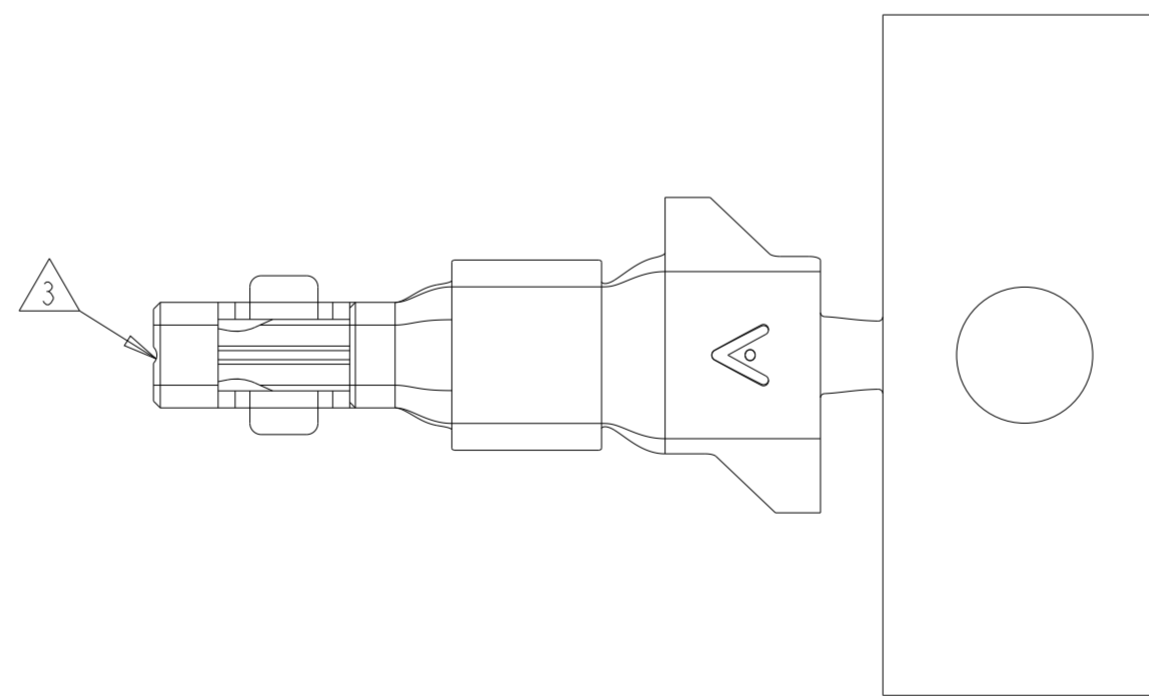
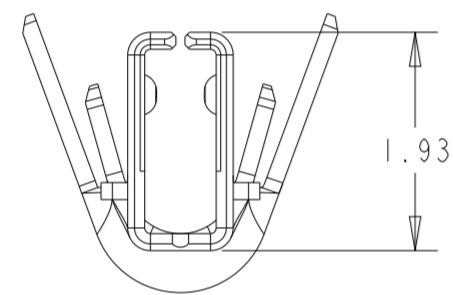


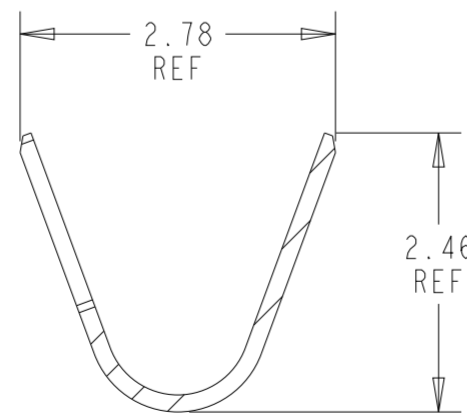
P	LTR	DESCRIPTION	DATE	DWN	APVD
B		REVISED PER ECR-20-100389	01SEP2020	BDA	SW
BI		REVISED PER ECR-21-124699	24JAN2022	PJ	DZ



1. WIRE RANGE: 28-22 AWG COPPER STRANDED.
2. INSULATION RANGE: \varnothing 1.18-1.56
3. RADIUS FEATURE MAY EXIST ON CORNER INDICATED.
4. COUNTERPART: 2350224



SECTION N-N

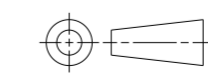


SECTION M-M

THIS DRAWING IS A CONTROLLED DOCUMENT.

DIMENSIONS:
mm

TOLERANCES UNLESS OTHERWISE SPECIFIED:



0 PLC ±
1 PLC ±0.3
2 PLC ±0.20
3 PLC ±
4 PLC ±
ANGLES ±
FINISH

MATERIAL
SEE TABLE

PRE-PLATED
TIN

DWN	B. WEAVER	21 JUN 2019
CHK	C. YI	21 JUN 2019
APVD	T. BENCHOFF	21 JUN 2019
PRODUCT SPEC	108-143160	
APPLICATION SPEC	114-143160	
WEIGHT	-	
CUSTOMER DRAWING	SCALE 15:1	

PHOS. BRONZE	2350223-1
MATERIAL	PART NUMBER
STE TE Connectivity	
NAME RECEPTACLE CONTACT, SGI 2.0	
SIZE	CAGE CODE
A2	00779
DRAWING NO	RESTRICTED TO
C-2350223	-
SHEET	OF
15	1
REV	BI