

# SLP8A SERIES

Dust resistant Power rocker switch.  
Applications include industrial equipment, telecommunications equipment, security devices, machine tools and more.

RoHS Compliant



### FEATURES

- Electrical life of 50,000 cycles
- Compact size
- Four actuator marking options
- RoHS compliant
- cUL Recognized
- CQC and ENEC certified

### SPECIFICATIONS

Rating	8 A @ 127 V AC 4 A @ 250 V AC
Initial contact resistance	30 mΩ max. (1A 2~4V DC)
Dielectric strength	1,500 VAC 1 minute
Insulation resistance	100 MΩ min. (500 V DC)
Electrical life (cycles)	50,000 cycles
Operating force	4 ± 2 N
Operating temperature range	-10 ~ +65 °C
Storage temperature range	-25 ~ +80 °C

### LIST OF PART NUMBERS

Part No.	Actuator marking	SW function	Terminal style
SLP8A20	None	OFF-ON	187" Quick Connect
SLP8A25			
SLP8A26			
SLP8A27			
SLP8A20			

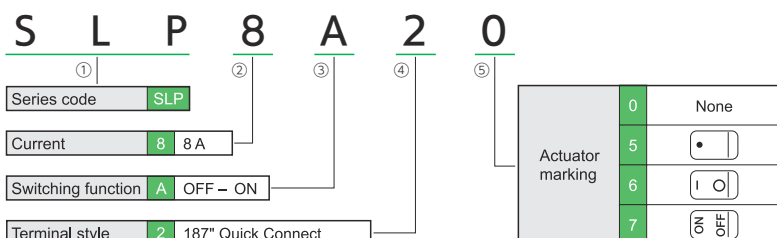
### SWITCHING FUNCTION

Switching function			Number of terminals
Connecting terminals			
A pos.	B pos.		2
OFF	ON		
—	P-1		

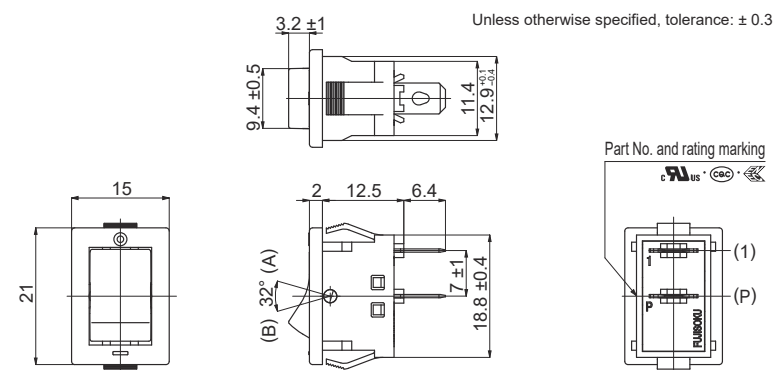
### PANEL CUT-OUT DIMENSIONS (Unit: mm)

Panel thickness	X
0.75 ~ 1.25	19.2
1.25 ~ 2.50	19.4

### PART NUMBER DESIGNATION



### OUTLINE DIMENSIONS (Unit: mm)



#### NIDEC COPAL ELECTRONICS CORP. (Head Office)

7-5-25 Nishi-Shinjuku, Shinjuku-ku, Tokyo 160-0023 JAPAN  
Phone:+81-3-3364-7055 Fax:+81-3-3364-7098

#### NIDEC COPAL ELECTRONICS, INC.

367 Van Ness Way, Suite 601  
Torrance, CA 90501 U.S.A  
Phone:+1-310-618-0225 Fax:+1-310-618-9984

#### NIDEC COPAL ELECTRONICS (SHANGHAI) CO.,LTD.

Unit A, 4/F, No.4 Bldg., No.253, Ai Du Rd., Wai Gao Qiao  
Free Trade Zone, Shanghai 200131, CHINA  
Phone:+86-21-5046-3009 Fax:+86-21-5046-3115

#### NIDEC COPAL ELECTRONICS (TAIWAN) CO., LTD.

18F-1, No.57, Sec.2, Tun Hwa S.Rd., Taipei 106, TAIWAN  
Phone:+886-2-27030577 Fax:+886-2-27010577

■ Specifications are subject to change without notice.

<https://www.nidec-copal-electronics.com>

#### NIDEC COPAL ELECTRONICS GmbH

Mergenthalerallee 79-81  
65760 Eschborn GERMANY  
Phone:+49-6196-92775-0 Fax:+49-6196-92775-75

#### NIDEC COPAL ELECTRONICS KOREA CORP.

C- 406, Woolim Lion's Valley 168, Gasan digital,  
Geumcheon-gu, Seoul, 08507, KOREA  
Phone:+82-2-3482-5861 Fax:+82-2-3482-5860

#### NIDEC COPAL ELECTRONICS SINGAPORE PTE. LTD.

180B Bencoolen Street #07-05 The Bencoolen Singapore 189648  
Phone:+65-6535-0056 Fax:+65-6535-0087

201812E0000