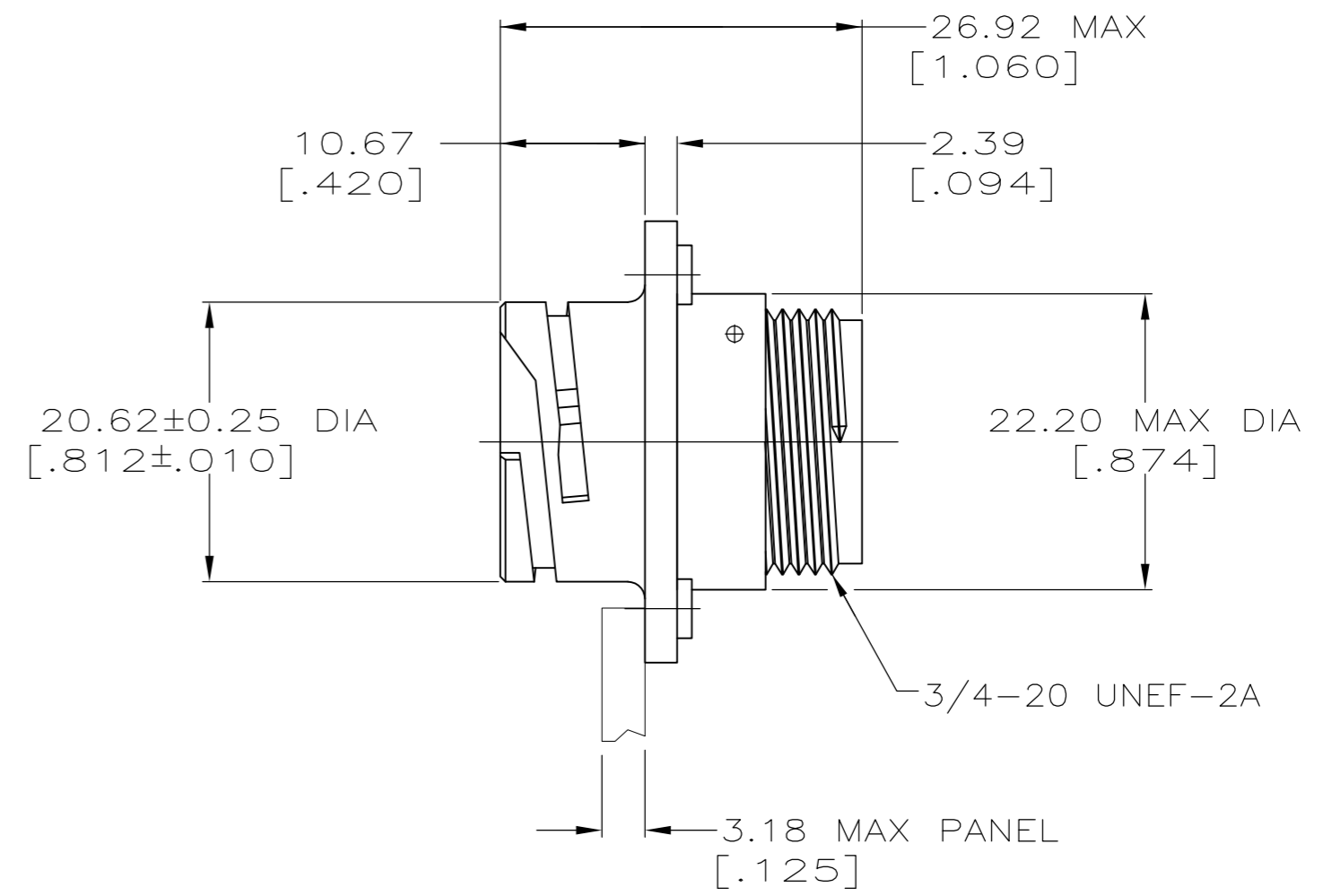
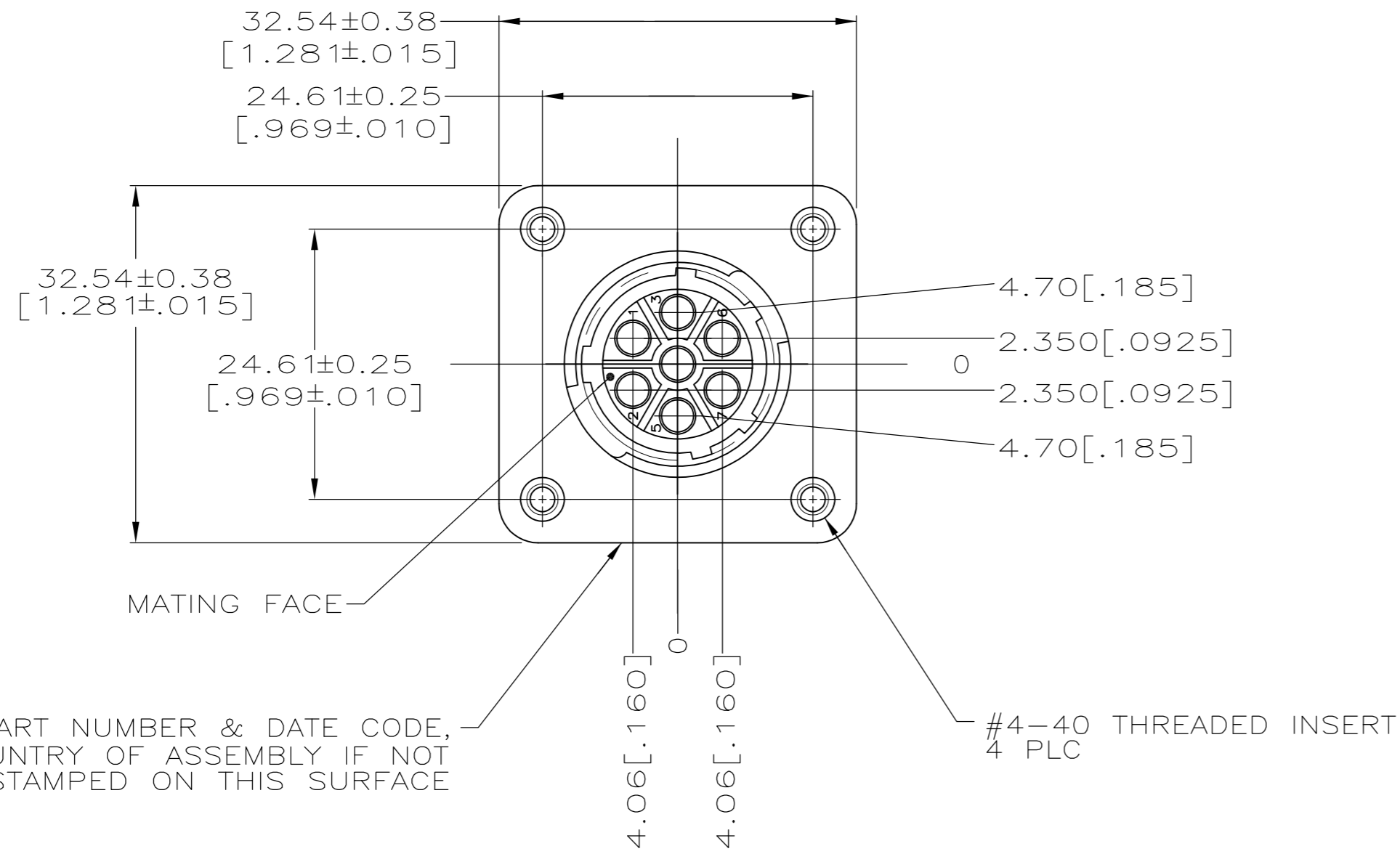
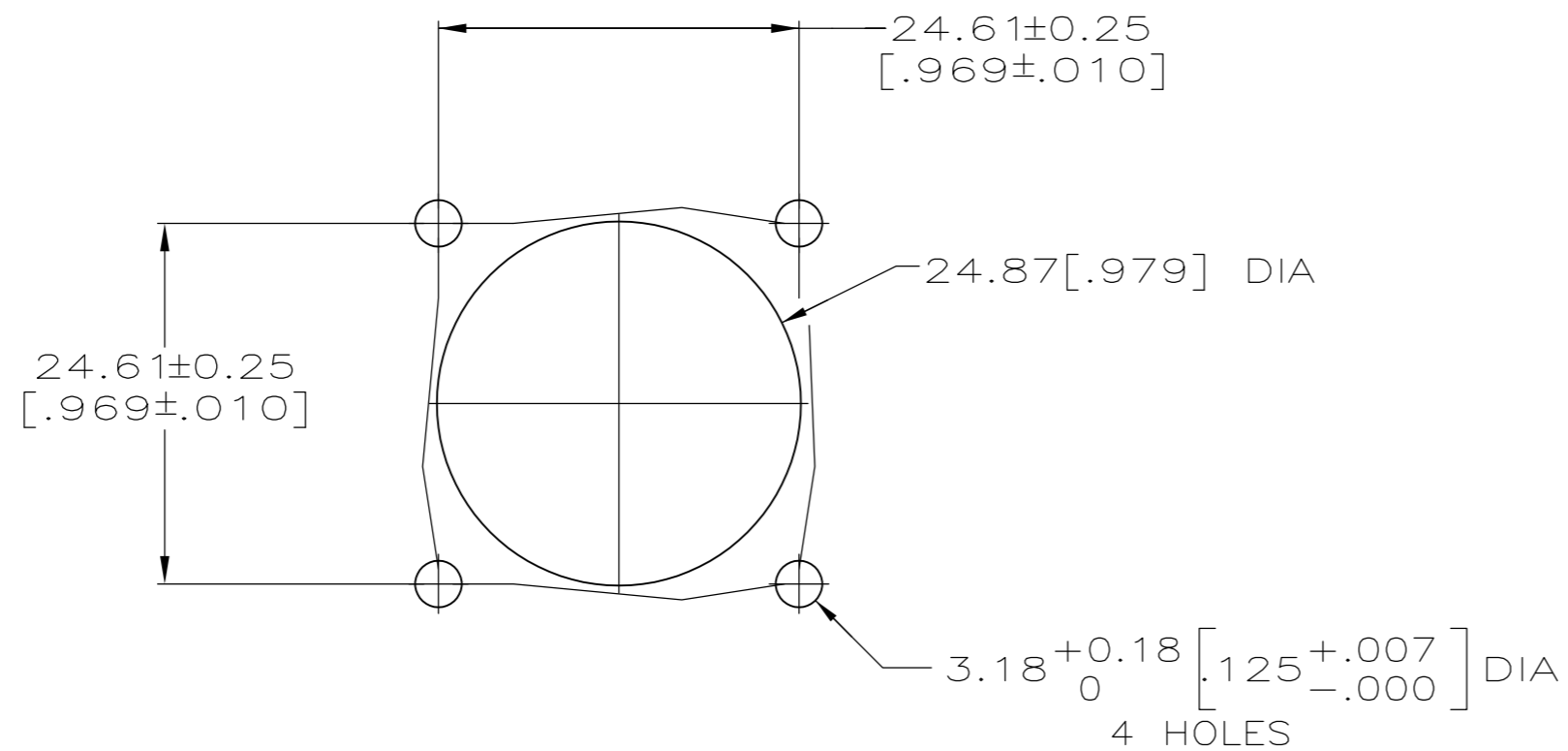


THIS DRAWING IS UNPUBLISHED. RELEASED FOR PUBLICATION
 © COPYRIGHT - By - ALL RIGHTS RESERVED.

LOC		DIST		REVISIONS			
P	LTR	DESCRIPTION		DATE	DWN	APVD	
FT	4	A		REVISED PER ECO-11-012840	27JUN11	HMR	MS



AMP, PART NUMBER & DATE CODE, AND COUNTRY OF ASSEMBLY IF NOT USA, INK STAMPED ON THIS SURFACE



RECOMMENDED PANEL CUTOUT

SUPERSEDED BY 211398-4

- 1 CAVITY IDENTIFICATION ON FRONT AND REAR FACE.
- 2 WILL ACCEPT SEVEN (7) MULTIMATE SOCKET CONTACTS.

THIS DRAWING IS A CONTROLLED DOCUMENT.		DWN M.BINNER 11 SEP 96	STE TE Connectivity	
DIMENSIONS: mm [INCHES]		CHK R.STONE 13 SEP 96		
TOLERANCES UNLESS OTHERWISE SPECIFIED:		APVD K.DOWHOWER 16 SEP 96	NAME	
0 PLC ± -		PRODUCT SPEC	RECEPTACLE ASSEMBLY W/ THREADED FASTENERS, SHELL SIZE 13, REVERSE SEX, CPC	
1 PLC ± -		APPLICATION SPEC	SIZE	CAGE CODE
2 PLC ± 0.13 [.005]		108-10024	A2	00779
3 PLC ± 0.127 [.0050]		114-10038	DRAWING NO	RESTRICTED TO
4 PLC ± -		WEIGHT -	C=213953	-
ANGLES ± -		CUSTOMER DRAWING	SCALE 2:1	SHEET 1 of 1
MATERIAL HOUSING: THERMOPLASTIC, BLACK INSERT: BRASS		FINISH -	REV A	