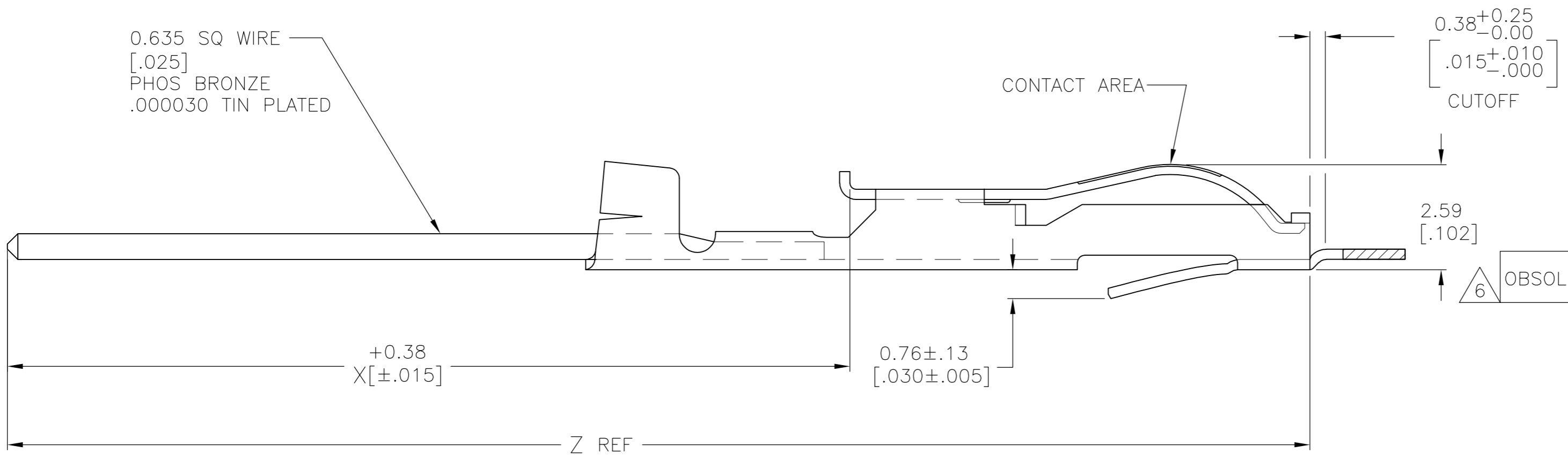
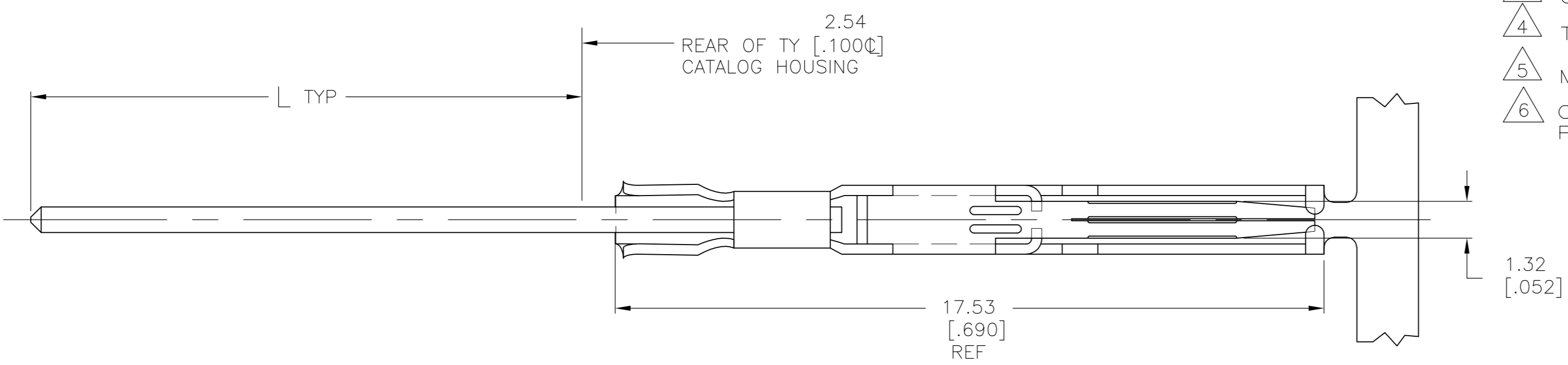


THIS DRAWING IS UNPUBLISHED. RELEASED FOR PUBLICATION
 © COPYRIGHT BY TYCO ELECTRONICS CORPORATION. ALL RIGHTS RESERVED.

LOC	DIST	REVISIONS					
AD	00	P	LTR	DESCRIPTION	DATE	DWN	APVD
		M1		REVISED PER ECO-09-024927	06NOV09	KK	AEG

- 1 .000015 GOLD OVER .000030 NICKEL IN CONTACT AREA, REMAINDER OF CONTACT IS NICKEL PLATED.
- 2 .000050 GOLD OVER .000030 NICKEL IN CONTACT AREA, REMAINDER OF CONTACT IS NICKEL PLATED.
- 3 OBSOLETE
- 4 TIN-LEAD PLATED
- 5 MATTE TIN PLATED
- 6 OBSOLETE PARTS: OBSOLETE CIS STREAMLINING PER D.RENAUD/D.SINISI



1	17.78 [.700]	24.87 [.969]	36.17 [1.424]	5-583879-9
1	9.02 [.355]	16.13 [.635]	27.43 [1.080]	5-583879-8
1	13.59 [.535]	20.32 [.800]	31.62 [1.245]	5-583879-6
1	13.59 [.535]	20.32 [.800]	31.62 [1.245]	5-583879-4
1	4.32 [.170]	11.46 [.451]	22.76 [.896]	5-583879-2
6 OBSOLETE	4.32 [.170]	11.46 [.451]	22.76 [.896]	5-583879-1
1	17.78 [.700]	24.87 [.979]	36.17 [1.424]	583879-9
1	9.02 [.355]	16.13 [.635]	27.43 [1.080]	583879-8
1	13.59 [.535]	20.32 [.800]	31.62 [1.245]	3 4 583879-7
1	13.59 [.535]	20.32 [.800]	31.62 [1.245]	4 583879-6
1	13.59 [.535]	20.32 [.800]	31.62 [1.245]	4 583879-4
1	4.32 [.170]	11.46 [.451]	22.76 [.896]	4 583879-2
1	4.32 [.170]	11.46 [.451]	22.76 [.896]	4 583879-1
FINISH	L	X	Z	PART NUMBER

THIS DRAWING IS A CONTROLLED DOCUMENT.

DWN A. STAUB BG 02AUG93
 CHK H ROSE 07MAR94
 APVD H ROSE 07MAR94

TOLERANCES UNLESS OTHERWISE SPECIFIED:
 0 PLC ± -
 1 PLC ± -
 2 PLC ± -
 3 PLC ± -
 4 PLC ± -
 ANGLES ± -

MATERIAL PHOS BRONZE
 FINISH SEE TABLE

NAME CONTACT, CRIMP TWIN LEAF, WITH .025 SQ POST

SIZE A2 CAGE CODE 00779 DRAWING NO C=583879 RESTRICTED TO -
 WEIGHT - SCALE 10:1 SHEET 1 OF 1 REV M1

Tyco Electronics Corporation Harrisburg, PA 17105-3608

CUSTOMER DRAWING