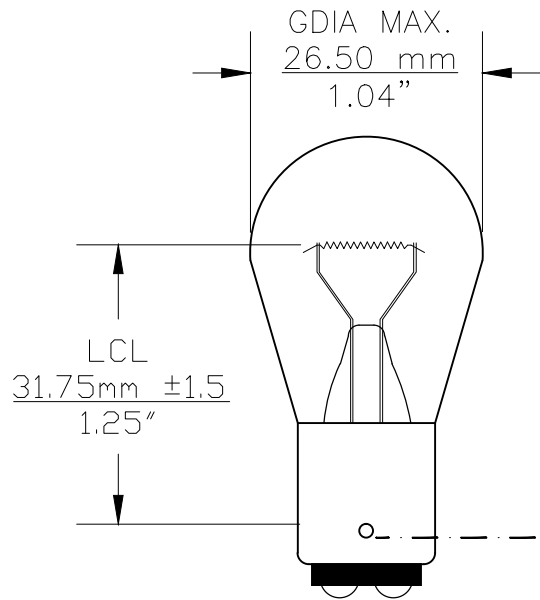


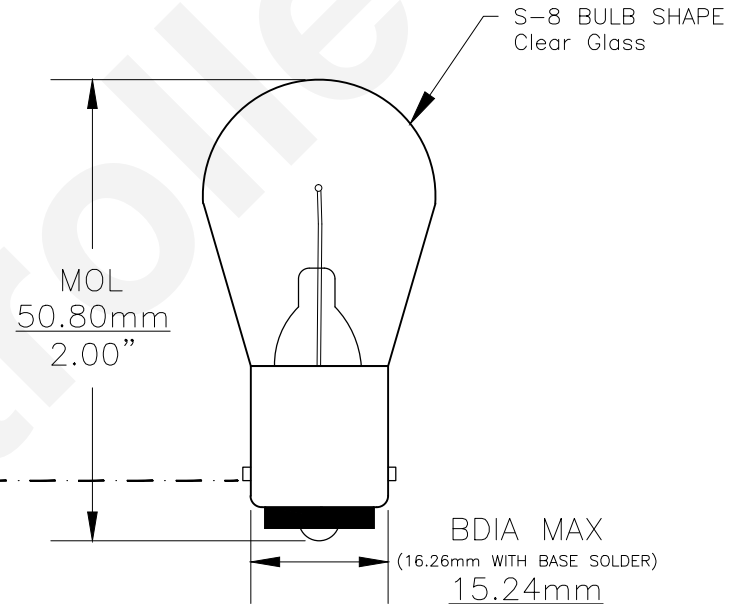


PART NO.	BASE TYPE	DESIGN VOLTS	DESIGN AMPS	MSCD	FILAMENT TYPE	AVERAGE LIFE HOURS
1156DC	D.C. BAYONET (BA15d)	12.8V	2.10±10%	32±15%	C-6	1200

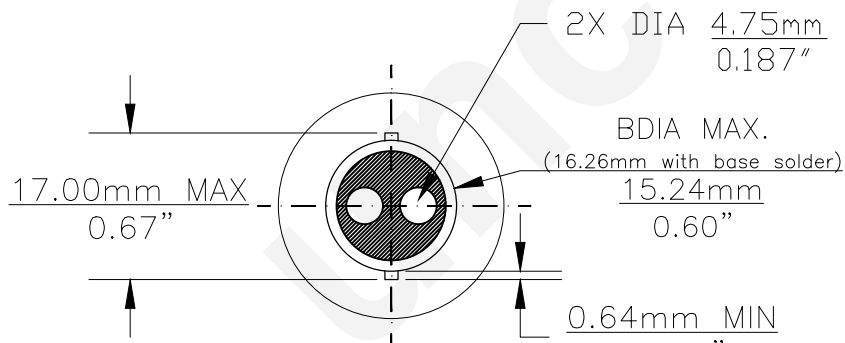
REVISIONS			
REV #	DESCRIPTION	DATE	APPROVED
1	ADDITIONAL VIEW	11/06/2006	D.C.



0° VIEW



90° VIEW



BASE BOTTOM VIEW



Note: Made according to SAE specifications

UNLESS OTHERWISE SPECIFIED: DIMENSIONS ARE IN INCHES TOLERANCES		CEC INDUSTRIES LTD	
DECIMALS .XX ± .05	ANGULAR ± 0.5°	599 BOND STREET	LINCOLNSHIRE, IL 60069
.XXX ± .010	FRACTIONAL ± 1/64	TITLE LIGHT BULB NO. 1156DC	
DRAWN ANNA SOLOVEYCHIK	DATE 08/20/2003	SIZE A	FSCM NO. 1156DC
CHECKED	DESIGN	DWG NO. 1156DC	REV 1
MATERIAL	SCALE	PLOT SCALE	SHEET 1 OF 1
	FILE 1156DC.pdf	DRAWING NOT TO SCALE	