

# CGA6M1X8R1E685K200AC

TDK Item Description : CGA6M1X8R1E685KT\*\*\*\*



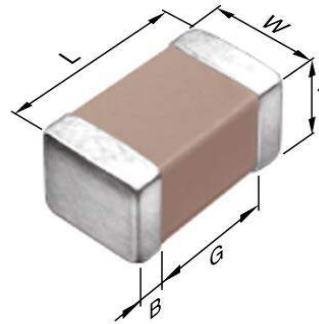
Equivalent C3225X8R1E685K for Automotive

## Application & Main Feature

Automotive Grade ( High Temperature Application )

## Series

CGA6(3225) [EIA 1210]



## Dimensions

L	3.20mm +/-0.4mm
W	2.50mm +/-0.3mm
T	2.00mm +/-0.2mm
B	0.20mm Min.
G	

## Temperature Characteristic

X8R (-55 to 150 deg +/-15%)

## Rated Voltage

1E (25Vdc)

## Capacitance

6.8uF

## Capacitance Tolerance

K (+/-10%)

## Dissipation Factor

5% Max.

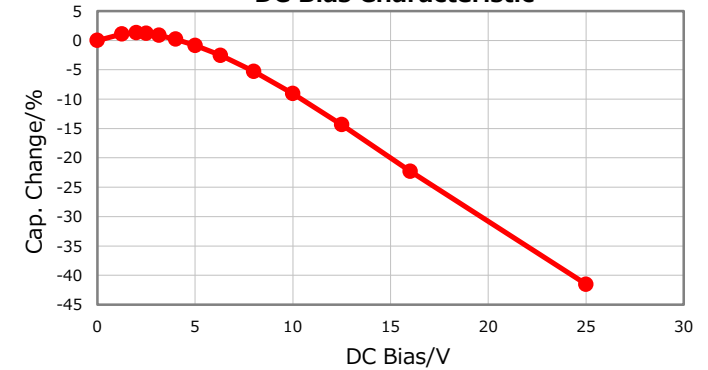
## Insulation Resistance

73Mohm Min.

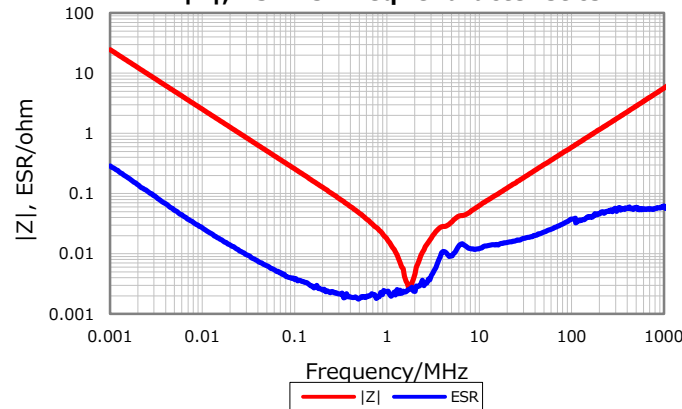
## AEC-Q200

Yes

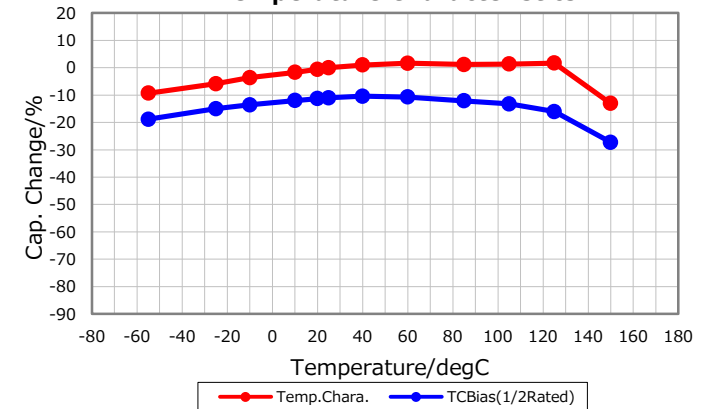
## DC Bias Characteristic



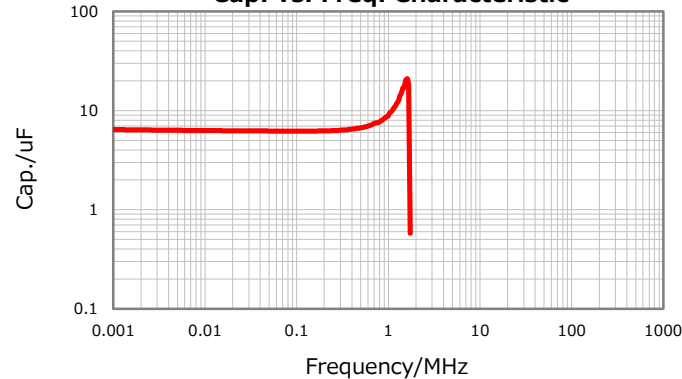
## |Z|, ESR vs. Freq. Characteristics



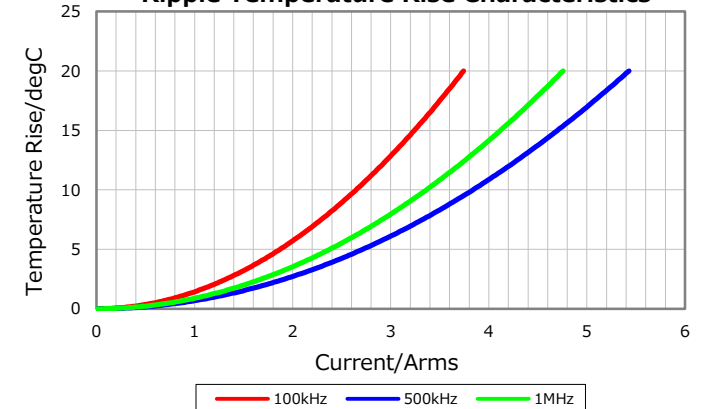
## Temperature Characteristics



## Cap. vs. Freq. Characteristic



## Ripple Temperature Rise Characteristics



Characterization Sheet ( Multilayer Ceramic Chip Capacitors )



All specifications are subject to change without notice.