

Peak Emission Wavelength: 600nm

The 600nm visible emitter series is designed for applications requiring high output and precise optical / mechanical axis alignment. Custom package solutions and sorting are available.

FEATURES

- > TO-18 Metal Can Domed Package
- > High Output Power
- > High Reliability
- > Narrow Beam Angle
- > Using Cree WZ1050 Series Die

APPLICATIONS

- > Industrial Equipment
- > Medical
- > Machine Vision
- > Currency Validation
- > Light Source For Sensors



Absolute Maximum Ratings (Ta=25°C)



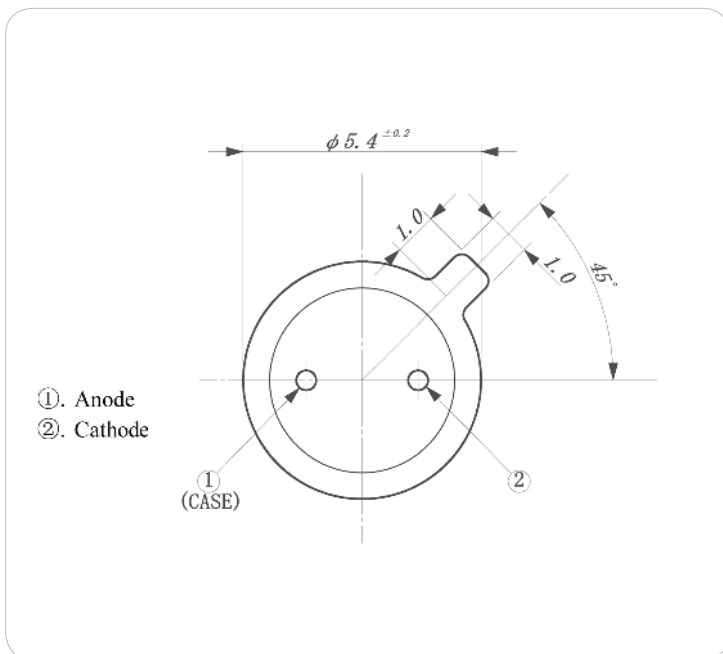
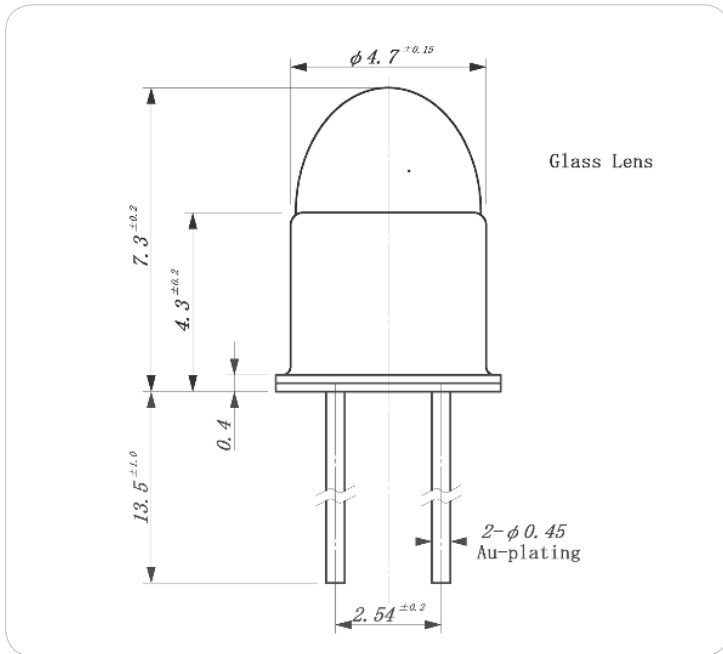
| ITEMS | SYMBOL | RATINGS | UNIT |
|-------------------------------|--------|------------|------|
| Forward Current (DC) *3 | IF | 150 | mA |
| Forward Current (Pulse) *1 | IFP | -- | A |
| Reverse Voltage | VR | 5 | V |
| Power Dissipation | PD | 480 | mW |
| Operating Temperature Range | Topr- | -40 ~ +100 | °C |
| Storage Temperature | Tstg | -40 ~ +120 | °C |
| Junction Temperature | Tj | 150 | °C |
| Lead Soldering Temperature *2 | Tls | 260 | °C |

*1: Tw=10usec, T=10msec; *2: Time 5 Sec max, Position: Up to 3mm from the body *3: Proper heat sink required.

Electrical & Optical Characteristics (Ta = 25°C)

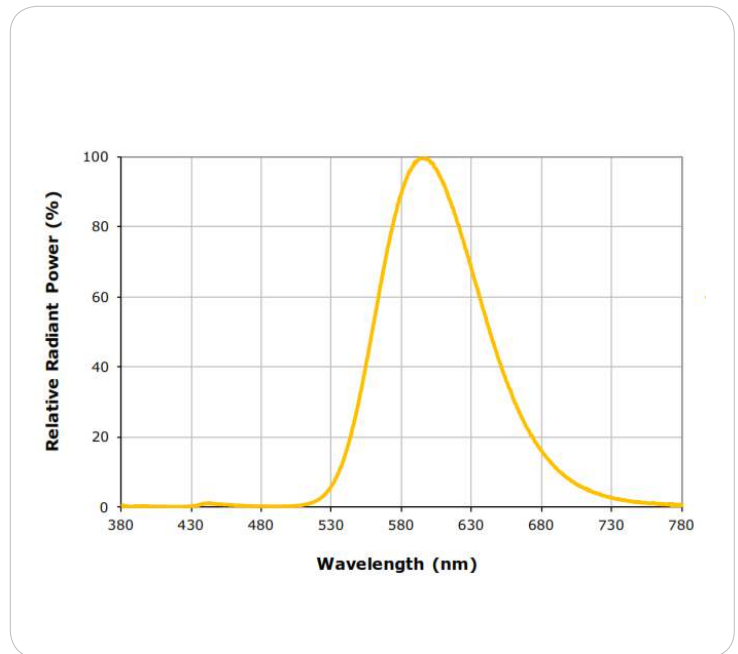
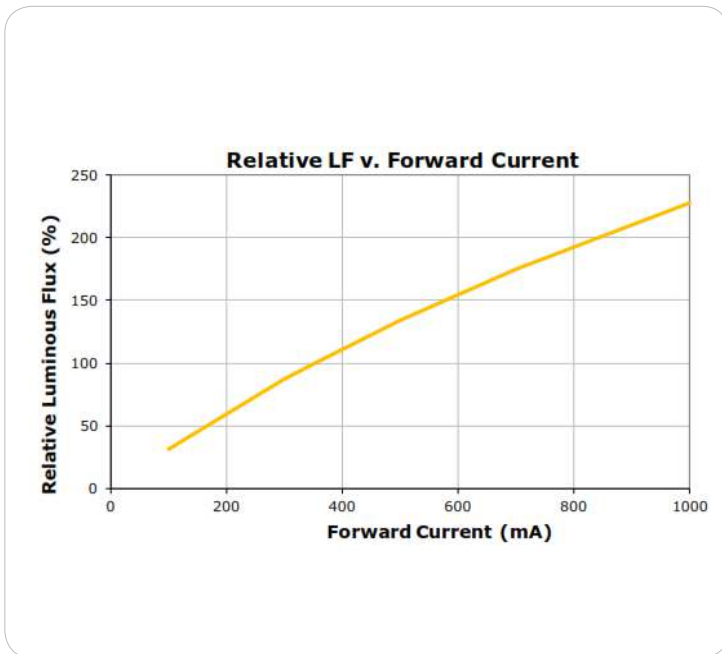
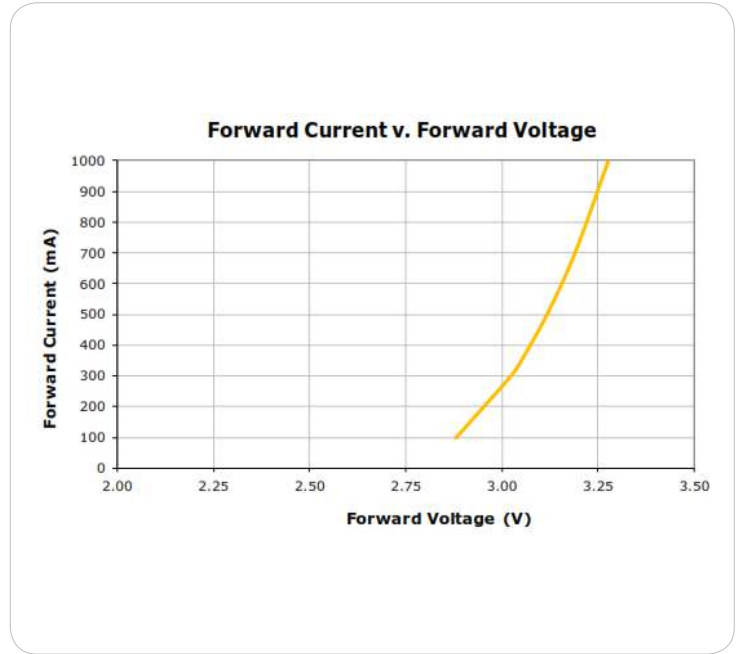
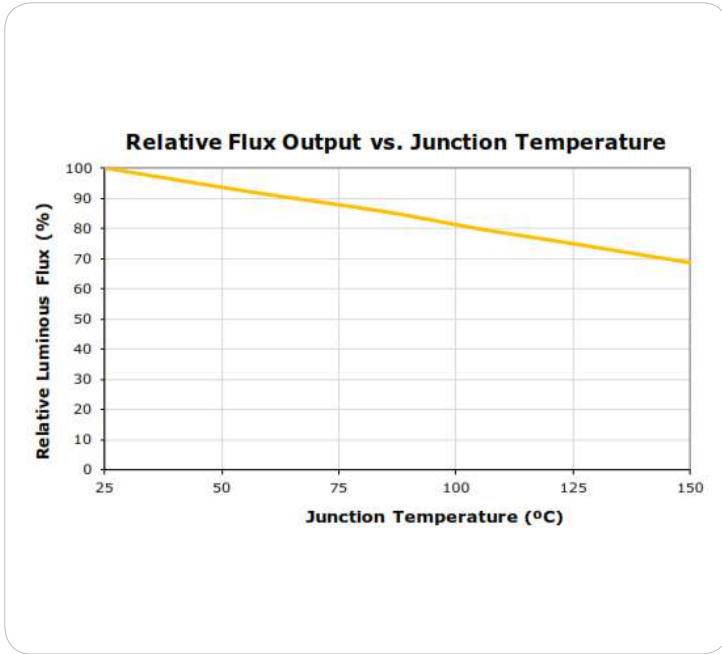
| ITEMS | SYMBOL | CONDITIONS | MIN | TYP | MAX | UNIT |
|------------------------------|--------|------------|-----|------|-----|------|
| Power Output | PO | IF=50mA | -- | 18.8 | -- | mW |
| Forward Voltage | VF | IF=50mA | -- | 2.8 | -- | V |
| Reverse Current | IR | IF=50mA | -- | 2 | -- | μA |
| Peak Emission Wavelength | λp | IF=50mA | -- | 597 | -- | nm |
| Dominant Emission Wavelength | λd | IF=50mA | -- | 589 | -- | nm |
| Spectral Line Half Width | Δλ | IF=50mA | -- | 80 | -- | nm |
| Half Intensity Beam Angle | Θ | IF=50mA | -- | ±6 | -- | deg |

Package Dimensions

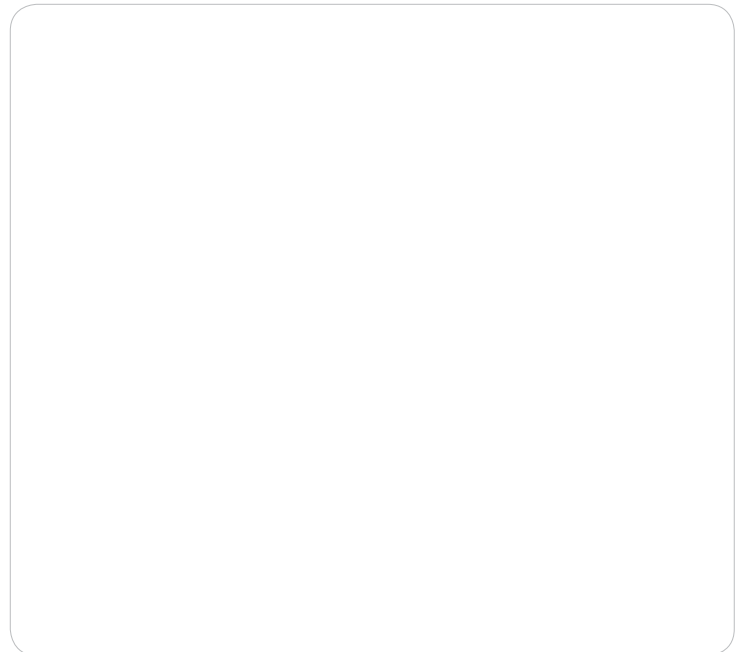
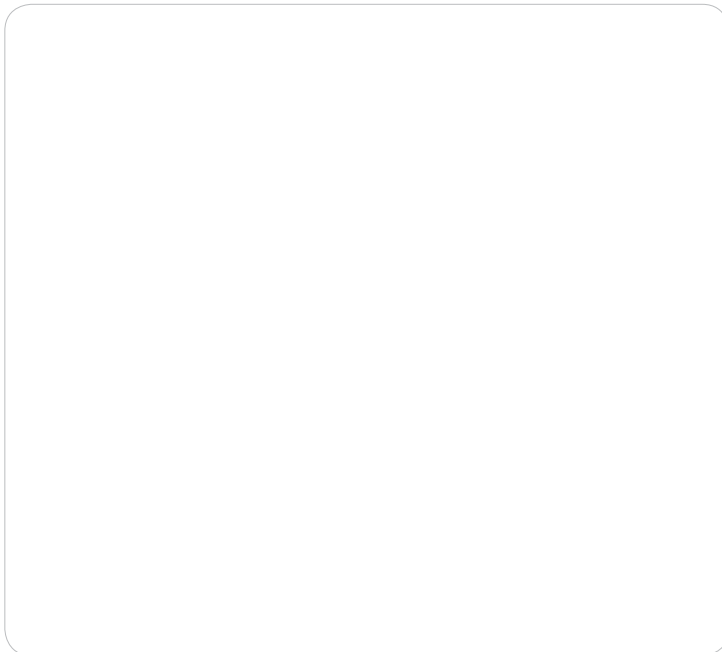
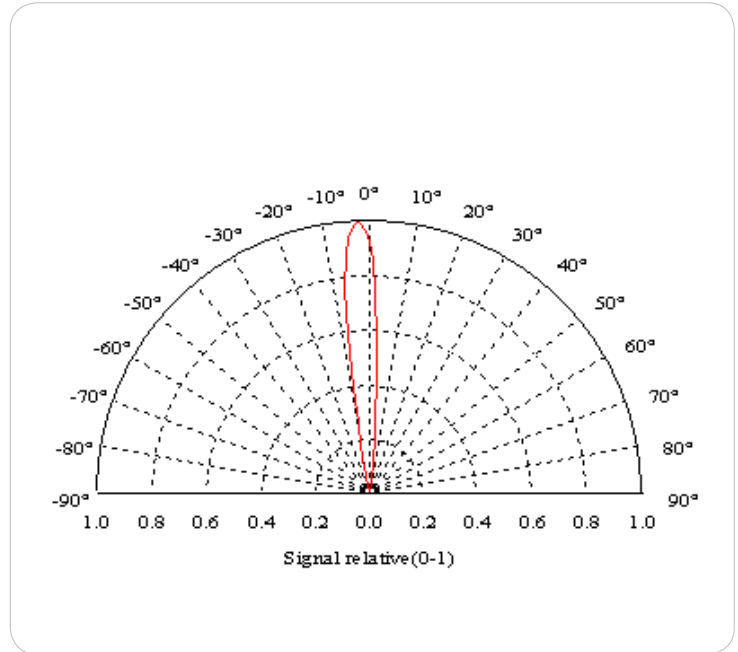
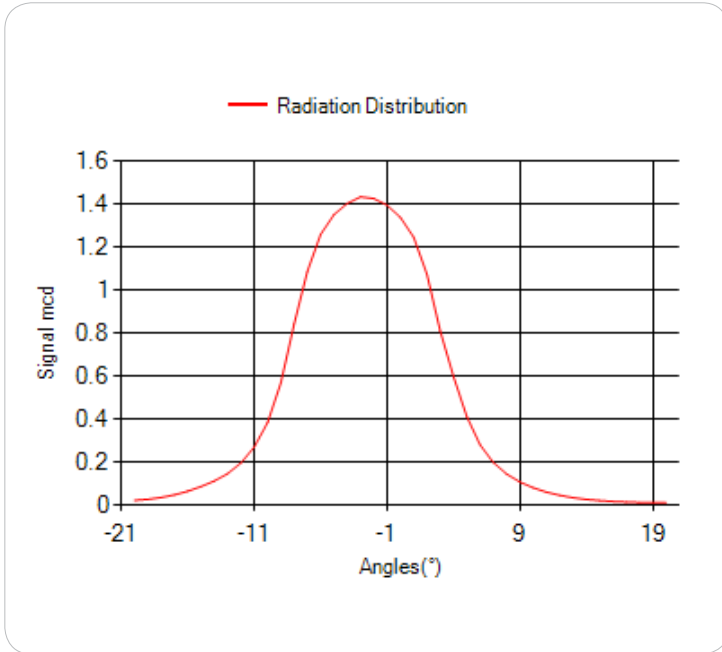


Unit: mm, Tolerance: ± 0.2

Characteristic Curves (Ta = 25°C)



Characteristic Curves (Ta = 25°C)



The information contained herein is subject to change without notice.

2015-04-09