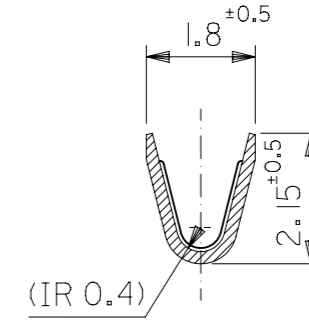
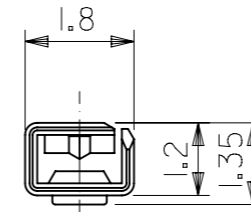
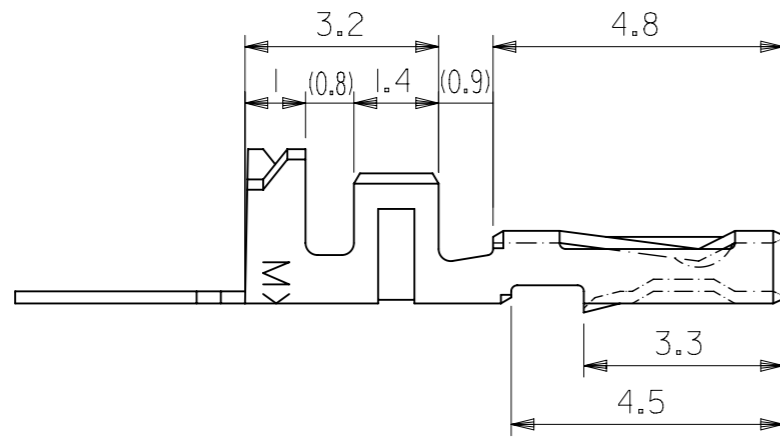


断面 A-A
SECT.A-A



断面 B-B
SECT.B-B



注記
NOTICE

1. 適合ハウジングアッセンブリ :
52117-02**
52117-03**
52117-04**
1. APPLICABLE HOUSING ASSEMBLY :
52117-02**
52117-03**
52117-04**
2. 嵌合相手 : 50038-8*00
2. MATE : 50038-8*00

50039-8100	バラ状 LOOSE
50039-8000	連鎖状 CHAIN
MATERIAL NO.	形状 FORM

材料 MATERIAL	リン青銅 錫メッキ (+0.2) PHOSPHOR BRONZE TIN PLATING(+0.2)
適用電線範囲 WIRE RANGE	AVS-0.3/0.3F AVSS-0.3/0.3F AVSS-0.5/0.5F CAVS-0.3 CAVS-0.5 ISO-0.5 AWG #22/#20
被覆外径 INS. RANGE	φ1.4-1.9

INITIAL REVISION:

DRWN	M.ASAOKA	1996/06/10
CHECK	M.SAKANO	1996/06/10
APPR	M.ENOMOTO	1996/06/10

GENERAL TOLERANCES (UNLESS SPECIFIED)	
10 UNDER	±0.2
10 OVER 30 UNDER	±0.25
30 OVER	±0.3
ANGULAR ±3 °	

THIS DRAWING CONTAINS INFORMATION THAT IS PROPRIETARY TO MOLEX ELECTRONIC TECHNOLOGIES, LLC AND SHOULD NOT BE USED WITHOUT WRITTEN PERMISSION	
DIMENSION UNITS mm	SCALE 8:1
CURRENT REV DESC:	
GENERAL TOLERANCES (UNLESS SPECIFIED)	
ANGULAR TOL	± 3.0 °
4 PLACES	± 0.2
3 PLACES	± 0.25
2 PLACES	± 0.3
1 PLACE	±
0 PLACES	±
DRAFT WHERE APPLICABLE MUST REMAIN WITHIN DIMENSIONS	
THIRD ANGLE PROJECTION	
DRAWING A3-SIZE	SERIES 50039
EC NO: 629483 DRWN: MSATO08 2019/12/18 CHK'D: HIJIMA 2019/12/20 APPR: TOSADA 2019/12/20	
INITIAL REVISION: DRWN: SINAOKA 2012/02/03 APPR: MAYAMAMOTO 2012/02/03	
molex	
2.5 WATERPROOF CONN CRIMP REC	
PRODUCT CUSTOMER DRAWING	
DOCUMENT NUMBER SD-50039-001	DOC TYPE DOC PART REVISION PSD 001 D2
MATERIAL NUMBER SEE CHART	CUSTOMER GENERAL MARKET
SHEET NUMBER 1 OF 1	