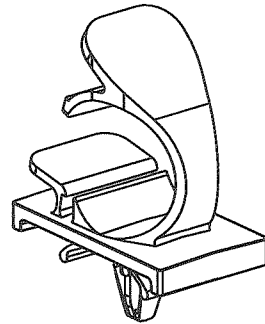
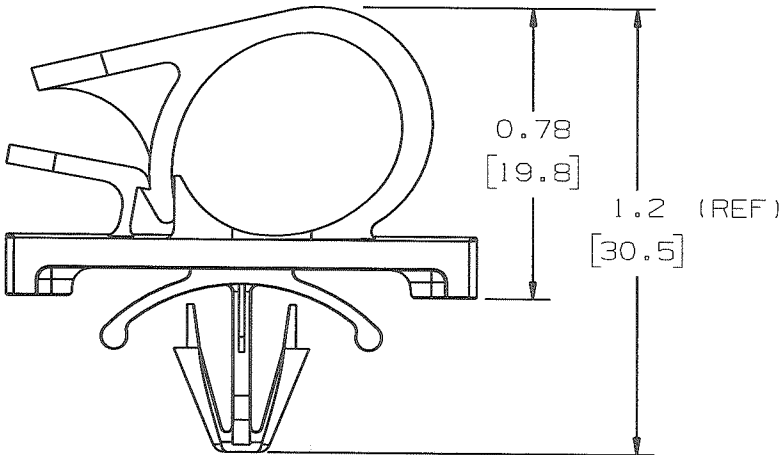
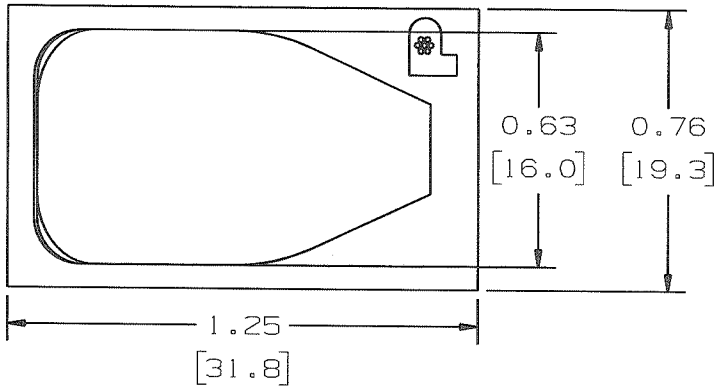


THIS COPY IS PROVIDED ON A RESTRICTED BASIS AND IS NOT TO BE USED IN ANY WAY DETRIMENTAL TO THE INTERESTS OF PANDUIT CORP.



SCALE: FULL

| PANDUIT PART NUMBER* | MAXIMUM CABLE DIA. in. (mm) | WEIGHT lbs. (g)/100pcs | HOLE SIZE DIA. RANGE | PANEL THK. RANGE |
|----------------------|-----------------------------|------------------------|----------------------|-----------------------|
| LWC50H25 | 0.50 [12.7] | 0.86 [392] | 3/16"-1/4" [5-6] | 0.025-0.105 [0.6-2.7] |

NOTES:
 * 1) SEE CURRENT PRICE SHEET FOR PART NUMBER SUFFIX DESIGNATION, FOR PACKAGE SIZE.

DIMENSIONS IN BRACKETS ARE METRIC [mm]

CAD FILENAME/LAYERS 60359760_DC_GB0167BA/00B

PANDUIT CORP. TINLEY PARK, ILLINOIS

LWC50H25
LATCHING WIRE CLIP

| REV | DATE | BY | CHK | DESCRIPTION | ECN | R | CUST | SUP |
|-----|----------|-----|-----------|---|----------|-----|------------|-----|
| 00B | 04/13/09 | GDH | <i>DK</i> | UPDATED PANEL THICKNESS RANGE CONVERSION | GB0167BA | 00B | <i>KLN</i> | |
| 2 | 01/04/99 | DWP | | CHANGED OVERALL HEIGHT DIM. TO REF. | GB0167BA | 2 | | |
| 1 | 10/20/95 | CBJ | | REVISED HOLE SIZE & PANEL THICKNESS RANGE | GB0167BA | 1 | | |
| R | 7/27/93 | KLN | | INITIAL RELEASE | GB0167BA | R | | |

UNLESS OTHERWISE SPECIFIED, DIMENSIONAL TOLERANCES ARE:
 (.X) ±0.05 [1.3] (.XXX) ±0.010 [0.25]
 (.XX) ±0.02 [0.5] ANGLES ± 5°

UNLESS OTHERWISE SPECIFIED, ALL DIMENSIONS ARE GIVEN IN INCHES, THIRD ANGLE PROJECTION.

DRAWN BY KLN

MAT'L:

SCALE

2X

DATE 7/27/93

NYLON 6/6

DRAWING NO.

GB0167BA

DRG

A
SIZE

CHK'D

KLN