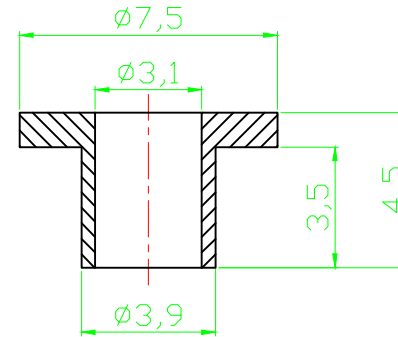


RoHS compliant



Notes  
 Material:SR25  
 Dielectric strength: 380kV/cm  
 Heat resistance:215°C  
 Tensile strength: 80N/mm

Scale	1:1					Date	Name	Customer-No.	
TOLERANCE						Drawn	20.08.2009	Dean	
X.	$\pm X$					Approved	10.03.2010	Andy	
X.X	$\pm X$								
X.XX	$\pm X$								
DIM	TOL	②	Modify drawing layout	10.03.2010	Dean			ASSMANN WSW-No. <b>V5358</b>	
X.°	$\pm X^\circ$	①	Drawn	20.08.2009	Dean			Drawing-No. <b>ASS 0400 HS</b>	rev02
Angle	TOL	Id.	Modification	Date	Name			Replace	Sheet

1

2

3

4

5

6

7