

Part number D50S24AGV000

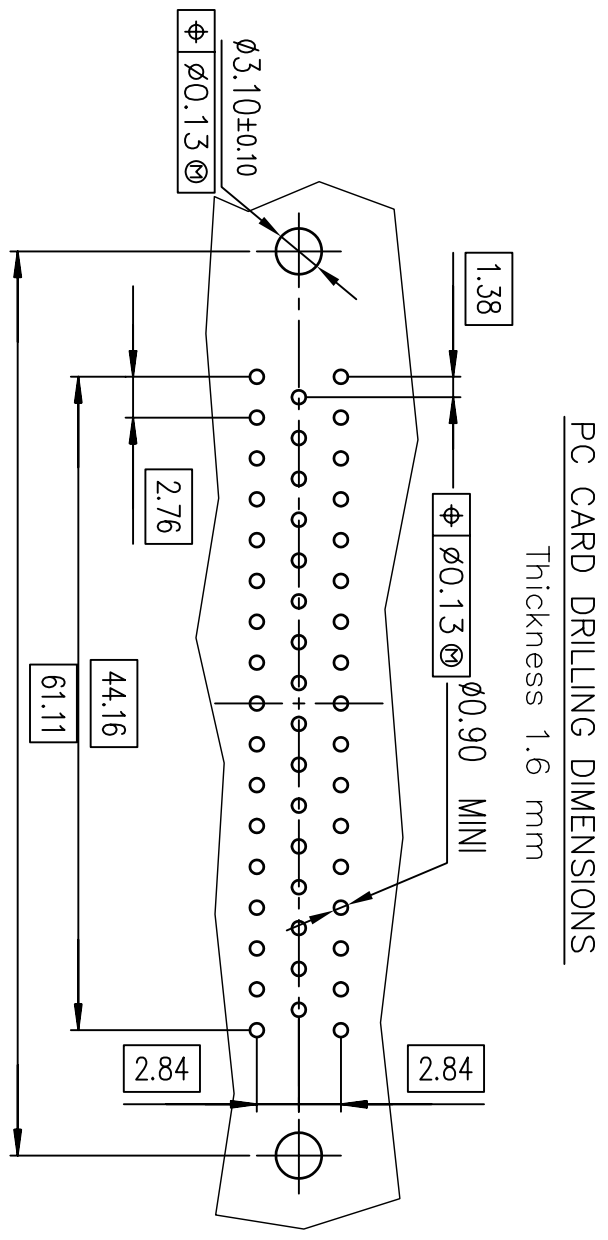
Plating: 4 ---> flash AU
Plating: 6 ---> 0.76µ AU

LEAD FREE PART NUMBER

Plating: 4 ---> flash AU
Plating: 6 ---> 0.76µ AU

Part number D50S24AGV000

rev	ecn no	dr	date
B	-	JOU	1996/11/14
C	LS05-001	MPE	2005/03/14
D	LS06-0095	LGO	2006/06/29
E	110-0059	NG	2010-02-23



PC CARD DRILLING DIMENSIONS
Thickness 1.6 mm

GENERAL CHARACTERISTICS AND ROHS INFORMATIONS:
SEE DRAWING C01-8646-0000

www.fciconnect.com

Dr	Eng	Chr	Appr	surface	tolerance std	projection	size	Scale
JOUBERT	PESSON	NIRMAL GEORGE	SUDHIR VARMA	ISO 1302	ISO 406 ISO 1101	ANGULAR	A3	2
1996/08/23	1996/08/23	2010-02-23	2010-02-23	TOLERANCES UNLESS OTHERWISE SPECIFIED	±0.1	LINEAR	A3	2
					±0.1			
					±0.1			
					±0.1			

FCI FEMALE CONNECTOR DELTA D 50-EUROPE
straight solder, harpoon, screwlock.

Rev. E
C01-8646-0479
CUSTOMER sheet 1 of 1