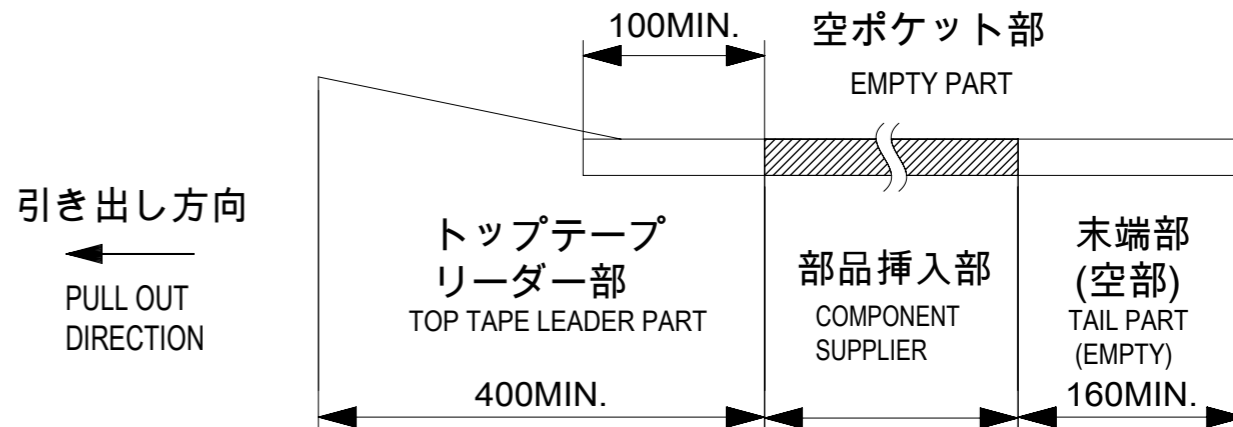


NOTES

- 梱包数量 : 1500個 / リール
NUMBER OF CONNECTORS : 1500 PCS/REEL.
- リードテープ長さ
LEAD TAPE LENGTH



- カバーテープの剥離強度については、IEC60286-3に準拠。
TOP TAPE PEEL FORCE IS DEFINED BY IEC 60286-3.
- 製品詳細寸法については、図面 2004851400を参照下さい。
FOR DIMENSIONS OF PRODUCT, REFER TO 2004851400
- 材料 MATERIAL
キャリアテープ : ポリスチレン
CARRIER TAPE : POLYSTYRENE
トップテープ : ポリエチレンテレフタレート、ポリエチレン
TOP TAPE : POLYETHYLENE TEREPHTHALATE, POLYETHYLENE
リール : ポリスチレン<リサイクル材を含む>
REEL: POLYSTYRENE RECYCLED MATERIAL CONTAINED
- ELV及びRoHS適合品 ELV AND RoHS COMPLIANT.

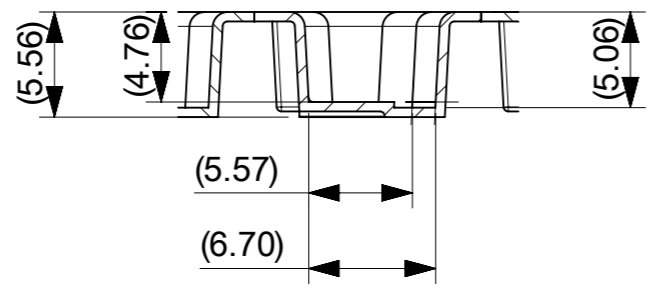
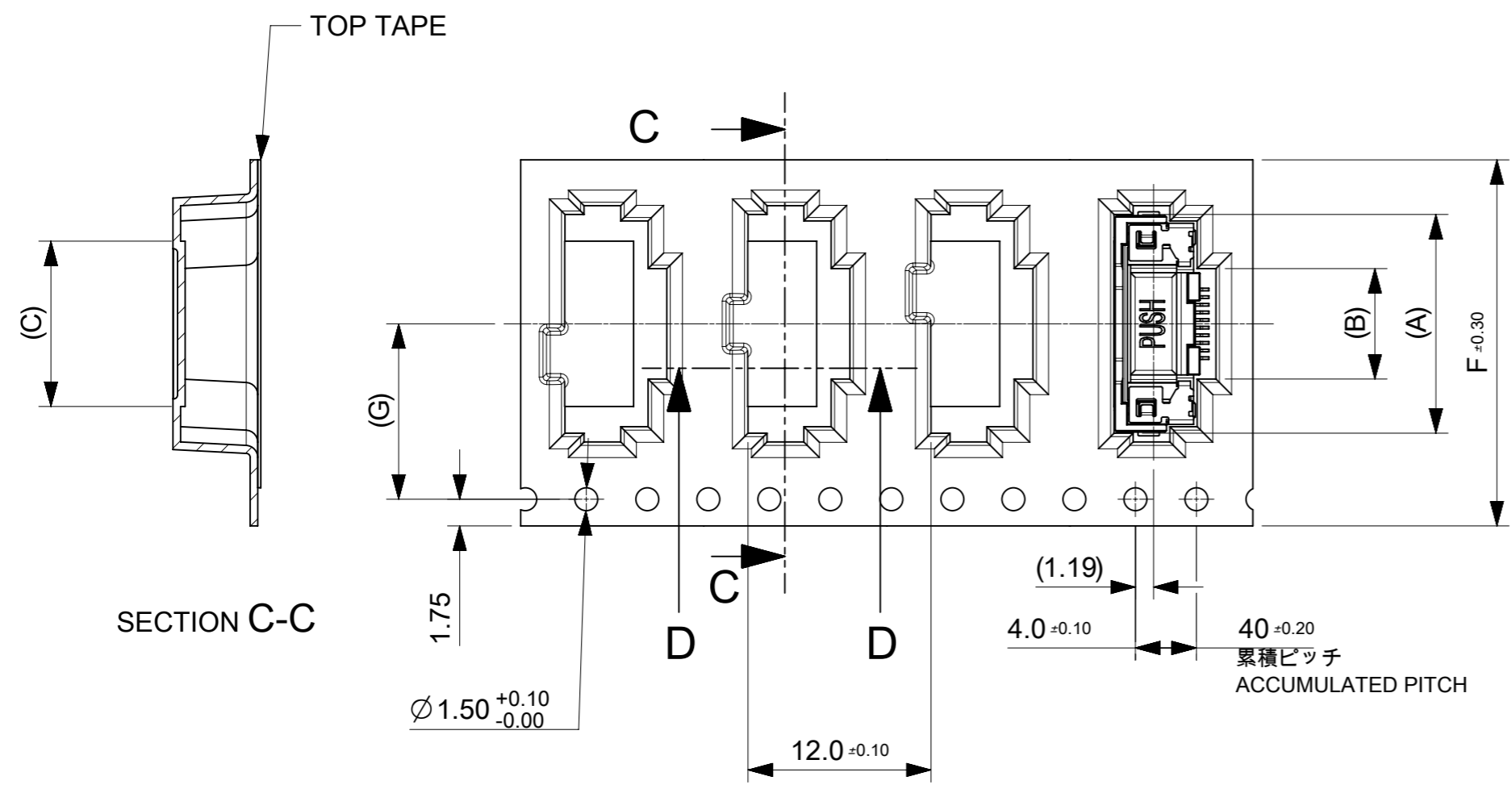
THIS DRAWING CONTAINS INFORMATION THAT IS PROPRIETARY TO MOLEX ELECTRONIC TECHNOLOGIES, LLC AND SHOULD NOT BE USED WITHOUT WRITTEN PERMISSION		CURRENT REV DESC:		molex		
DIMENSION UNITS	SCALE					
mm	NTS			EMB PKG ONE-TOUCH RA		
GENERAL TOLERANCES (UNLESS SPECIFIED)				PRODUCT CUSTOMER DRAWING		
ANGULAR TOL	± 1.0 °			DOCUMENT NUMBER		
4 PLACES	± 0.1	EC NO: 648126		2004850400		
3 PLACES	± 0.1	DRWN: TYAMANE		PSD		
2 PLACES	± 0.1	CHK'D: YMATSUMOTO		000		
1 PLACE	± 0.1	APPR: SHOSHIKAWA		B		
0 PLACES	± 0.1	INITIAL REVISION:		REVISION		
DRAFT WHERE APPLICABLE MUST REMAIN WITHIN DIMENSIONS		THIRD ANGLE PROJECTION	DRAWING	SERIES	MATERIAL NUMBER	CUSTOMER
			A3-SIZE	200485	SEE TABLE	GENERAL
						SHEET NUMBER
						1 OF 3

10 9 8 7 6 5 4 3 2 1

F
E
D
C
B
A

引き出し方向
PULL OUT
DIRECTION

TOP TAPE



SECTION D-D

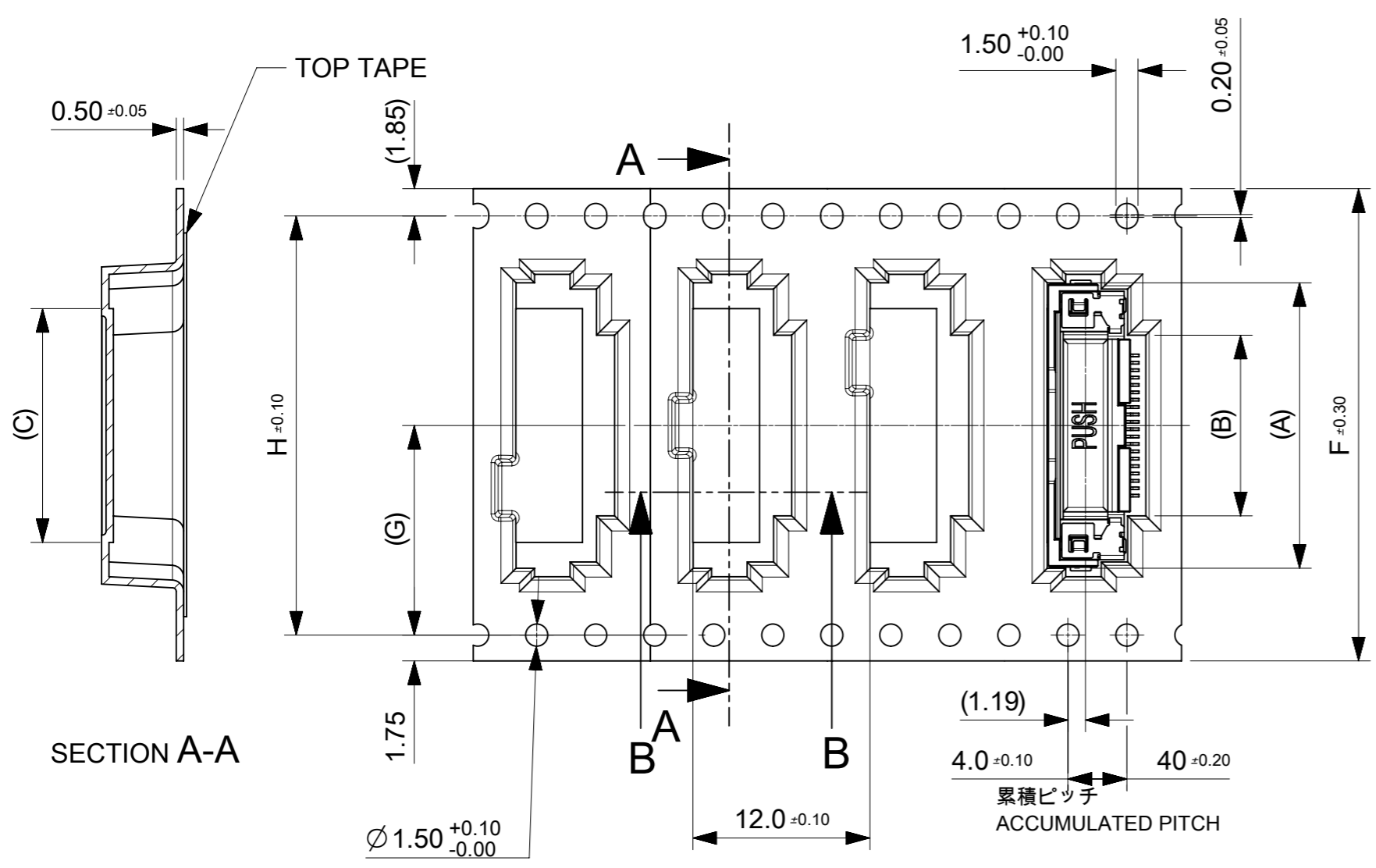
11.5	24	29.4	25.4	10.84	7.04	14.34	2004850410	10
G	F	E	D	C	B	A	EMBOSSED PACKAGE	Ckt
							オーダー番号 ORDER NO.	

THIS DRAWING CONTAINS INFORMATION THAT IS PROPRIETARY TO MOLEX ELECTRONIC TECHNOLOGIES, LLC AND SHOULD NOT BE USED WITHOUT WRITTEN PERMISSION											
DIMENSION UNITS		SCALE		CURRENT REV DESC:						molex	
mm		NTS									
GENERAL TOLERANCES (UNLESS SPECIFIED)				EC NO: 648126						EMB PKG ONE-TOUCH RA	
ANGULAR TOL ± 1.0 °				DRWN: TYAMANE 2020/10/15						PRODUCT CUSTOMER DRAWING	
4 PLACES ± 0.1				CHK'D: YMATSUMOTO 2020/10/30						DOCUMENT NUMBER	
3 PLACES ± 0.1				APPR: SHOSHIKAWA 2020/11/02						2004850400	
2 PLACES ± 0.1				INITIAL REVISION:						DOC TYPE	
1 PLACE ± 0.1				DRWN: TYAMANE 2018/09/28						PSD	
0 PLACES ± 0.1				APPR: SHOSHIKAWA 2020/06/08						DOC PART	
DRAFT WHERE APPLICABLE MUST REMAIN WITHIN DIMENSIONS				THIRD ANGLE PROJECTION		DRAWING		SERIES		REVISION	
				A3-SIZE		200485		GENERAL		B	
				MATERIAL NUMBER		CUSTOMER		SHEET NUMBER			
				SEE TABLE		GENERAL		2 OF 3			

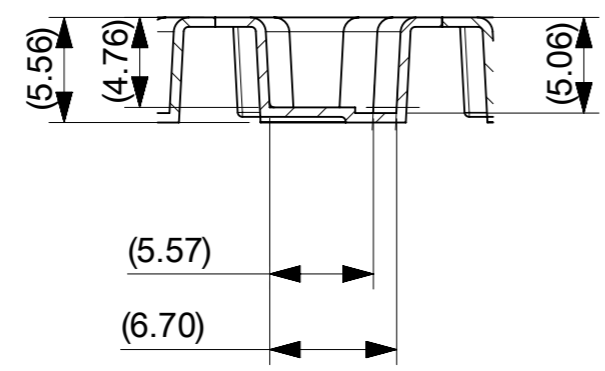
CONNECTOR NO. 20048514**

9 8 7 6 5 4 3 2 1

引き出し方向
PULL OUT
DIRECTION



SECTION A-A



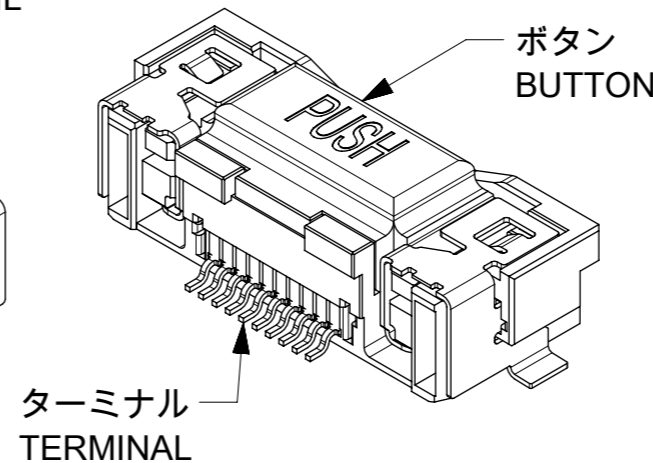
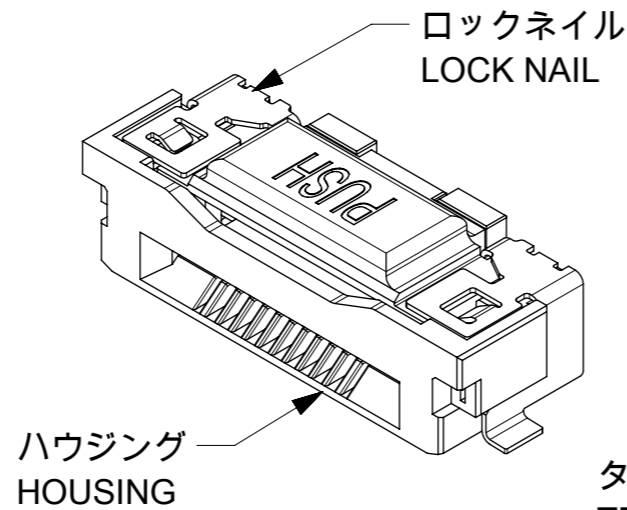
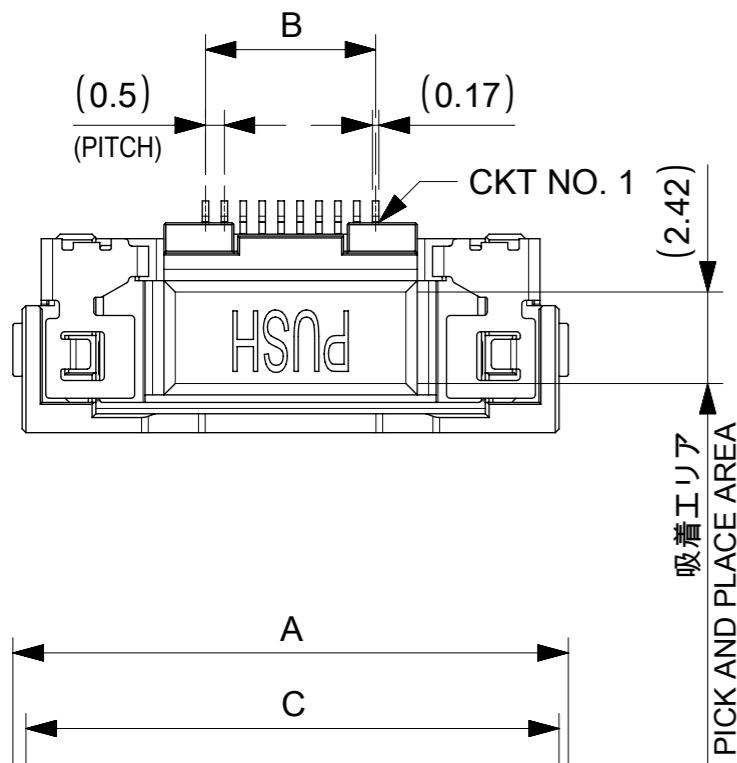
SECTION B-B

68.4	34.2	72	78.1	73.5	45.84	42.04	49.34	2004850480	80
					40.84	37.04	44.34	2004850470	70
52.4	26.2	56	61.4	75.4	35.84	32.04	39.34	2004850460	60
					31.34	27.54	34.84	2004850451	51
					30.84	27.04	34.34	2004850450	50
40.4	20.2	44	49.4	45.4	25.84	22.04	29.34	2004850440	40
					23.34	19.54	26.84	2004850435	35
					20.84	17.04	24.34	2004850430	30
28.4	14.2	32	37.4	33.4	15.84	12.04	19.34	2004850420	20
H	G	F	E	D	C	B	A	EMBOSSED PACKAGE	Ckt
								オーダー番号 ORDER NO.	

CONNECTOR NO. 20048514**

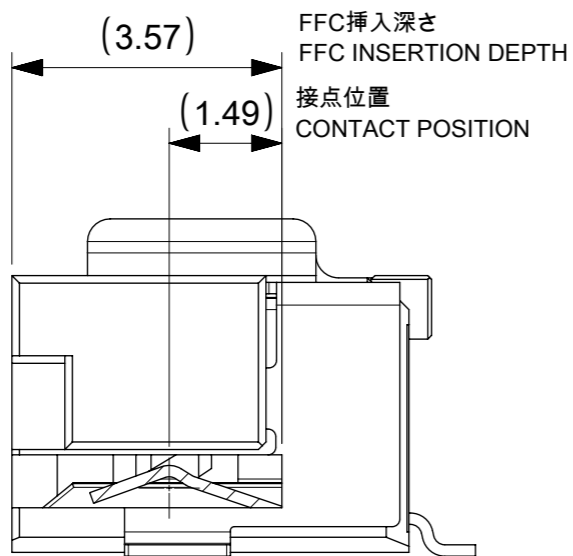
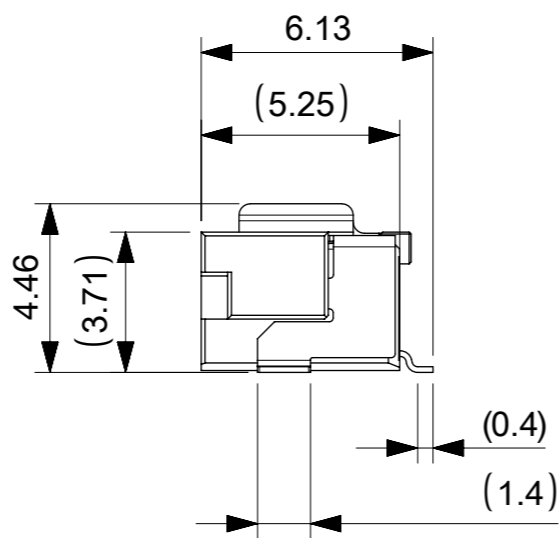
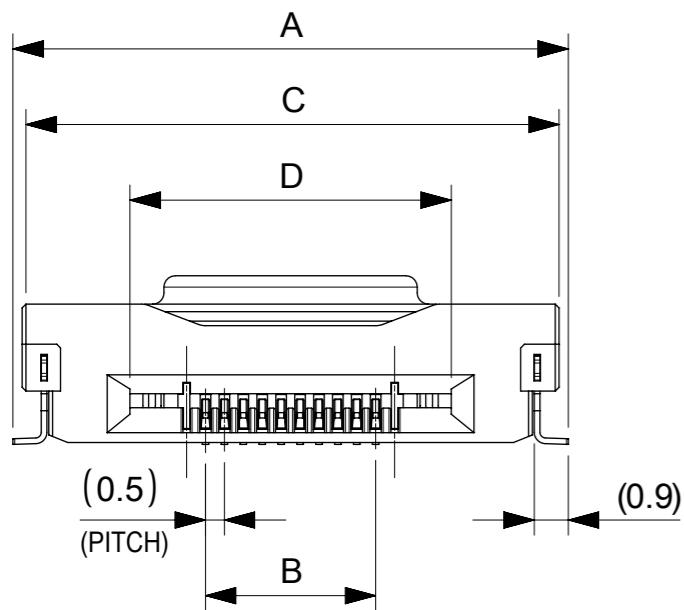
THIS DRAWING CONTAINS INFORMATION THAT IS PROPRIETARY TO MOLEX ELECTRONIC TECHNOLOGIES, LLC AND SHOULD NOT BE USED WITHOUT WRITTEN PERMISSION

DIMENSION UNITS	SCALE	CURRENT REV DESC:		molex	
mm	NTS				
GENERAL TOLERANCES (UNLESS SPECIFIED)		EC NO: 648126		EMB PKG ONE-TOUCH RA	
ANGULAR TOL ± 1.0°		DRWN: TYAMANE 2020/10/15		PRODUCT CUSTOMER DRAWING	
4 PLACES ± 0.1		CHK'D: YMATSUMOTO 2020/10/30		DOCUMENT NUMBER	
3 PLACES ± 0.1		APPR: SHOSHIKAWA 2020/11/02		2004850400	
2 PLACES ± 0.1		INITIAL REVISION:		DOC TYPE	
1 PLACE ± 0.1		DRWN: TYAMANE 2018/09/28		PSD	
0 PLACES ± 0.1		APPR: SHOSHIKAWA 2020/06/08		DOC PART	
DRAFT WHERE APPLICABLE MUST REMAIN WITHIN DIMENSIONS		THIRD ANGLE PROJECTION		REVISION	
		DRAWING		B	
		SERIES		SHEET NUMBER	
		A3-SIZE		3 OF 3	
		MATERIAL NUMBER		CUSTOMER	
		200485		GENERAL	
		SEE TABLE			



NOTES:

- 1.使用材料 MATERIAL
 ハウジング: 液晶ポリマー, ガラス充填, UL94V-0(黒)
 HOUSING: LIQUID CRYSTAL POLYMER, GLASS FILLED, UL94V-0(BLACK)
 ボタン: 液晶ポリマー, ガラス充填, UL94V-0(ナチュラル)
 BUTTON: LIQUID CRYSTAL POLYMER, GLASS FILLED, UL94V-0(NATURAL)
 ターミナル: 銅合金(t=0.15)
 TERMINAL: COPPER ALLOY
 ロックネイル: 銅合金(t=0.15)
 LOCK NAIL: COPPER ALLOY
- 2.めっき仕様 PLATING
 ターミナル TERMINAL
 接点部: 金めっき 0.1μm以上
 CONTACT AREA: GOLD 0.1 MICROMETER MINIMUM
 半田付け部: 金めっき
 SOLDER TAIL AREA: GOLD
 下地めっき: ニッケル 1.0μm以上
 UNDERPLATE: NICKEL 1.0 MICROMETER MINIMUM
 ロックネイル LOCK NAIL
 錫めっき(1.0μm以上)
 TIN PLATING (1.0 MICROMETER MIN.)
- 3.平坦度は0.1ミリ以下とする。
 COPLANALITY TO BE 0.1 MAXIMUM.



1.302	43.5	49.2	39.5	49.69	2004850480	80
1.195	38.5	44.2	34.5	44.69	2004850470	70
1.054	33.5	39.2	29.5	39.69	2004850460	60
0.958	29	34.7	25	35.19	2004850451	51
0.942	28.5	34.2	24.5	34.69	2004850450	50
0.796	23.5	29.2	19.5	29.69	2004850440	40
0.702	21	26.7	17	27.19	2004850435	35
0.650	18.5	24.2	14.5	24.69	2004850430	30
0.505	13.5	19.2	9.5	19.69	2004850420	20
0.359	8.5	14.2	4.5	14.69	2004850410	10
NET WEIGHT (g)	D	C	B	A	EMBOSSED PACKAGE	CIRCUIT

CONNECTOR SERIES NO. 20048514**

THIS DRAWING CONTAINS INFORMATION THAT IS PROPRIETARY TO MOLEX ELECTRONIC TECHNOLOGIES, LLC AND SHOULD NOT BE USED WITHOUT WRITTEN PERMISSION		CURRENT REV DESC:		molex			
DIMENSION UNITS	SCALE						
mm	5:1			0.5FFC CONN. RA ONE TOUCH ASS'Y			
GENERAL TOLERANCES (UNLESS SPECIFIED)							
ANGULAR TOL	± 1.0°			PRODUCT CUSTOMER DRAWING			
4 PLACES	± 0.1						
3 PLACES	± 0.1			DOCUMENT NUMBER: 2004851400			
2 PLACES	± 0.1						
1 PLACE	± 0.1			DOC TYPE: PSD			
0 PLACES	± 0.1						
DRAFT WHERE APPLICABLE MUST REMAIN WITHIN DIMENSIONS		THIRD ANGLE PROJECTION		DRAWING: A3-SIZE		SERIES: 200485	
				MATERIAL NUMBER: SEE TABLE		CUSTOMER: GENERAL	
				SHEET NUMBER: 1 OF 2			

