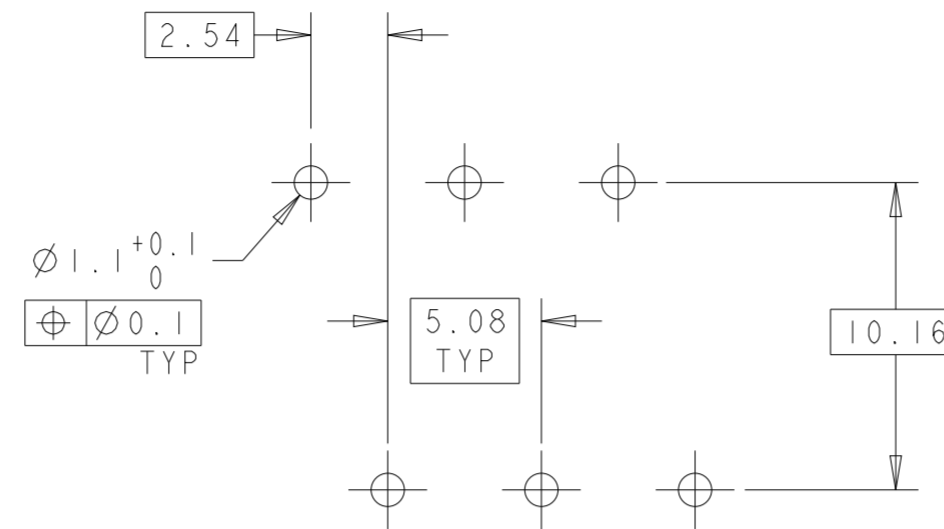
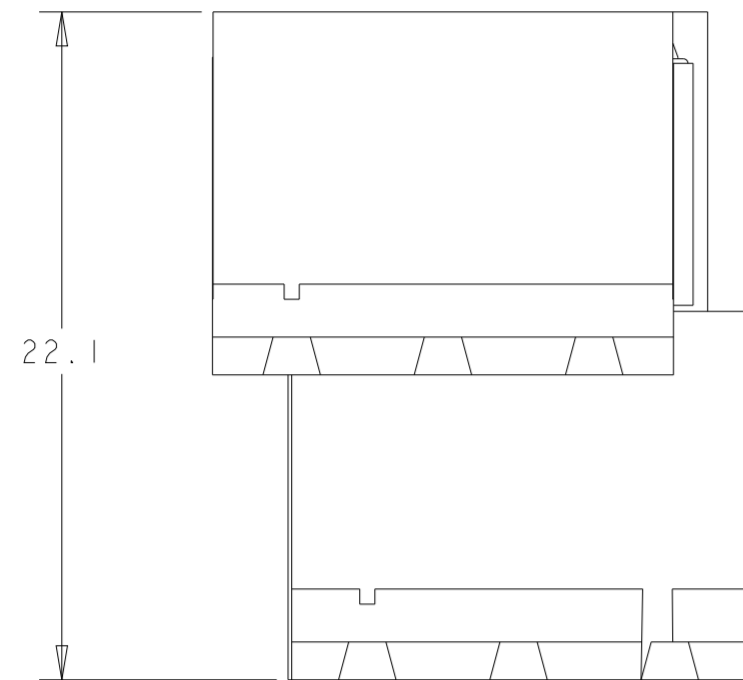
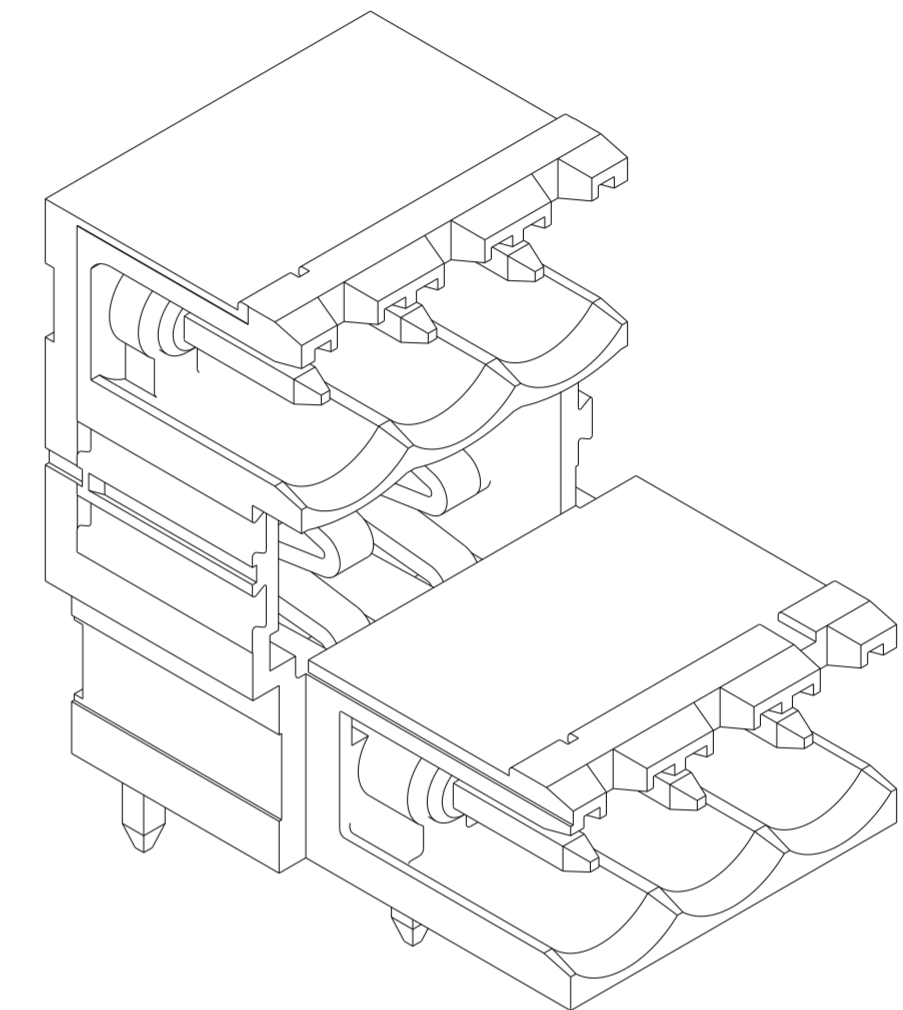


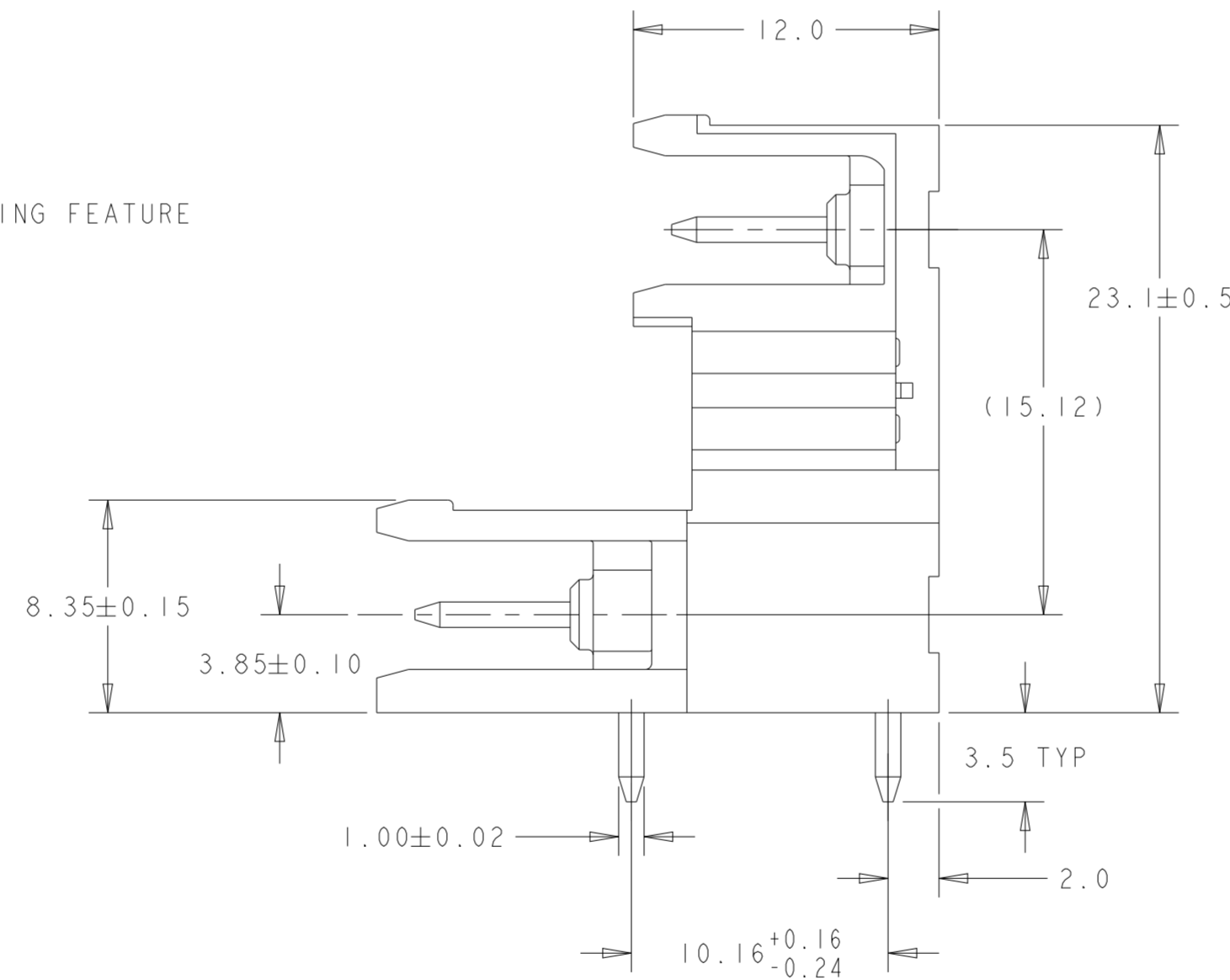
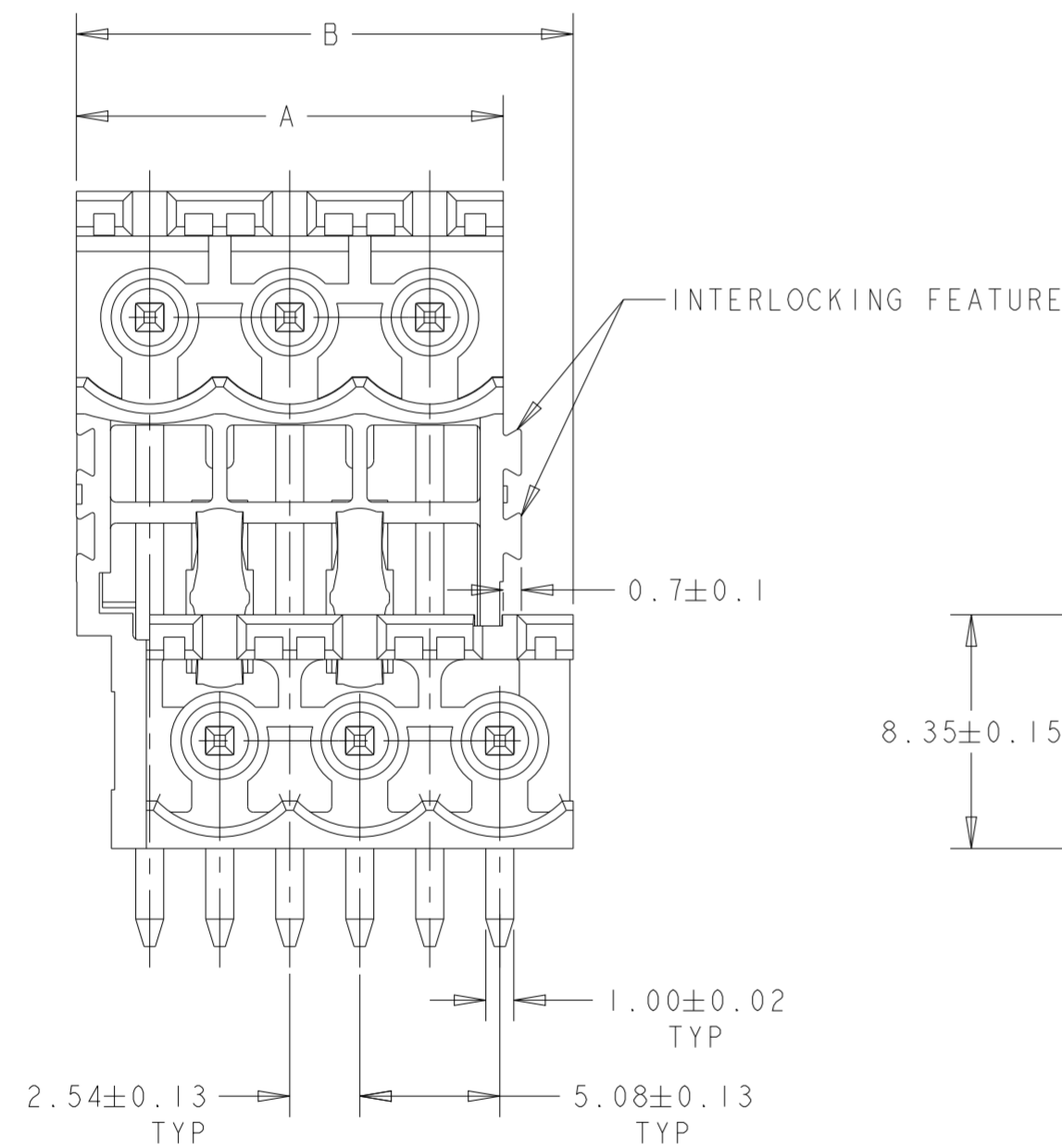
P	LTR	DESCRIPTION	DATE	DWN	APVD
G		DESIGN IMPROVEMENT IN NEW MOLD	12MAY2020	DV	PS
H		REVISED AS PER PCN: E-20-012940	12OCT2021	SCB	SS



RECOMMENDED PC BOARD LAYOUT



284053-3 AS SHOWN



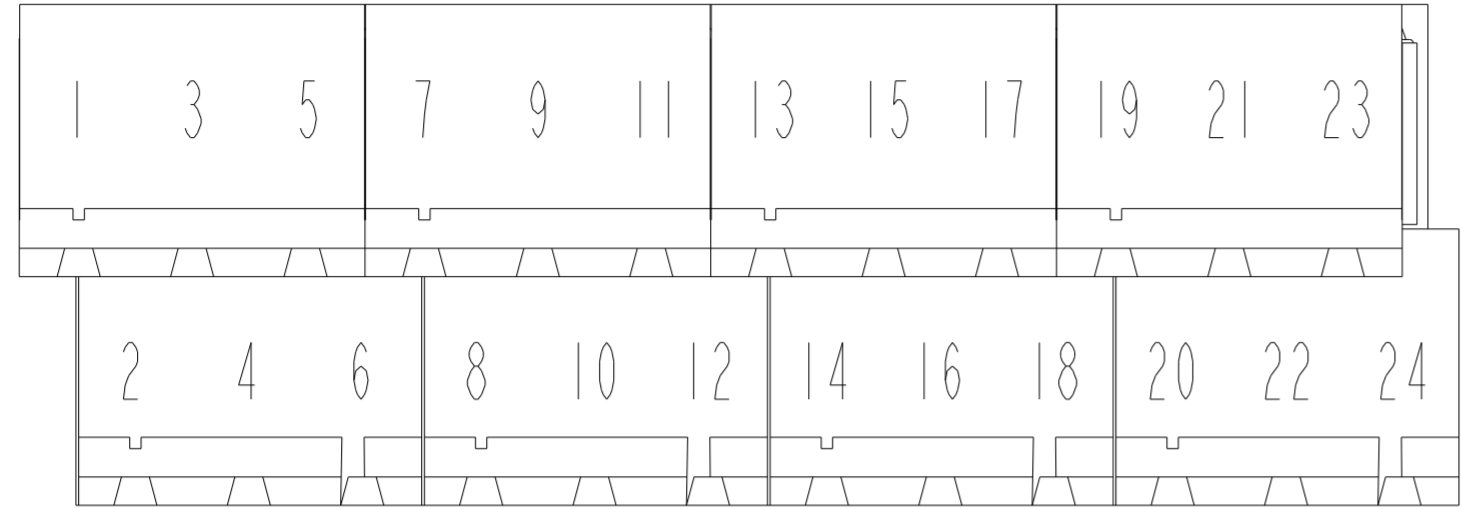
SEE DETAIL G	71.12	60.96	12	2-284053-2	5
SEE DETAIL F	71.12	60.96	12	2-284053-1	5
SEE DETAIL E	71.12	60.96	12	2-284053-0	5
SEE DETAIL D	71.12	60.96	12	1-284053-9	5
SEE DETAIL C	71.12	60.96	12	1-284053-8	5
-	73.66	71.12	14	1-284053-4	
-	58.42	55.88	11	1-284053-1	
-	43.18	40.64	8	284053-8	5
-	33.02	30.48	6	284053-6	
-	27.94	25.40	5	284053-5	
-	17.78	15.24	3	284053-3	
-	12.70	10.16	2	284053-2	
MARKING	B	A	NO OF POSN	PART NUMBER	

- 1 MATERIALS AND FINISH
HOUSING: PA 6-6, UL 94-V0, COLOR GREEN.
TERMINAL: COPPER ALLOY, TIN PLATED.
- 2. SUITABLE FOR 1,6-2,4mm PC BOARD THICKNESS.
- 3. END-TO-END STACKABLE WITHOUT LOSS OF CENTERLINE SPACING.
- 4 INK MARKED WITH BLACK PERMANENT INK.
- 5 THIS PART NUMBER IS PRELIMINARY PRIOR TO CUSTOMER ORDER.
CONTACT PRODUCT ENGINEERING BEFORE USING THIS PART.

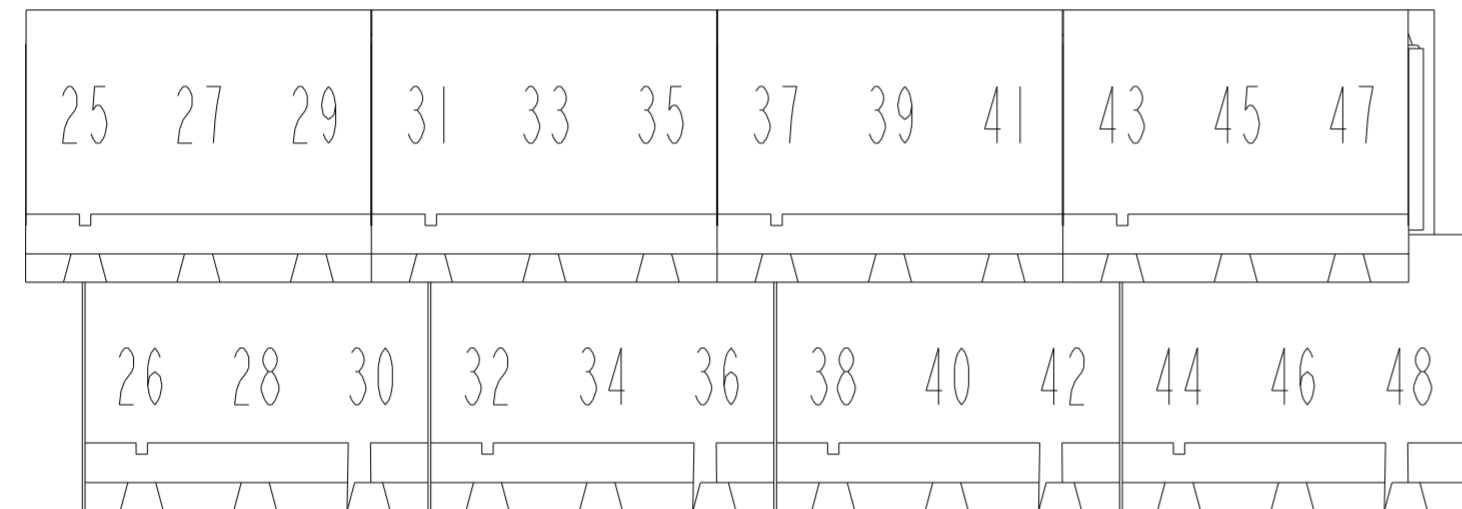
THIS DRAWING IS A CONTROLLED DOCUMENT.

DIMENSIONS: mm	TOLERANCES UNLESS OTHERWISE SPECIFIED:	DWN S. WELDON 03JUN2003	TE Connectivity
		CHK C. RICHARD 03JUN2003	
		APVD C. RICHARD 03JUN2003	
		PRODUCT SPEC	
MATERIAL	FINISH	APPLICATION SPEC 114-20079	NAME TERMINAL BLOCK, MULTIPLE HEADER ASSEMBLY, 90 DEGREE STACKING W/INTERLOCK, 5.08mm PITCH
		WEIGHT	SIZE A2
		CUSTOMER DRAWING	CAGE CODE 00779
			DRAWING NO C-284053
			RESTRICTED TO
			SCALE 4:1 SHEET 1 OF 2 REV H

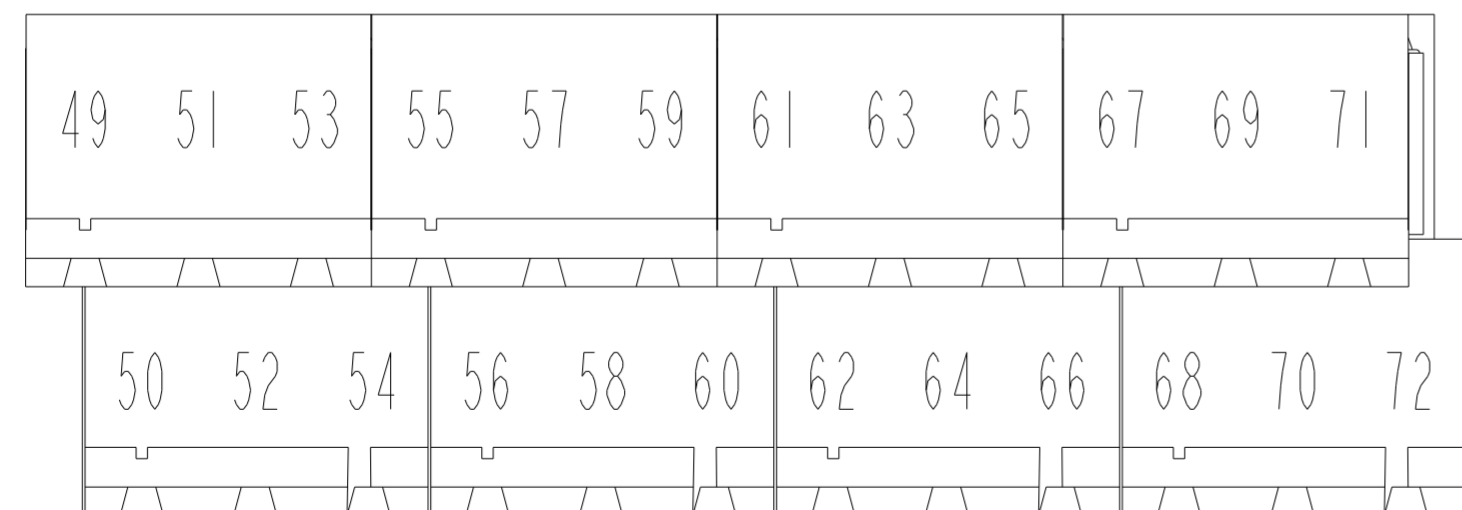
REVISIONS				
P	LTR	DESCRIPTION	DATE	APVD
-	-	SEE SHEET 1	-	-



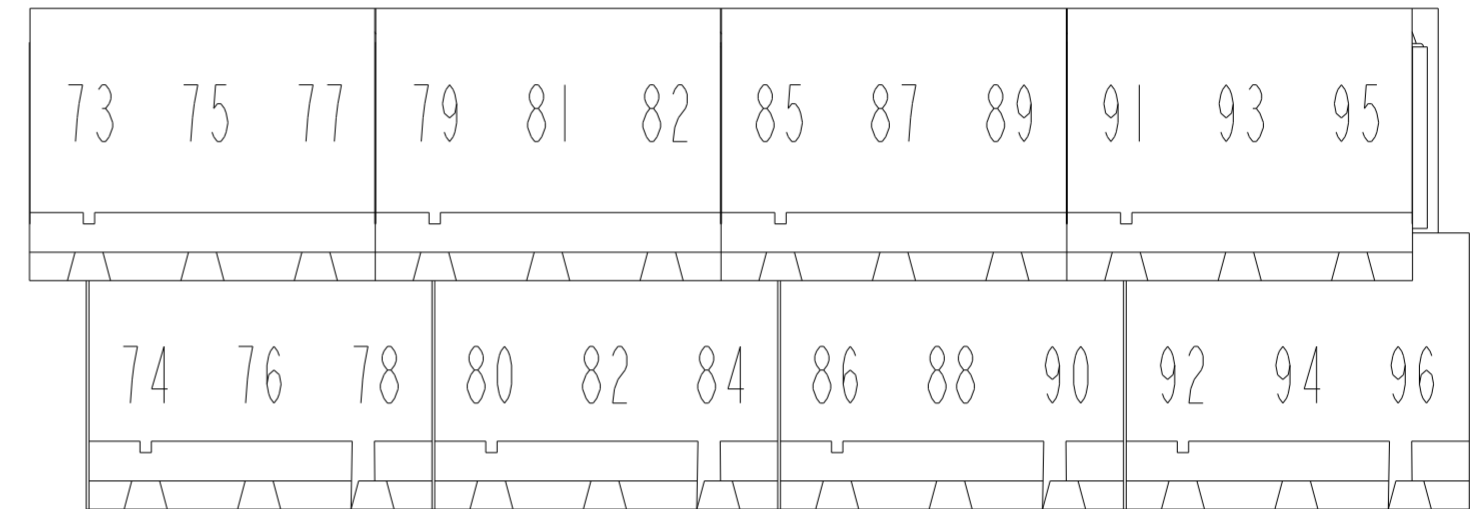
5
DETAIL C
SCALE 3:1



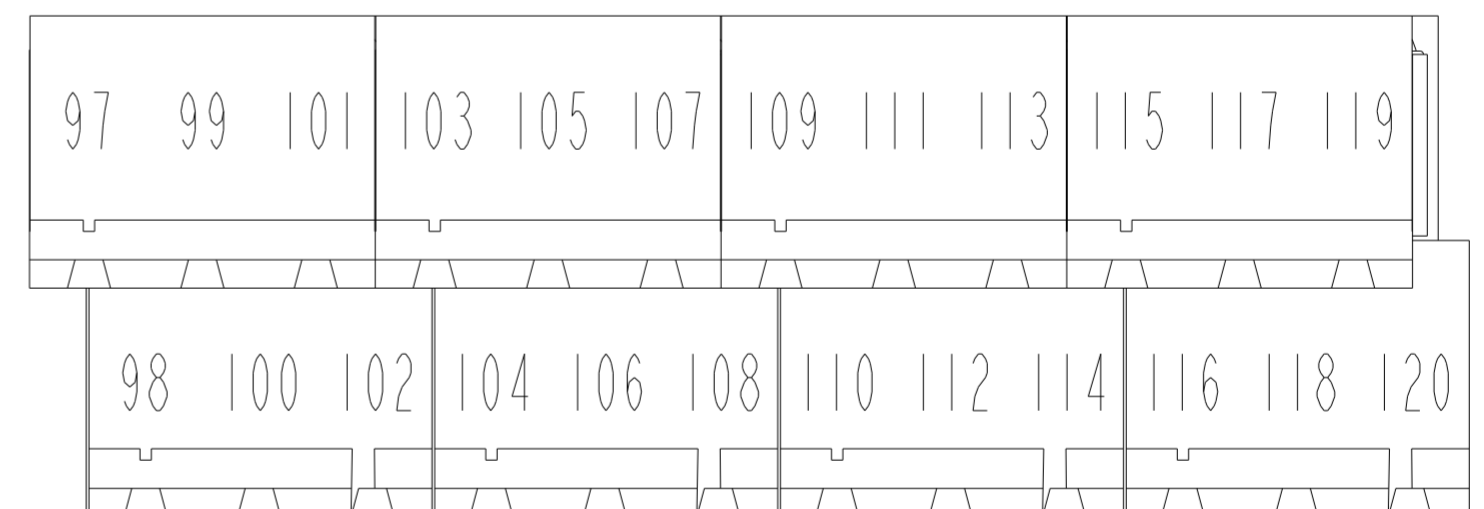
5
DETAIL D
SCALE 3:1



5
DETAIL E
SCALE 3:1



5
DETAIL F
SCALE 3:1



5
DETAIL G
SCALE 3:1

THIS DRAWING IS A CONTROLLED DOCUMENT.		DWN S. WELDON 03JUN2003	TE Connectivity			
DIMENSIONS: mm		CHK C. RICHARD 03JUN2003				
TOLERANCES UNLESS OTHERWISE SPECIFIED:		APVD C. RICHARD 03JUN2003	NAME TERMINAL BLOCK, MULTIPLE HEADER ASSEMBLY, 90 DEGREE STACKING W/INTERLOCK, 5.08mm PITCH			
		PRODUCT SPEC	SIZE	CAGE CODE	DRAWING NO	RESTRICTED TO
MATERIAL		APPLICATION SPEC 114-20079	A2	00779	C-284053	-
WEIGHT		CUSTOMER DRAWING	SCALE	SHEET	OF	REV
FINISH			4:1	2	2	H