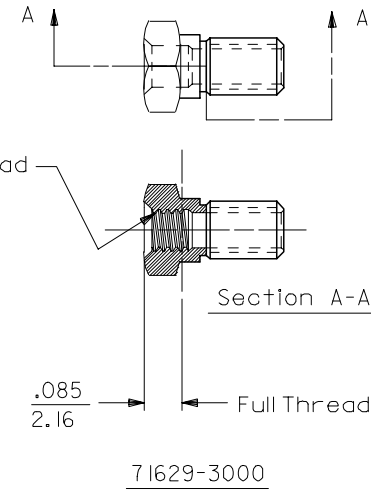
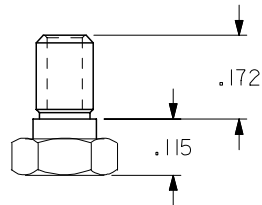
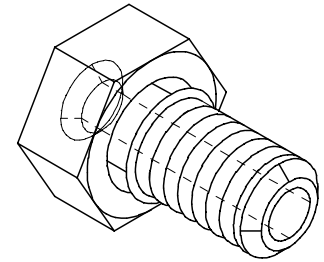
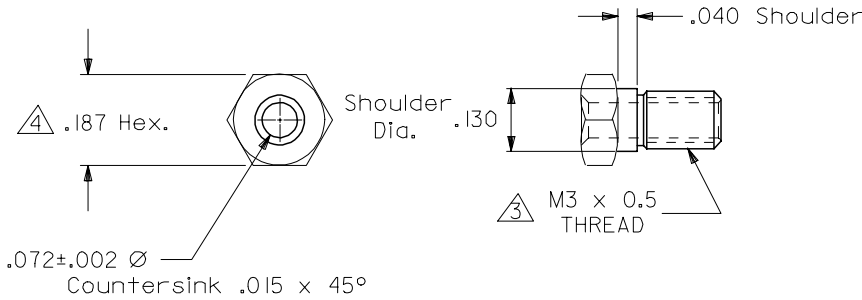
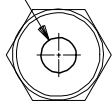


ENGINEERING NO.	PART NO.	DESCRIPTION
71629-3000	71629-3000	INTERNAL THREADS
71629-4000	71629-4000	LEAD-IN COUNTERSINK



71629-4000:
Countersink .050 x 45°



- NOTES:
1. MATERIAL: COLD DRAWN STEEL.
 2. FINISH: NICKEL PLATED.
 3. MAXIMUM APPLIED BODY TORQUE: 5 IN-LBS.
 4. SOCKET SIZE: 3/16 IN.
 5. TO BE BULK PACKED IN A BAG WITH A QUANTITY OF 500 PARTS PER BAG

ADD NOTE 5 EC NO: UCP2008-0088 TDRWNMSIBARRA 2007/07/26 CHKD:MORGAN 2007/08/06 APPR:SMILLER 2007/08/08	QUALITY SYMBOLS	GENERAL TOLERANCES (UNLESS SPECIFIED)	DIMENSION STYLE INCH ONLY	SCALE 4:1	DESIGN UNITS INCH	THIRD ANGLE PROJECTION	
	▽=0	4 PLACES ± --- ± ---	DRAWN BY MOS	DATE 1993/03/11	TITLE GUIDE SLEEVE LFH CONNECTOR SYSTEM		
	▽=0	3 PLACES ± --- ± .010	CHECKED BY BIXLER	DATE 1993/03/11	MOLEX INCORPORATED		
		2 PLACES ± --- ± ---	APPROVED BY BIXLER	DATE 1993/03/11	MATERIAL NO. SEE TABLE	DOCUMENT NO. SDA-71629-****	SHEET NO. 1 OF 1
		1 PLACE ± --- ± ---	ANGULAR ±1/2°		THIS DRAWING CONTAINS INFORMATION THAT IS PROPRIETARY TO MOLEX INCORPORATED AND SHOULD NOT BE USED WITHOUT WRITTEN PERMISSION		
		DRAFT WHERE APPLICABLE MUST REMAIN WITHIN DIMENSIONS					