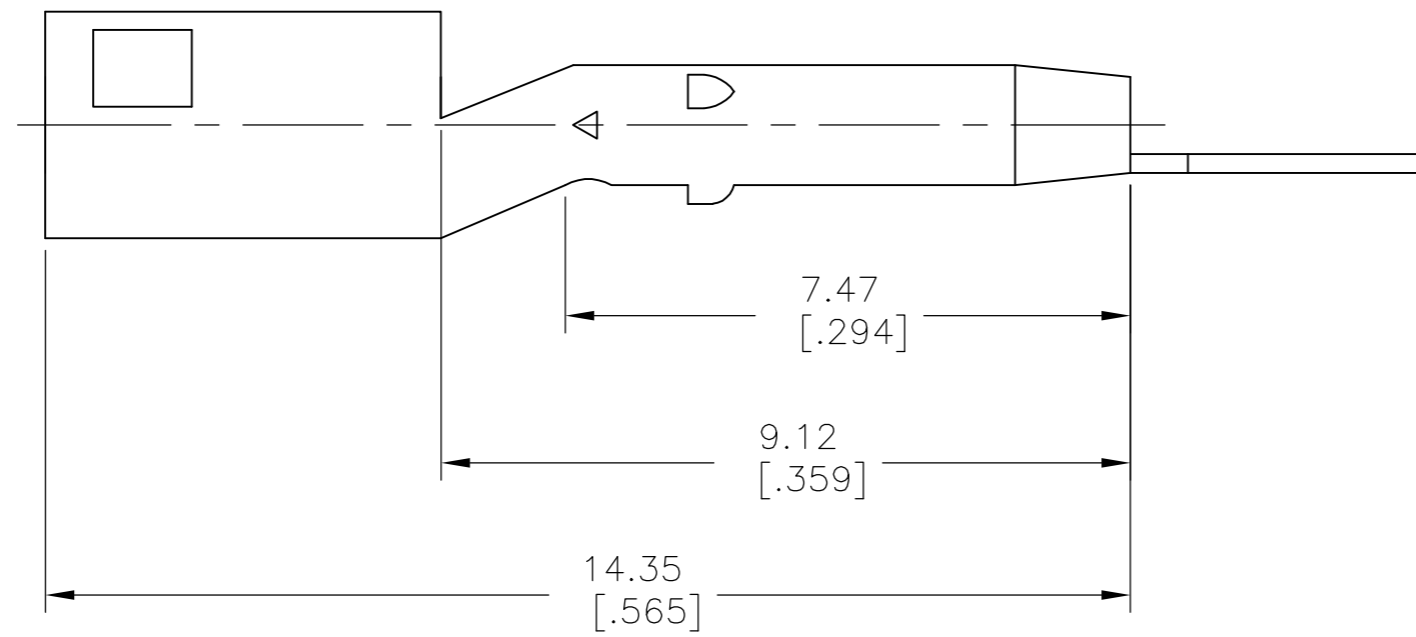
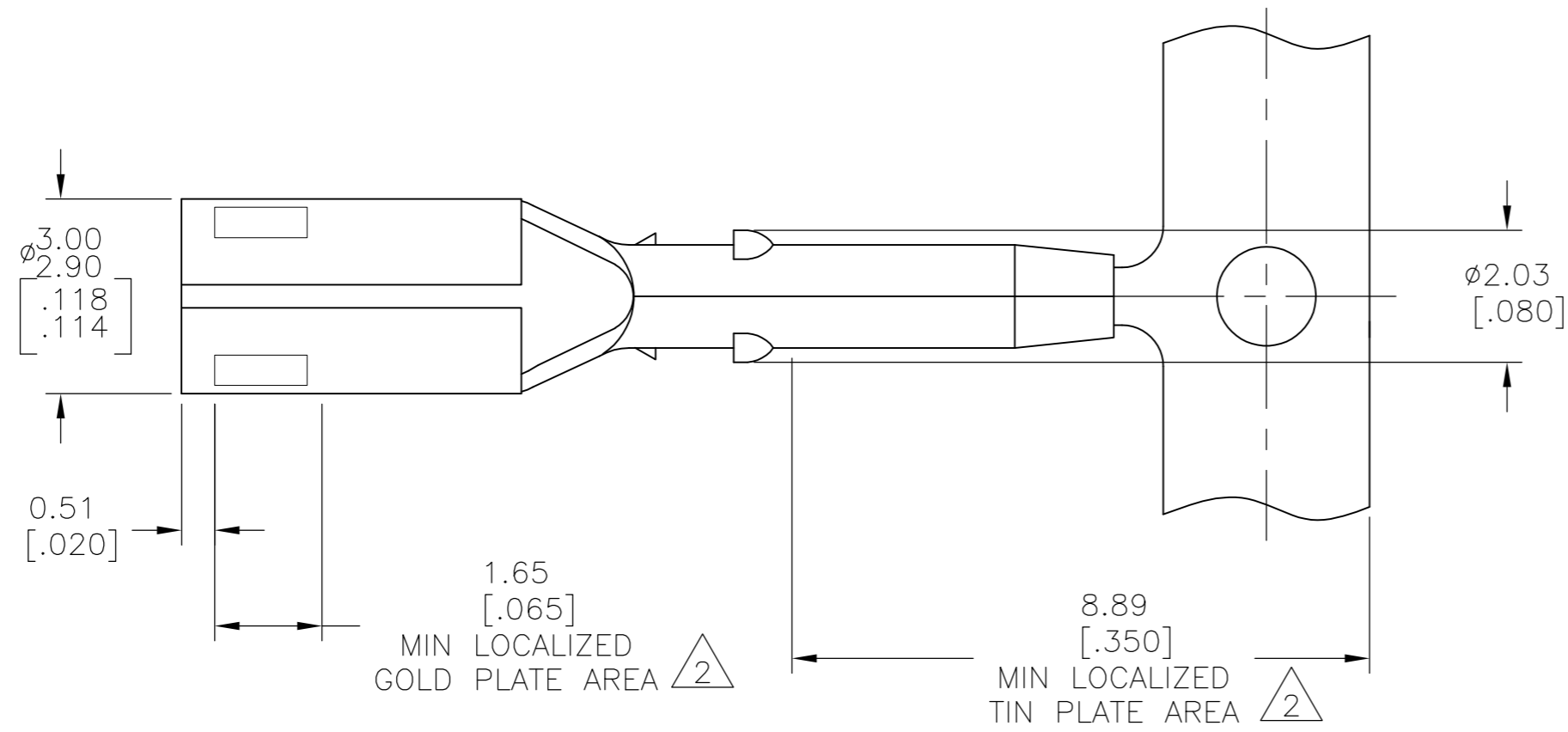


THIS DRAWING IS UNPUBLISHED. RELEASED FOR PUBLICATION  
 © COPYRIGHT BY TYCO ELECTRONICS CORPORATION. ALL INTERNATIONAL RIGHTS RESERVED.

| LOC |     | DIST                      |         | REVISIONS |      |  |  |
|-----|-----|---------------------------|---------|-----------|------|--|--|
| P   | LTR | DESCRIPTION               | DATE    | DWN       | APVD |  |  |
|     | D   | REVISED PER ECO-09-009144 | 16APR09 | HMR       | MS   |  |  |

- 1 DIMENSIONS IN BRACKETS ARE IN INCHES.
- 2 PLATE OVERALL WITH NICKEL, THEN PLATE WITH GOLD IN THE LOCALIZED GOLD PLATE AREA AND TIP PLATE WITH MATTE TIN-LEAD IN THE LOCALIZED TIN PLATE AREA.
- 3 PACKAGED ON 24 INCH CORRUGATED REEL.



| FINISH   | MATERIAL          | PART NUMBER |
|----------|-------------------|-------------|
| PRE-TIN  | 0.25[.010] PH BRZ | 3 794050-4  |
| OBSOLETE | 0.25[.010] PH BRZ | 2 794050-3  |

|  |  |                             |   |                 |
|--|--|-----------------------------|---|-----------------|
| THIS DRAWING IS A CONTROLLED DOCUMENT. |  | DWN RAGHAVENDRA 16APR09     | Tyco Electronics Corporation<br>Harrisburg, PA 17105-3608 |                 |
| DIMENSIONS: mm [INCHES]                |  | CHK SARVER MICHAEL 16APR09  | NAME SOCKET, PRINTED CIRCUIT HEADER, MATE-N-LOK™          |                 |
| TOLERANCES UNLESS OTHERWISE SPECIFIED: |  | APVD SARVER MICHAEL 16APR09 | SIZE A2   | CAGE CODE 00779 |
| 0 PLC ± -                              |  | PRODUCT SPEC                | DRAWING NO C=794050                                       | RESTRICTED TO - |
| 1 PLC ± -                              |  | APPLICATION SPEC            | SCALE 10:1  | SHEET 1 of 1    |
| 2 PLC ± 0.13[.005]                     |  | WEIGHT -                    | REV D   |                 |
| 3 PLC ± -                              |  | CUSTOMER DRAWING            |   |                 |
| 4 PLC ± -                              |  |                             |   |                 |
| ANGLES ± -                             |  |                             |   |                 |
| FINISH SEE TABLE                       |  |                             |   |                 |