

4

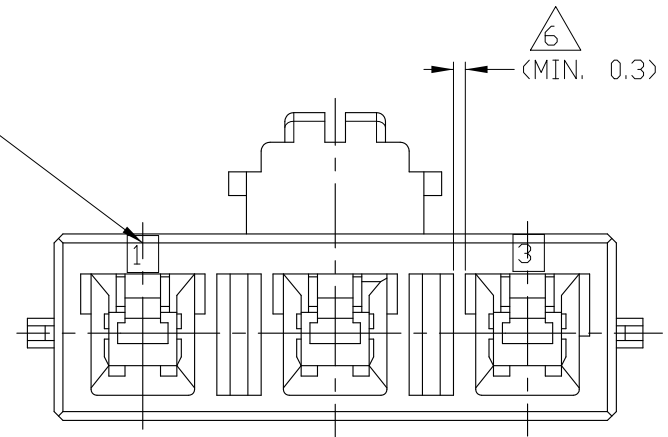
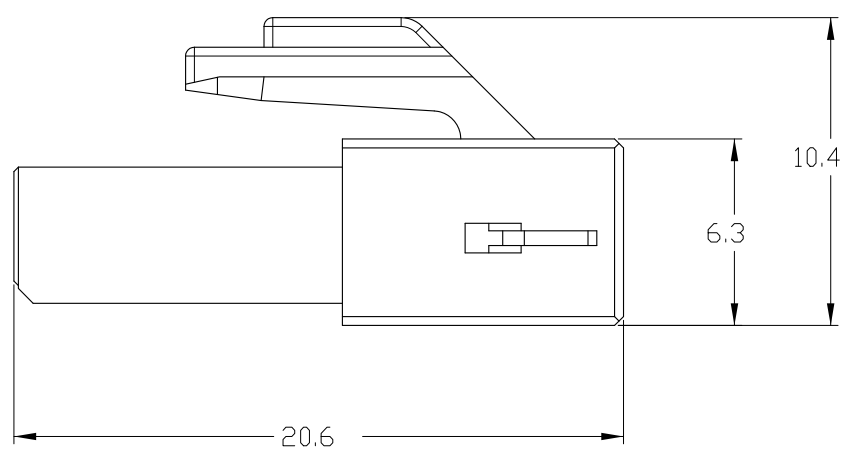
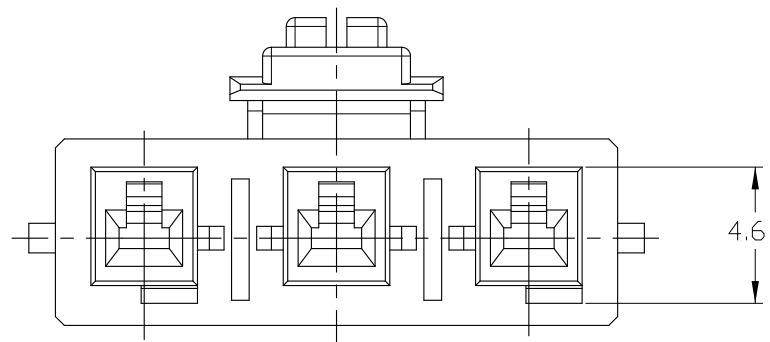
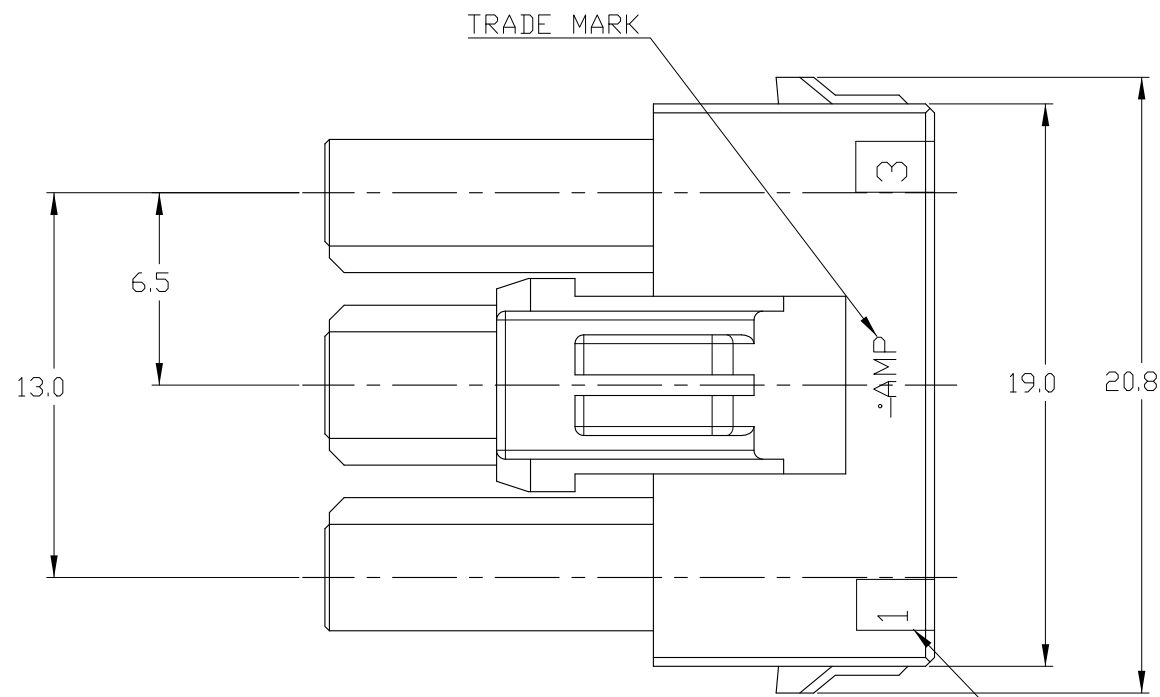
3

2

1

THIS DRAWING IS UNPUBLISHED. RELEASED FOR PUBLICATION 20  
© COPYRIGHT 20 BY TYCO ELECTRONICS CORPORATION. ALL RIGHTS RESERVED.

LOC	DIST	REVISIONS			
P	LTR	DESCRIPTION	DATE	DWN	APVD
DS	-				
	A	RELEASED	14.MAR'07	SC	JK
	B	REVISED (ECR-09-011788)	25.MAY'09	SC	JK



ⓑ	368570-9	BLACK
ⓑ	368570-6	BLUE
ⓑ	368570-4	YELLOW
ⓑ	368570-2	RED
ⓑ	368570-1	NATURAL
	P/N	COLOR

NOTE;  
 1.APPLICABLE CONTACT P/N  
 -REC CONTACT:177915- □(AWG#16-#20)  
 :177914- □(AWG#22-#26)  
 2.MATING CONN.P/N  
 -PC BOARD MOUNT(ASS'Y):179846- □  
 3.APPLICABLE DOUBLE LOCK PLATE:316062-1  
 \*IT SHOULD BE USED CERTAINLY WHEN CABLE ASS'Y  
 4.GENERAL TOLERANCES:±0.3  
 5.ACCORDING TO IEC 60335-1 4.2 EDITION  
 -PART MEETS GWT 750°C,850°C.  
 -MATERIAL MEETS BALL PRESSURE TESTING AT 125°C.  
 -MATERIAL HAS CTI VALUE OF 250V.  
 △6.MIN.THICKNESS OF INSULATING WALL

DIMENSIONS:		TOLERANCES UNLESS OTHERWISE SPECIFIED:		DWN		NAME		
mm		0 PLC	±-	SC KIM	AMP KOREA			
		1 PLC	±0.5	CHK	Kyungsan, Korea			
		2 PLC	±0.13	BW KANG	Tyco Electronics			
		3 PLC	±0.013	APVD	PDL 3P PLUG HSG 6.5mm (GWT)			
		4 PLC	±0.0001	JK SONG	SIZE CAGE CODE DRAWING NO RESTRICTED TO			
		ANGLES	±-	PRODUCT SPEC	A3	00779	368570	-
MATERIAL	ⓑ	FINISH	-	APPLICATION SPEC	SCALE 4:1 SHEET 1 OF 1 REV B			
PA66(UL94V-0)				WEIGHT	CUSTOMER DRAWING			