

SCNRF - 6AAP - SAFFS

SUNTSU

CONNECTOR

RF

MAXIMUM FREQUENCY
6 GHz

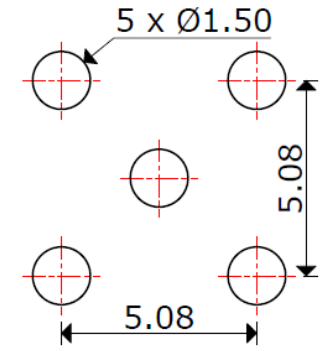
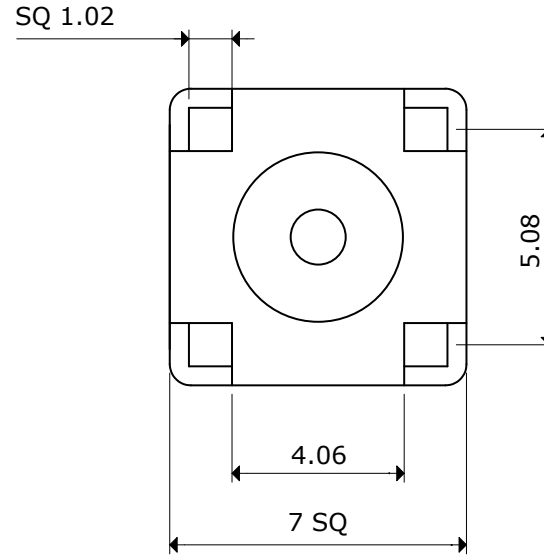
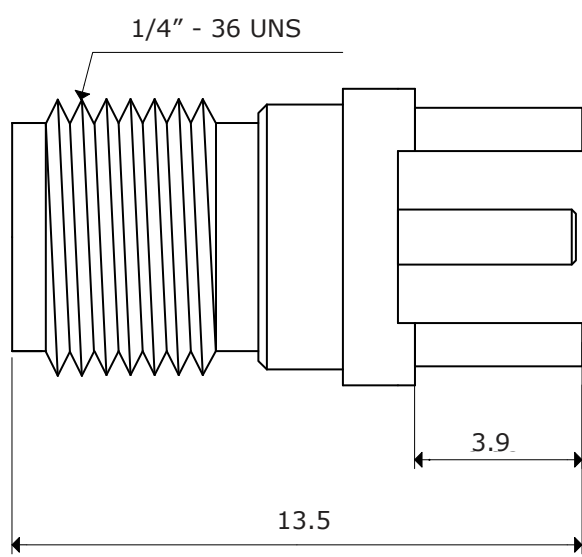
IMPEDANCE
50Ω

MOUNT TYPE
PCB
Through Hole

CONNECTOR TYPE
SMA

GENDER
Female

ORIENTATION
Straight



**Recommended
Mounting
Layout**

Impedance: 50Ω
 Frequency Range: 0GHz - 6GHz
 Voltage Standing Wave Ratio (VSWR): 1.5 MAX
 Working Voltage: 170 Vrms MAX
 Dielectric Withstanding Voltage: 500 Vrms MAX
 Operating Temperature: -55°C to 85°C
 Storage Temperature: -60°C to 165°C
 Center Contact Resistance: 3 mΩ MAX
 Outer Contact Resistance: 2 mΩ MAX
 Insulation Resistance: 2000 mΩ MIN



**SMA PCB MOUNT
FEMALE STRAIGHT CONNECTOR**

Document History				Part No.	REV.	Drawn		Page
Edits Made	Date	Edited By	Approved By					
Initial Release	02/02/2021	B. Gibbons	KH Mun	SCNRF-6AAP-SAFS	A	B. Gibbons	02/02/2021	1 / 1
					Drawing No.	Checked		
				Tolerance	None	KH Mun	02/02/2021	
					UNIT	Approved	KH Mun 02/02/2021	