

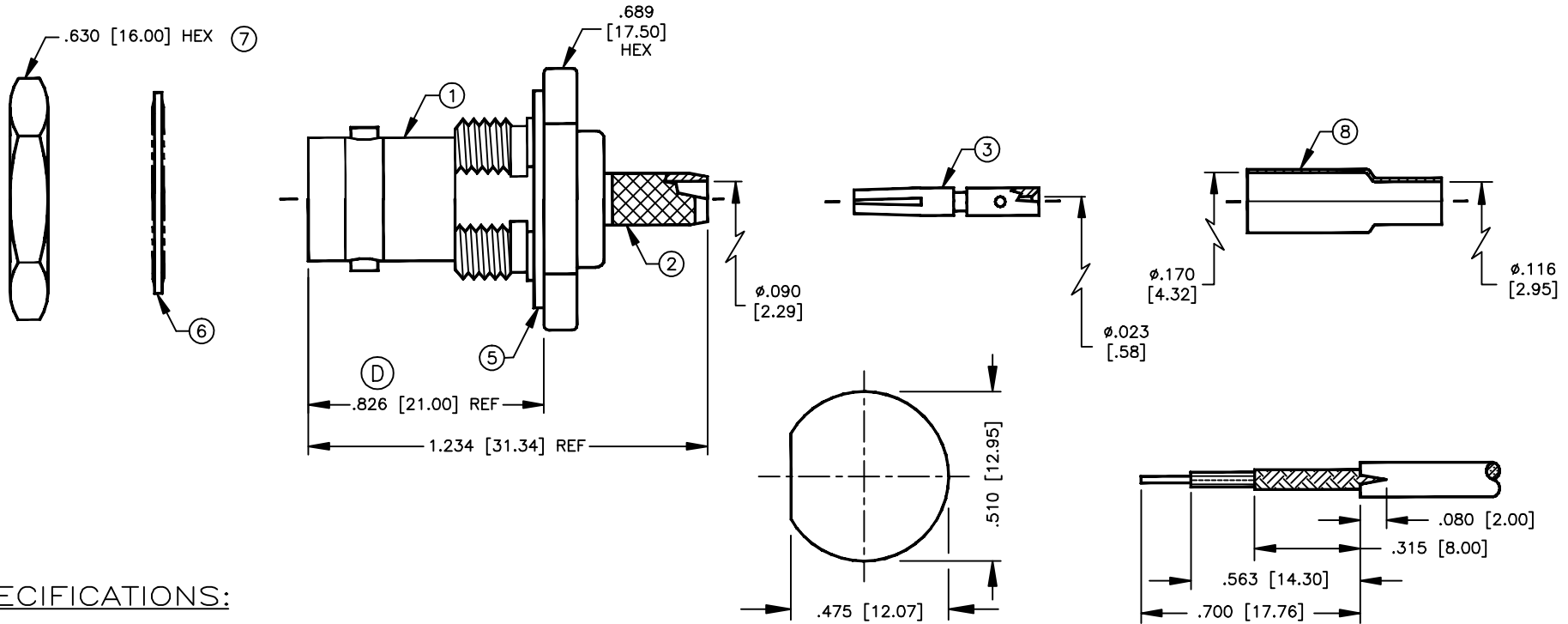
# SPECIFICATION CONTROL DRAWING

REV	DESCRIPTION	DWN	DATE	APPROVED
B	CONNECTOR NOW WILL ACCEPT MAX PANEL THICKNESS OF .200	CZS	9/3/98	R. RICE
C	REMOVED 83284 FROM APPROVED CABLE LIST	JDMc	2/1/06	R. RICE
C1	OMITTED CRIMP ON SMALLER FERRULE DIAMETER	JDMc	5/16/13	R. RICE
D	.762" DIM CHANGED TO .826" / CHANGED CBL STRIP DIM. SEE REV C	JDMc	5/17/13	JDM

THIS DRAWING CONTAINS INFORMATION PROPRIETARY TO RF INDUSTRIES, LTD. ANY UNAUTHORIZED USE OF THIS DRAWING IS EXPRESSLY PROHIBITED. ANY VIOLATION IS PUNISHABLE UNDER U.S. COPYRIGHT LAWS.

ALL DIMENSIONS ARE REFERENCE ONLY

000360



## SPECIFICATIONS:

IMPEDANCE: 50 Ohms  
 WORKING VOLTAGE: 500 VRMS @ SEA LEVEL  
 FREQUENCY RANGE: 0-4 GHz  
 INSERTION LOSS:  $\leq -2$  dB @ 3 GHz  
 VSWR MAX: 1.4:1 @ 3 GHz  
 FOR RG-174, 188, 188A, 316/U, ALPHA 9174, 9316,  
 BELDEN 8216, 83269, 84316 & TIMES LMR-100 CABLE  
 INTERFACE PER MIL-STD-348A, SECTION 301.2

PANEL MOUNTING CONFIG  
 MAXIMUM PANEL THICKNESS: .200 [5.08]

SUGGESTED STRIPPING INSTRUCTIONS  
 SUGGESTED CRIMP DIE: .068, .178

DIMENSIONS ARE IN INCHES  
 AND [MILLIMETERS]

UNLESS OTHERWISE NOTED  
 TOLERANCES ARE:  
 DECIMALS DIAMETER  
 .XXX±.003 [.08] .XXX±.001 [.03]  
 .XX±.005 [.13] .XX±.003 [.08]  
 ANGLES: ±1°

DRAWN JDM	5/17/13
CHECKED	
ORJ DRAWN C. ZUNIGA	8/4/98
APPROVALS	DATE

RFconnectors

DIVISION OF RF INDUSTRIES, LTD.

7610 MIRAMAR RD  
 SAN DIEGO, CA 92126  
 (619)549-6340  
 (619)549-6345 FAX

## RFB-1117-BT

BNC FEMALE CRIMP BULKHEAD, REAR MOUNT

ITEM	DESCRIPTION	QTY	MATERIAL	FINISH
8	FERRULE	1	BRASS	NICKEL
7	HEX NUT	1	BRASS	NICKEL
6	LOCK WASHER	1	BRASS	NICKEL
5	GASKET	1	S.I. RUBBER	RED
4	DIELECTRIC	1	PTFE	NONE
3	CONTACT	1	BRASS	GOLD
2	PRESS-FIT FER STUD	1	BRASS	NICKEL
1	BODY	1	BRASS	NICKEL

SIZE A	CABLE GROUP B	DWG NO. RFB-1117-BT	REV D
SCALE: 2:1		CAD FILE 13ARC B	SHEET 1 OF 1