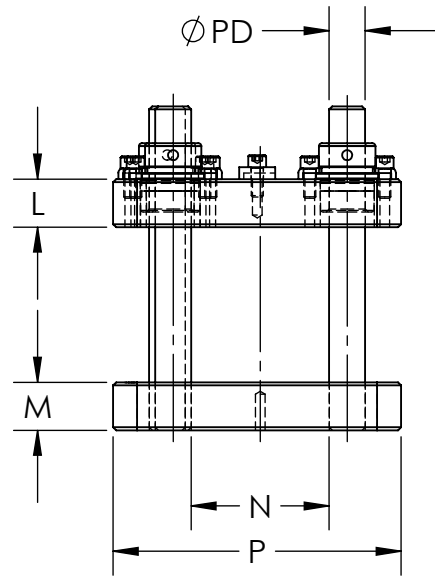
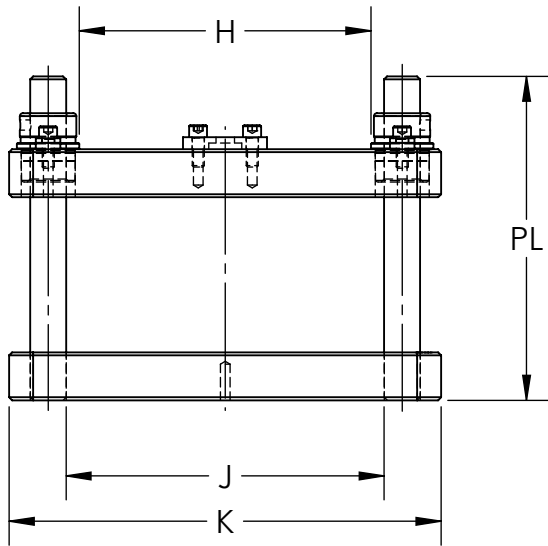
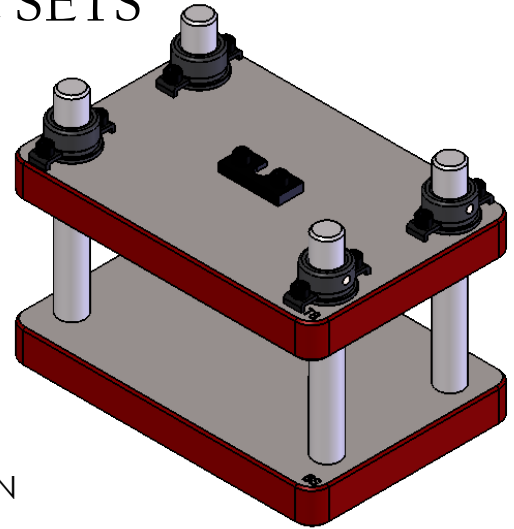
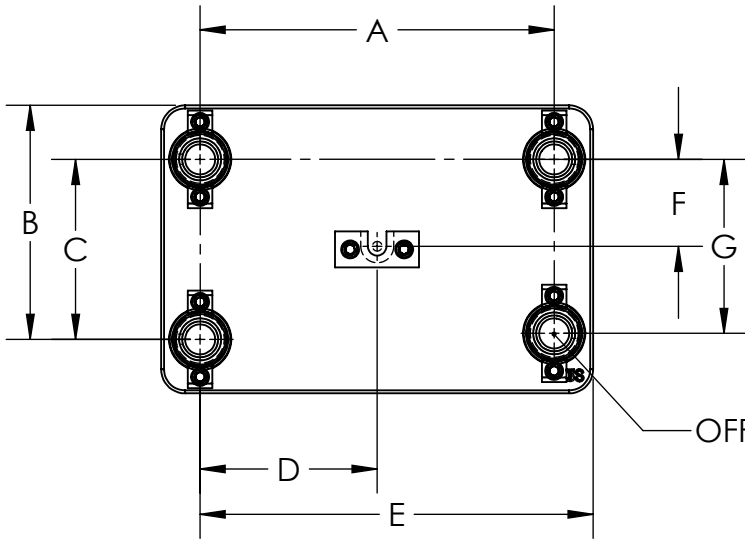


JANESVILLE TOOL & MANUFACTURING INC.

STOCK 4 POST DIE SETS



A

A

NOTES:

1. 4P6X6-A MODEL SHOWN.
2. ALL TAPPED HOLES 1/4-20.

STOCK 4 POST DIE SETS

GENERAL DIMENSIONS

PART NUMBER	A	B	C	D	E	F	G	H	J	K	L	M	N	P	PD	PL
4P6X6	7.3750	4.88	3.7500	-	8.19	-	3.6250	6.08	6.63	9.00	1.00	1.00	2.88	6.00	.7500	6.75
4P6X6-A	7.3750	4.88	3.7500	3.688	8.19	1.813	3.6250	6.08	6.63	9.00	1.00	1.00	2.88	6.00	.7500	6.75
4P6X6-PL	7.3750	4.88	3.7500	-	8.19	-	3.6250	6.08	6.63	9.00	1.00	1.00	2.88	6.00	.7500	-
4P6X6-A-PL	7.3750	4.88	3.7500	3.688	8.19	1.813	3.6250	6.08	6.63	9.00	1.00	1.00	2.88	6.00	.7500	-
4P8X8	9.3750	6.88	5.7500	-	10.19	-	5.6250	8.08	8.63	11.00	1.00	1.00	4.88	8.00	.7500	6.75
4P8X8-A	9.3750	6.88	5.7500	4.688	10.19	2.813	5.6250	8.08	8.63	11.00	1.00	1.00	4.88	8.00	.7500	6.75
4P8X8-PL	9.3750	6.88	5.7500	-	10.19	-	5.6250	8.08	8.63	11.00	1.00	1.00	4.88	8.00	.7500	-
4P8X8-A-PL	9.3750	6.88	5.7500	4.688	10.19	2.813	5.6250	8.08	8.63	11.00	1.00	1.00	4.88	8.00	.7500	-