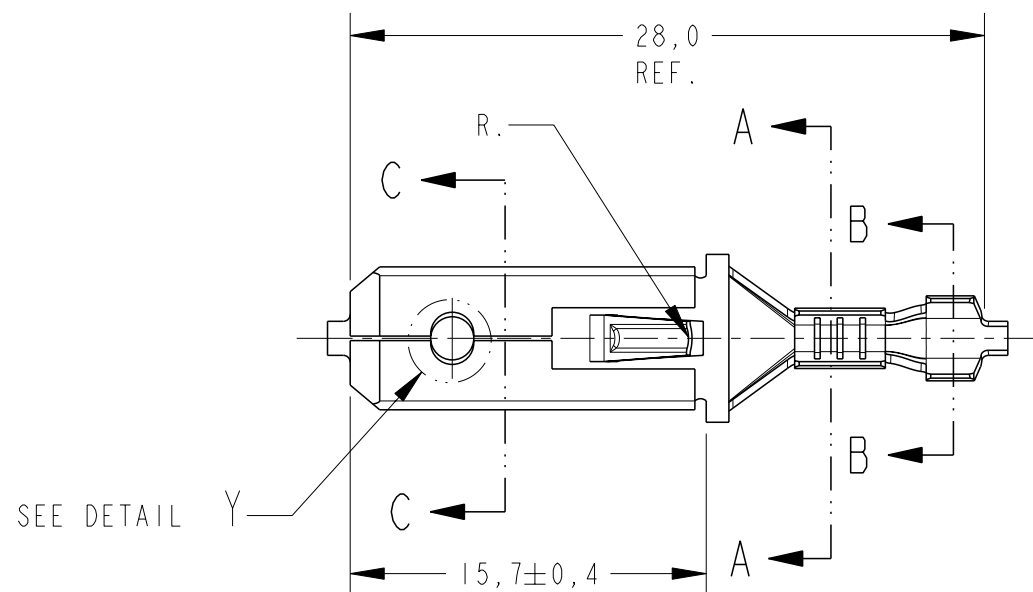


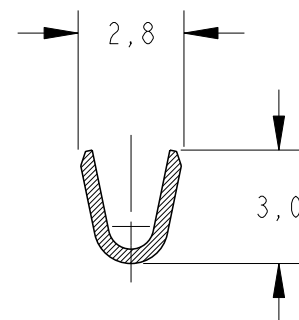
LOC AP DIST -

REVISIONS

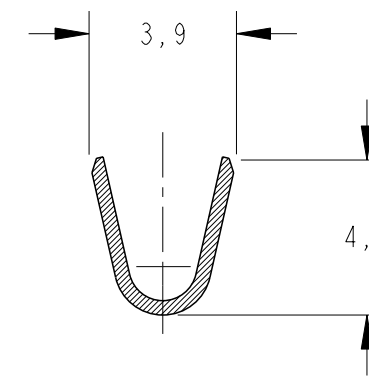
P	LTR	DESCRIPTION	DATE	DWN	APVD
	D4	REDRAW BY CAD	ECO-12-014149	20AUG2012	NCL DAO



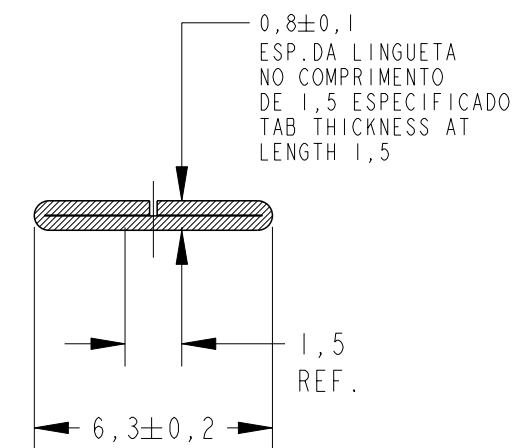
SEE DETAIL Y



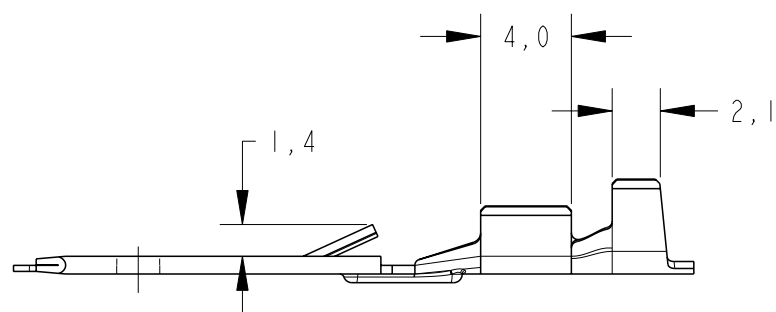
SECTION A-A SCALE 5:1



SECTION B-B SCALE 5:1



SECTION C-C SCALE 5:1



OBSOLETE	PRATEADO/SILVER PLATED	LATÃO / BRASS	880688 -7
OBSOLETE	PRÉ ESTANHADO/PRE-TINNED	BRONZE FOSF./PHOSP BRONZE	880688 -6
OBSOLETE	PRÉ ESTANHADO/PRE-TINNED	LATÃO / BRASS	880688 -5
OBSOLETE	ESTANHADO/TIN PLATED	BRONZE FOSF./PHOSP BRONZE	880688 -4
OBSOLETE	ESTANHADO/TIN PLATED	BRONZE FOSF./PHOSP BRONZE	880688 -3
	ESTANHADO/TIN PLATED	LATÃO / BRASS	880688 -2
		LATÃO / BRASS	880688 -1
	FINISH	MATERIAL	PART NUMBER

INS. RANGE	WIRE RANGE
∅ 2,0-3,3mm	0,5-1,0mm ²

THIS DRAWING IS A CONTROLLED DOCUMENT.

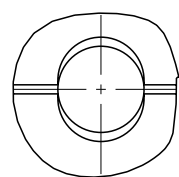
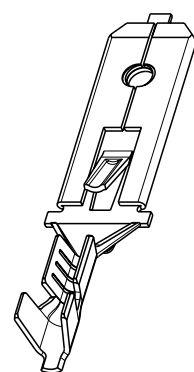
DWN NCLAPRESA 17JUL2012
 CHK JRGOLDSCHMIDT 17JUL2012
 APVD DAOLIVEIRA 17JUL2012



NAME -
TERMINAL FASTIN-FASTON .250 TAB

DIMENSIONS:	TOLERANCES UNLESS OTHERWISE SPECIFIED:
mm	
	0 PLC ±0,3
	1 PLC ±
	2 PLC ±
	3 PLC ±
	4 PLC ±
	ANGLES ±1°
MATERIAL SEE TABLE	FINISH SEE TABLE

PRODUCT SPEC	APPLICATION SPEC	WEIGHT	SIZE	CAGE CODE	DRAWING NO	RESTRICTED TO
-	-	-	A3	00779	C-880688	-
CUSTOMER DRAWING			SCALE 3:1	SHEET 1 OF 1	REV D4	



DETAIL Y SCALE 6:1
CONSTRUÇÃO OPCIONAL
OPTIONAL CONSTRUCTION



PERSPECTIVE VIEW SCALE 2:1