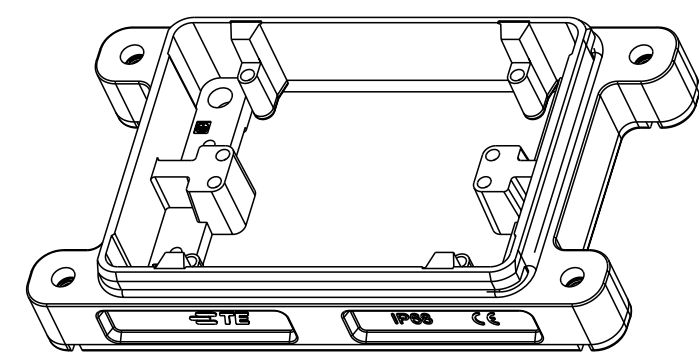
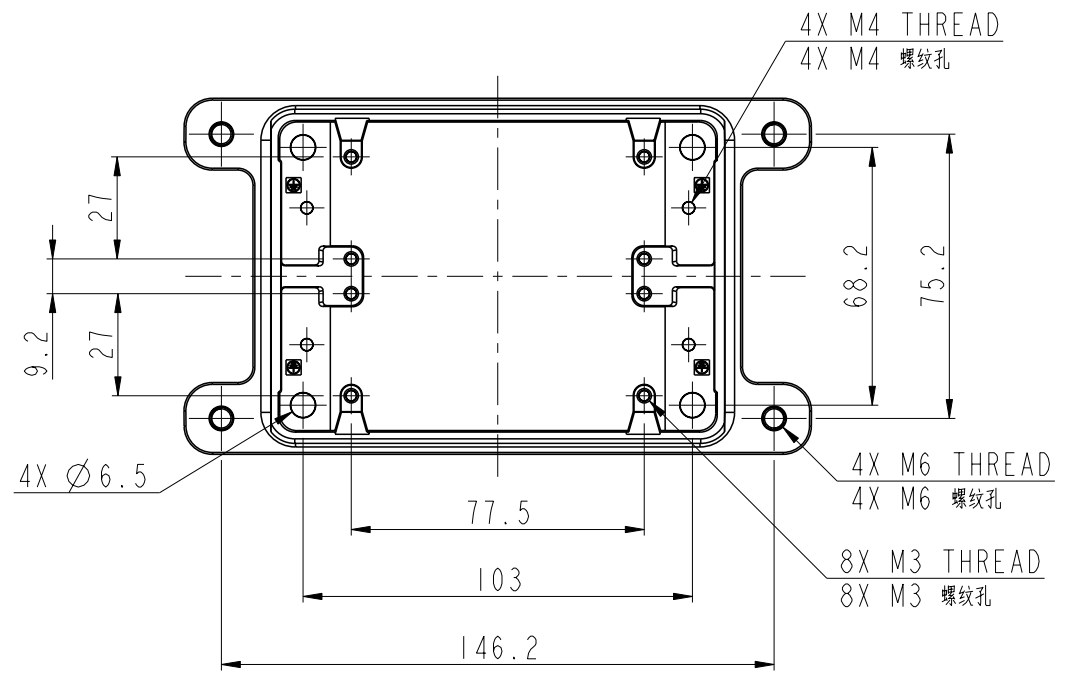


THIS DRAWING IS UNPUBLISHED. RELEASED FOR PUBLICATION 20
 © COPYRIGHT 20 BY - ALL RIGHTS RESERVED.

| REVISIONS | | | | | |
|-----------|-----|---------------|-----------|-----|------|
| P | LTR | DESCRIPTION | DATE | DWN | APVD |
| | A | INITIAL | 23AUG2016 | QY | CW |
| | A1 | ECR-16-014639 | 15OCT2016 | QY | CW |
| | B | ECR-20-015187 | 26MAY2021 | BS | CW |

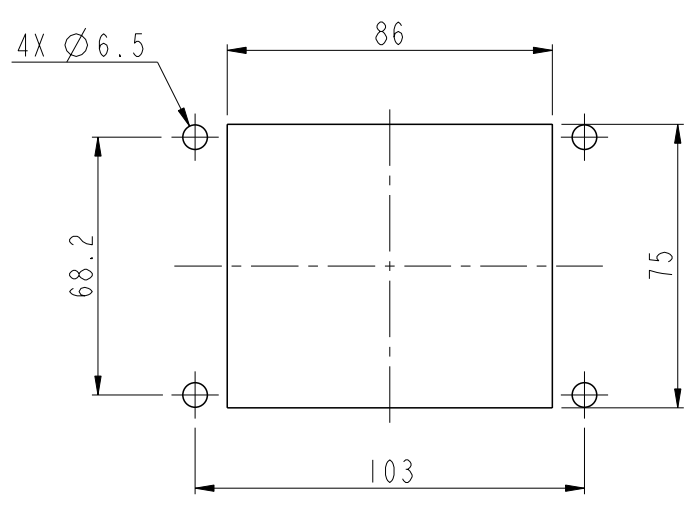
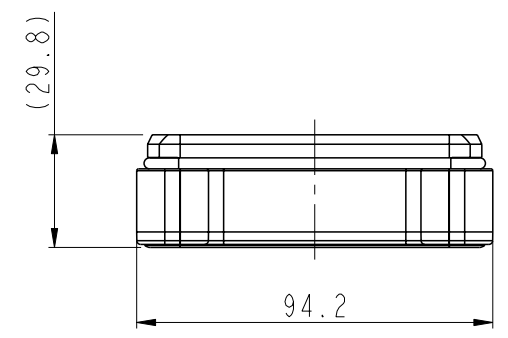
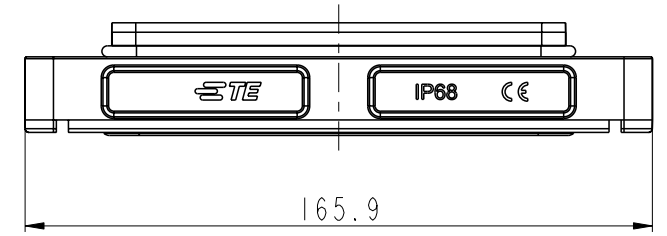


NOTES:

- 1. TECHNICAL CHARACTERISTICS:
 HOOD MATERIAL: DIE CAST ALUMINIUM ALLOY
 SURFACE: POWDER COATED
 DEGREE OF PROTECTION: IP68 (MATED)

注释:

- 1. 技术参数:
 上壳材料: 铝合金
 表面处理: 粉末喷涂
 防护等级: IP68(配合)



PANEL CUT OUT DIMENSION, ONLY FOR REFERENCE
 板面开口尺寸, 仅供参考

| | | |
|-------------------|------------------------|---|
| T1936322000-000 | H32BPR-AG-4S | H32BPR HOUSING, QUADRANGLED SCREW LOCKING, BULKHEAD MOUNTED, POWDER COATED, GREY H32BPR下壳, 四角锁定, 开孔安装, 灰色粉末喷涂 |
| T1936320000-000 | H32BPR-AG-4S | H32BPR HOUSING, QUADRANGLED SCREW LOCKING, BULKHEAD MOUNTED, POWDER COATED, BLACK H32BPR下壳, 四角锁定, 开孔安装, 黑色粉末喷涂 |
| PART NUMBER 料号 | PART DESCRIPTION 描述 | |

THIS DRAWING IS A CONTROLLED DOCUMENT.

| DIMENSIONS: | TOLERANCES UNLESS OTHERWISE SPECIFIED: |
|-------------|--|
| mm | 0 PLC ±- |
| | 1 PLC ±-. |
| | 2 PLC ±- |
| | 3 PLC ±- |
| | 4 PLC ±- |
| | ANGLES ± |
| MATERIAL | FINISH |
| - | - |
| - | - |

| | |
|------------------|------------|
| DWN | 23AUG2016 |
| QIANG YUAN | |
| CHK | 23AUG2016 |
| KYLE ZENG | |
| APVD | 23AUG2016 |
| CHRIS WANG | |
| PRODUCT SPEC | 108-137014 |
| APPLICATION SPEC | 114-137014 |
| WEIGHT | - |
| CUSTOMER DRAWING | |

STE TE Connectivity

NAME: H32BPR-AG-4S

| SIZE | CAGE CODE | DRAWING NO | RESTRICTED TO |
|------|-----------|------------------|---------------|
| A3 | - | ©-T1936320000000 | - |

SCALE: 1:2 SHEET 1 OF 1 REV B

Printed on 26 May 2021 15:24 (China Standard Time) from TE236667