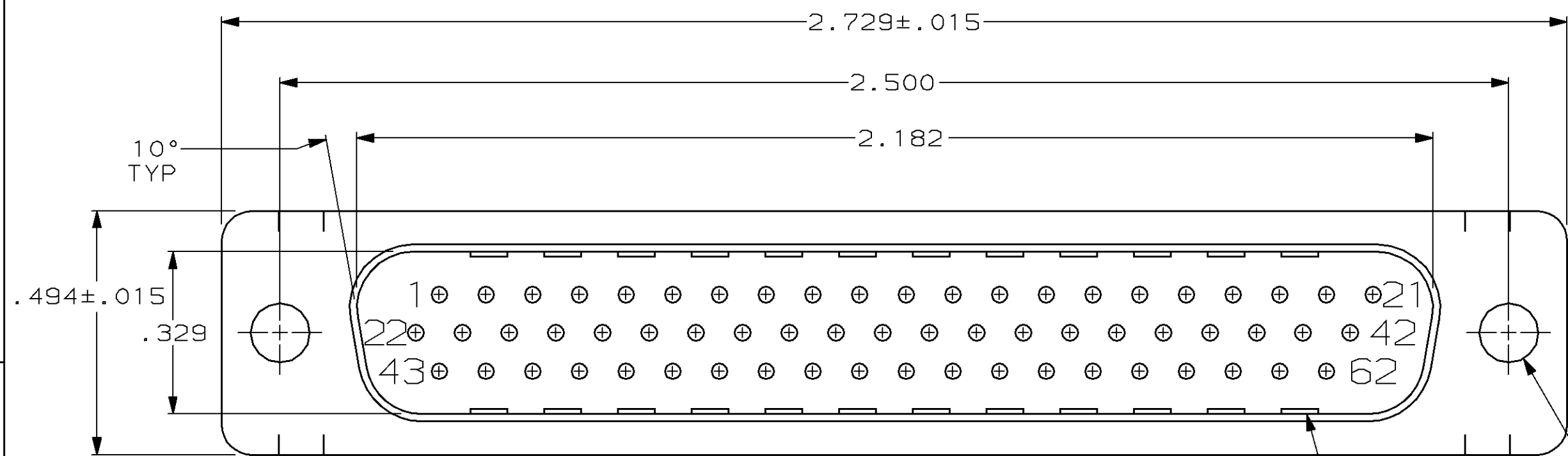


THIS DRAWING IS UNPUBLISHED. RELEASED FOR PUBLICATION, 19
 © COPYRIGHT 19 BY AMP INCORPORATED, HARRISBURG, PA. ALL INTERNATIONAL RIGHTS RESERVED. AMP PRODUCTS MAY BE COVERED BY U.S. AND FOREIGN PATENTS AND/OR PATENTS PENDING.

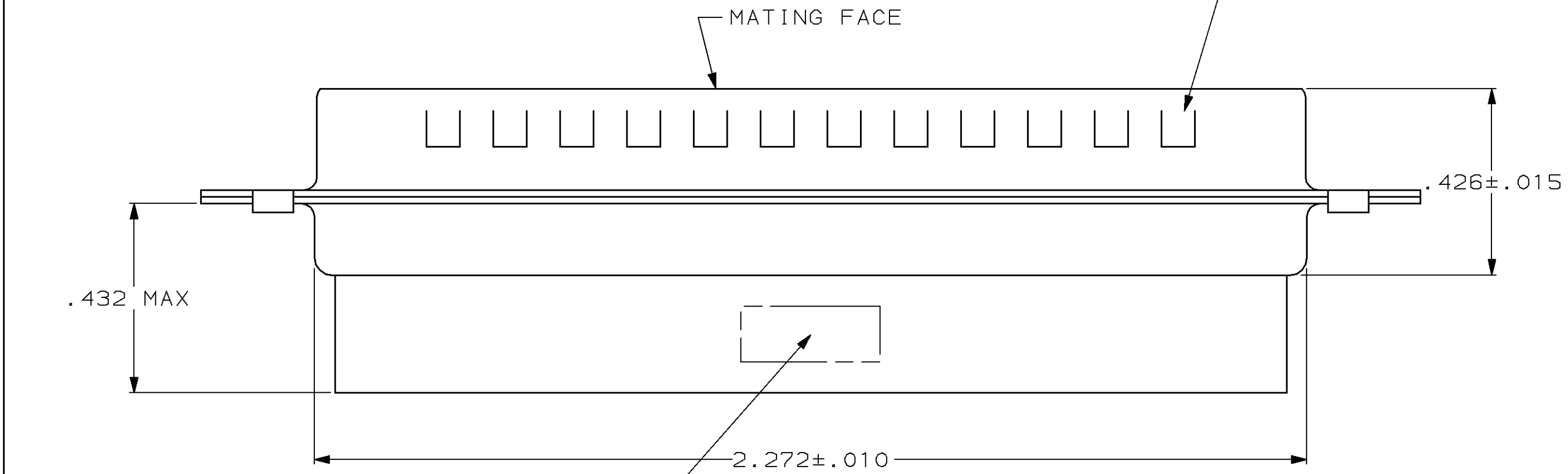
LOC		DIST		P		F		REVISIONS		
BD	48			ZONE	LTR	DESCRIPTION	DATE	APPROVED		
					O	REL WAS 86-5528-3	-	-		
					A	ADDED -2 PER NPR 2395	05/08/88	LB		
					B	OBS -2 PER EC 0020-734-95	31 JAN 96	CS		



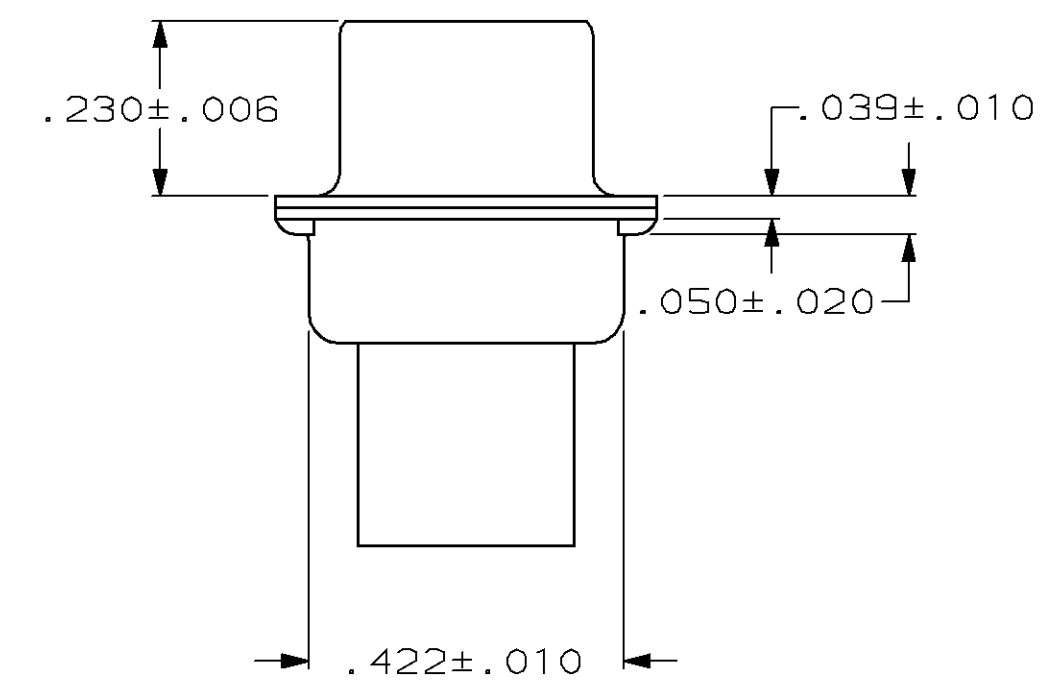
1. CONNECTOR ACCEPTS SIZE 22 DF PIN CONTACTS, RETENTION TINES ARE AN INTEGRAL PART OF INSERT.
2. FLAME RETARDANT 94V-0 RATED GLASS FILLED NYLON, COLOR: BLACK.
3. STEEL PER ASTM A109.
4. TIN PLATED PER MIL-T-10727.

.120 DIA
2 HOLES

GROUNDING INDENTS (SEE TABLE)



AMP, PART NO. & DATE CODE, MARKED IN AREA INDICATED, ON FAR SIDE



OBSOLETE	NO	748367-2
	YES	748367-1
	GROUNDING INDENTS	PART NUMBER

UNLESS OTHERWISE SPECIFIED DIMENSIONS ARE IN INCHES TOLERANCES ON : 2 PL DEC ± - 3 PL DEC ± .005 ANGLES ± 2°	DR 12-3-86 C.RICHARD	AMP INCORPORATED Harrisburg, Pa. 17105		
	CHK 12-4-86 S.WELDON			
	MATERIAL MOLDED PARTS: 2 SHELLS: 3	APPD 12-4-86 L.BREKOSKY	NAME PLUG CONNECTOR, SIZE 4, 62 POSN, AMPLIMITE® HDP-22	
	FINISH SHELLS: 4	APPD 12-5-86 V.KUMAR		
	PRODUCT SPEC -	SIZE	FSCM NO	DRAWING NO
	APPLICATION SPEC -	C	00779	748367
	WEIGHT -	SCALE	4:1	SHEET 1 OF 1