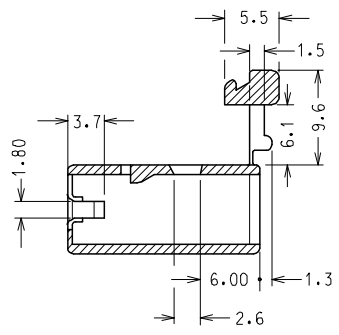
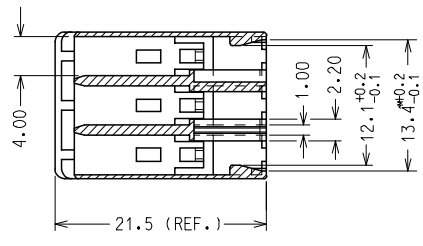
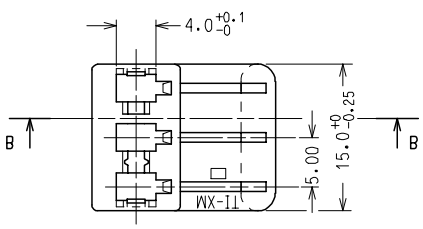
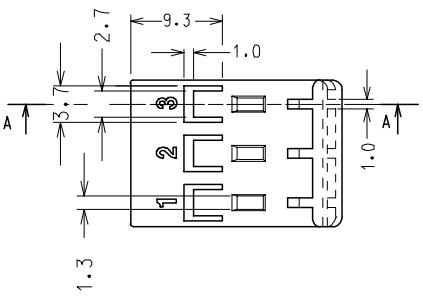
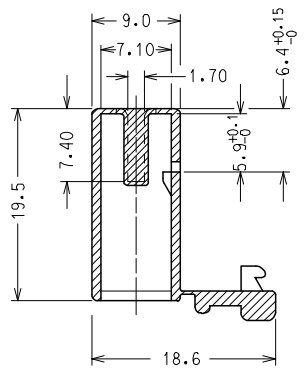


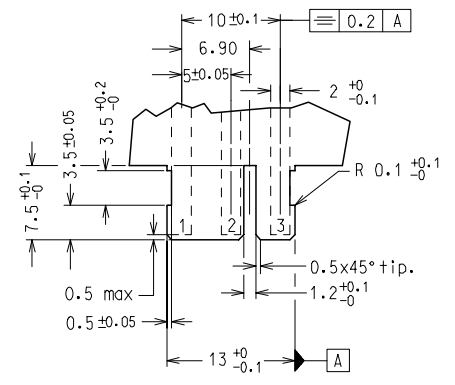
SECTION A-A



SECTION B-B



DIMA 3 VIE PER C.S. spess. 1.5 ± 0.1
 VISTA LATO COMPONENTI
 RECOMMENDED PCB LAYOUT, PCB THICK.: 1.5 ± 0.1
 VIEW FROM COMPONENT SIDE



NOTA: LE DIMENSIONI VANNO MISURATE CON CORPI STABILIZZATI SECONDO NG 2301. (AUMENTO IN PESO DEL 2.7 %)

NOTE: PARTS SHALL BE DIMENSIONALLY CHECKED AFTER ATTAINING EQUILIBRIUM CONDITIONS E.G. 27 % INCREASE IN WEIGHT FOR HUMIDITY ABSORPTION FROM DRY STATUS.

CARATTERISTICHE PRODOTTO SECONDO PS-94529
 PRODUCT CHARACTERISTICS ACCORDING TO PS-94529 E

CONFEZIONE: 4000 pz. in scatola
 PACKAGING: 4000 pcs. in carton box

CODICE	P/N	MATERIAL
94529-9103		PA 66 NAT. UL94 V2 GWT 850 °C
94529-4103		NYLON 6.6 GWT 750 °C sec. IEC 60335-1 TEST METHOD IEC 60695-2-11 NATURAL

SPQ: 4000 pz.

Descr. Std: HSG FOR FORK TERMINAL 3 CKT

ENTER DESCRIPTION EC NO: Z2006-0051 DRWN:FGOTTARDO 2005/10/12 CHKD:RSANDANO 2005/10/12 APPR:GZUIN 2005/10/14	QUALITY SYMBOLS ▽=0 ▽C=0	GENERAL TOLERANCES (UNLESS SPECIFIED) mm INCH	DIMENSION STYLE MM ONLY	SCALE 2:1	DESIGN UNITS METRIC	FIRST ANGLE PROJECTION	
	4 PLACES ± --- ± --- 3 PLACES ± --- ± --- 2 PLACES ± 0.10 ± --- 1 PLACE ± 0.2 ± --- ANGULAR ± 2 °	DRAWN BY DATE FGOTTARDO 2002/01/10 CHECKED BY DATE MTESTAGUZZA 2002/01/10 APPROVED BY DATE GZUIN 2002/01/10	TITLE 3 CKT HOUSING FOR STRAIGHT FORK TERMINAL		MOLEX MOLEX INCORPORATED		SHEET NO. 1 OF 1
	DRAFT WHERE APPLICABLE MUST REMAIN WITHIN DIMENSIONS	MATERIAL NO. SEE TABLE	DOCUMENT NO. SD-94529-026				
	THIS DRAWING CONTAINS INFORMATION THAT IS PROPRIETARY TO MOLEX INCORPORATED AND SHOULD NOT BE USED WITHOUT WRITTEN PERMISSION						