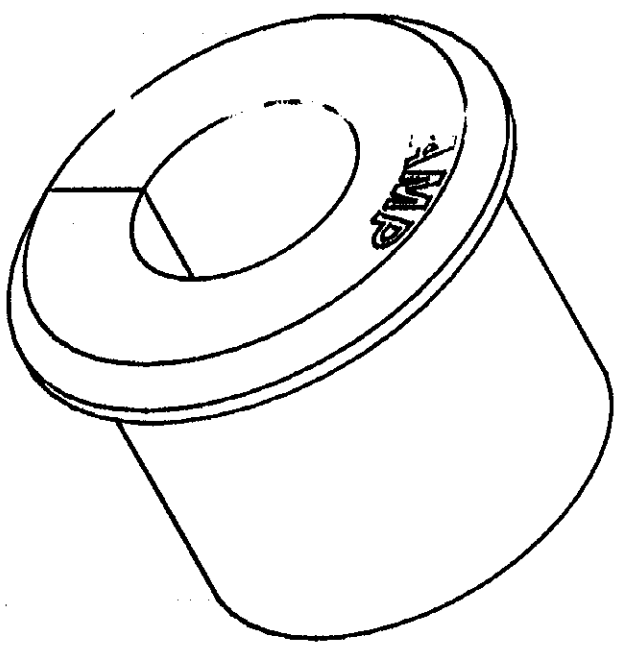
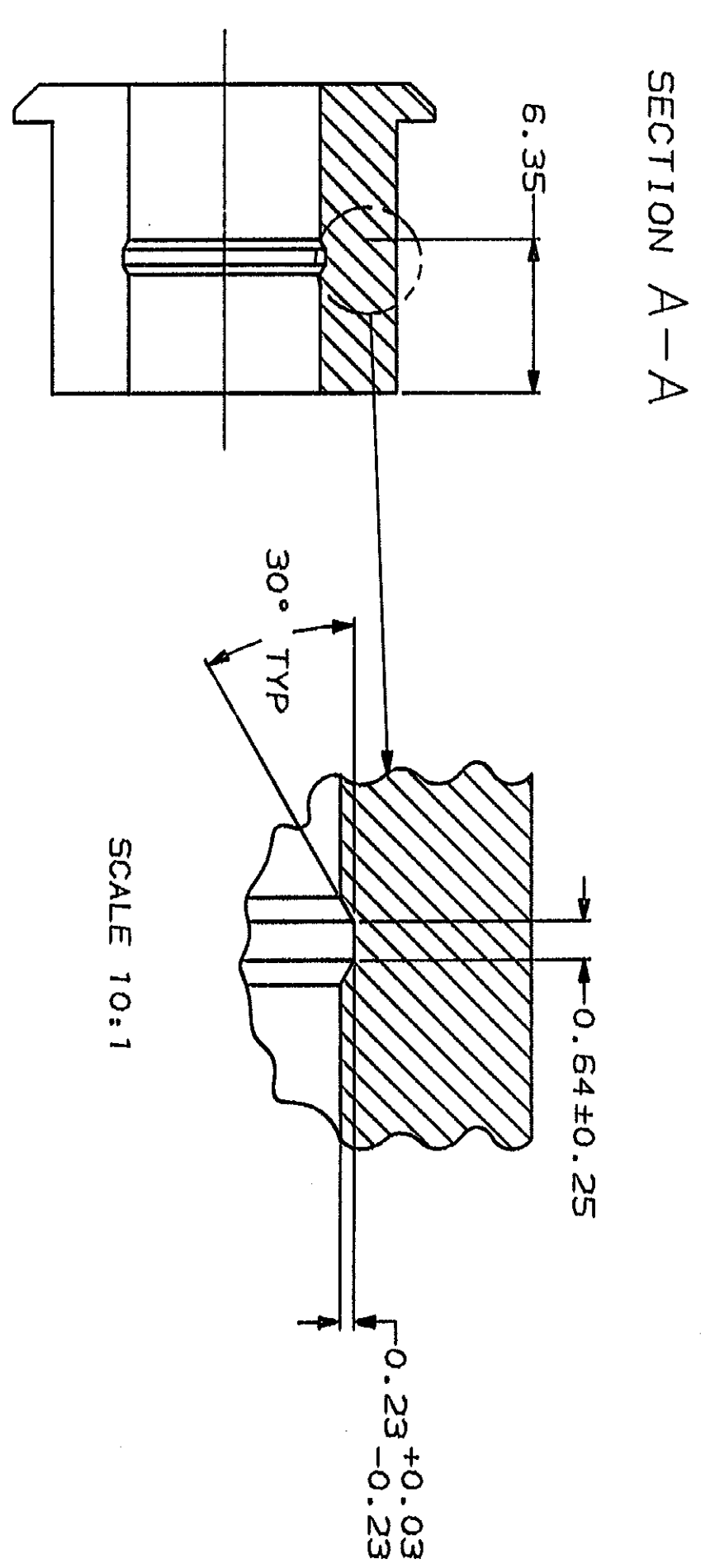
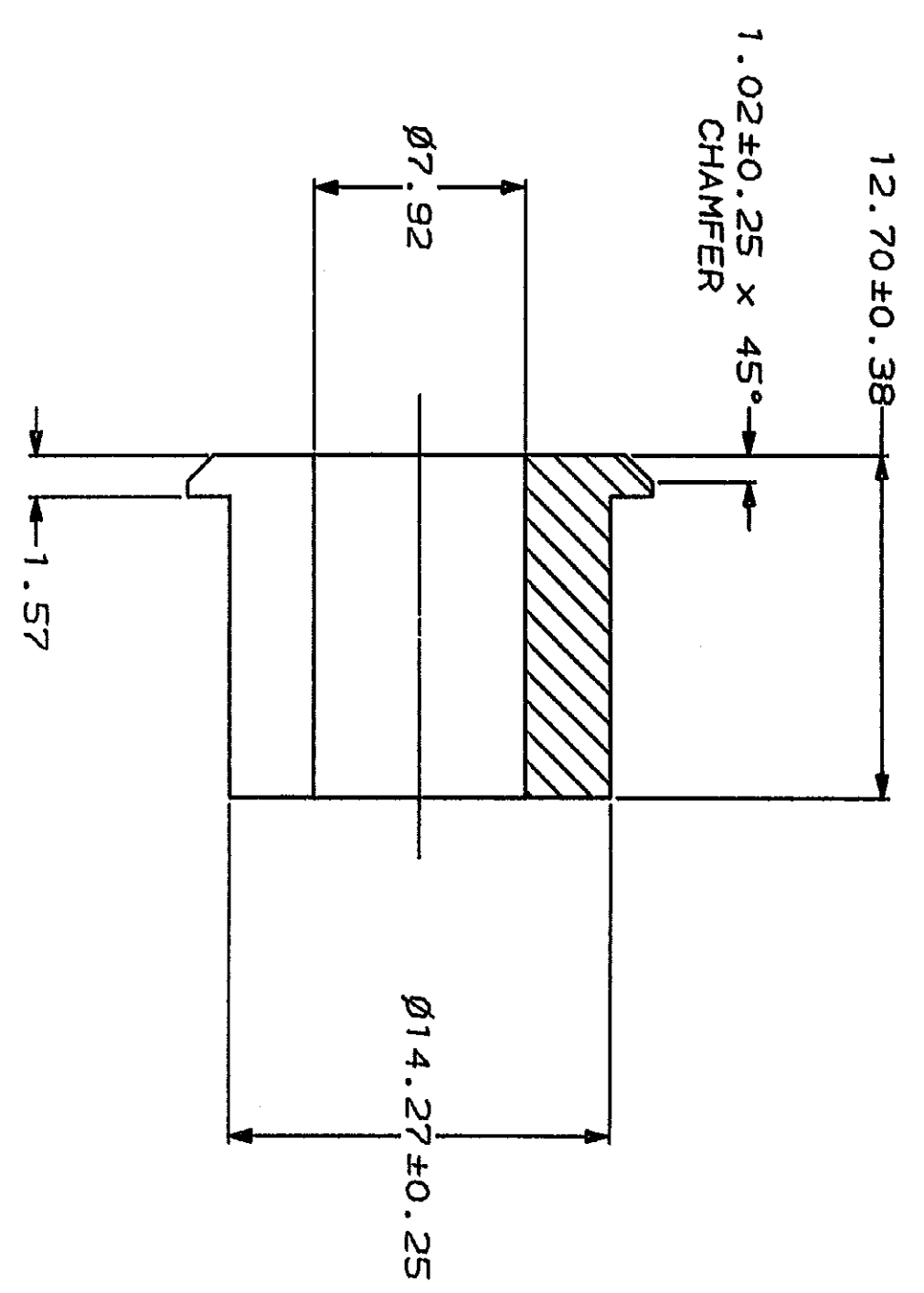
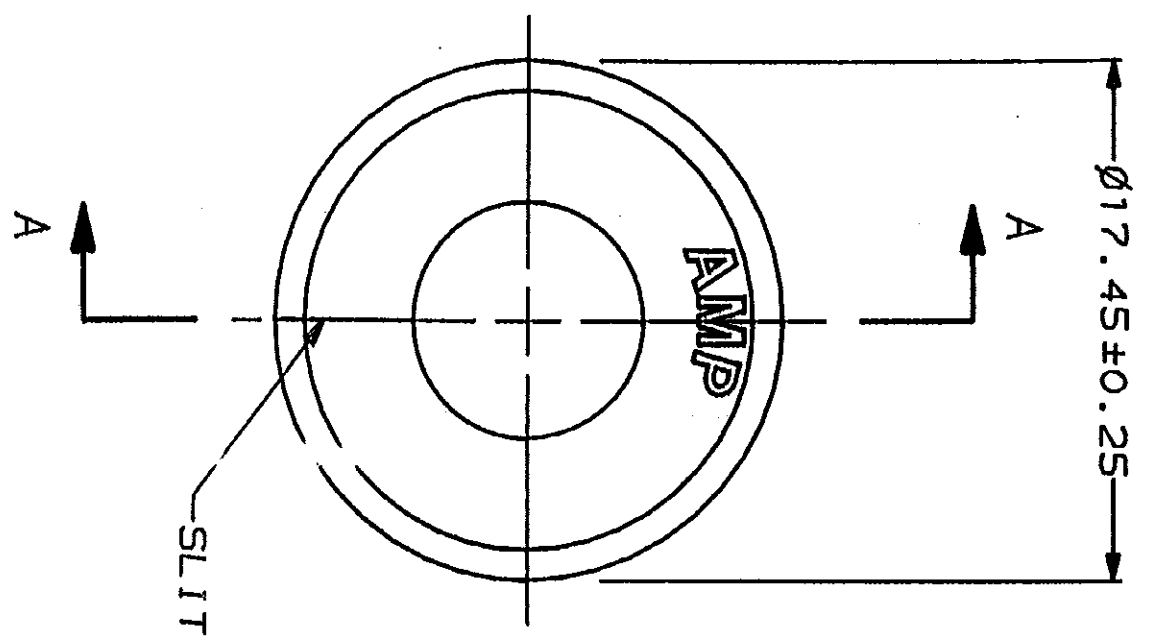


LOC	DIST	REV	DATE	APPD
CM	53		12-6-89	KU/RS

REV	DATE	DESCRIPTION
E	12-6-89	REDWN AND REV PER ECN CM-2599

1. USE WITH STRAIN RELIEF 480594.
 2. MOLDING COMPOUND PVC, FLEXIBLE, 55/75 DUREMETER (B SCALED), BLACK.



3-DIMENSIONAL MODEL
 NTS

	MM	IN	MM	IN	MM	IN
0.38	.015	7.92	.312	-	-	-
0.25	.010	6.35	.250	-	-	-
0.23	.009	1.57	.062	17.45	.687	-
0.13	.005	1.02	.040	14.27	.562	-
0.03	.001	0.64	.025	12.70	.500	-

CONVERSION TABLE



DO NOT SCALE PRINT. UNLESS SPECIFIED DIMENSIONS IN MM CINCHES! TOLERANCES ON: 1 2 PLC DEC ± 0.13 3 PLC DEC ± 1.0°		DR: <i>[Signature]</i> 12-9-89		NAME: AMP INCORPORATED Hartford, Pa. 17105	
MATERIAL: <i>[Symbol]</i>		CHK: <i>[Signature]</i> 12-8-89		GROMMET, SPLIT, M.R.	
FINISH: <i>[Symbol]</i>		APPD: <i>[Signature]</i> 12-11-89		PART NO: 1-380937-0	
APPLICATION SPEC: <i>[Symbol]</i>		PRODUCT SPEC: <i>[Symbol]</i>		SIZE: C	
WEIGHT: <i>[Symbol]</i>		SCALE: 4:1		CAGE CODE: 00779	
				DRAWING NO: 380937	
				SHEET: 1 OF 1	