

THIS DRAWING IS UNPUBLISHED.

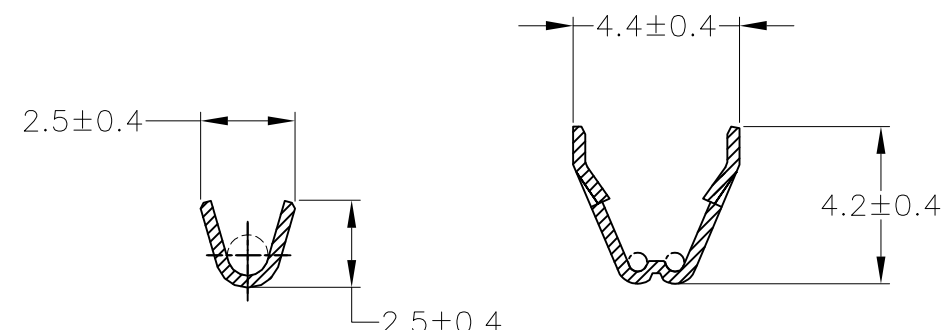
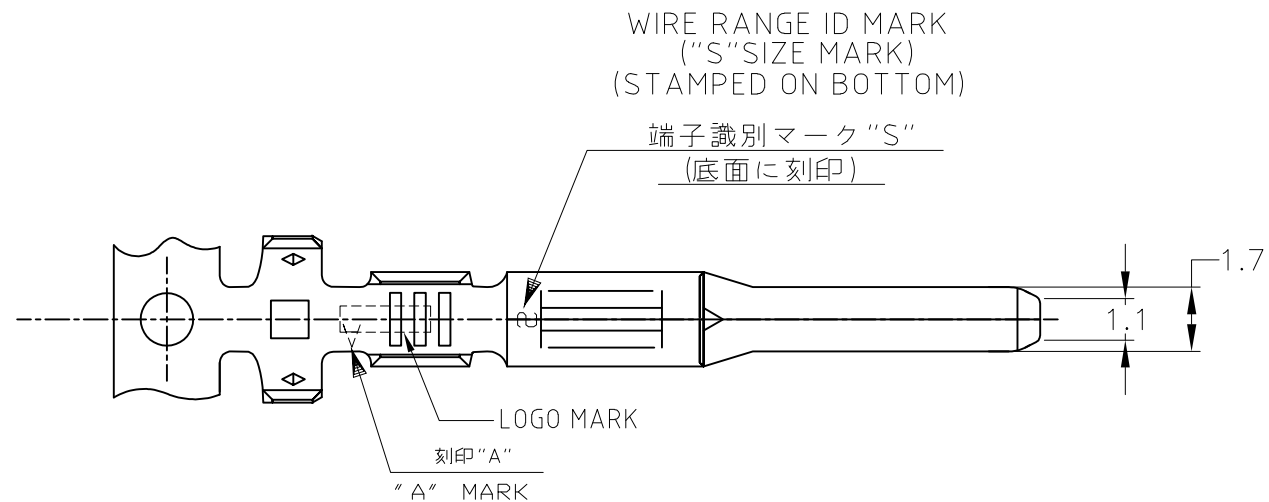
RELEASED FOR PUBLICATION JAN , 2018.

© COPYRIGHT 2018 TE Connectivity

ALL RIGHTS RESERVED.

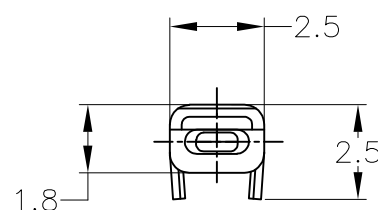
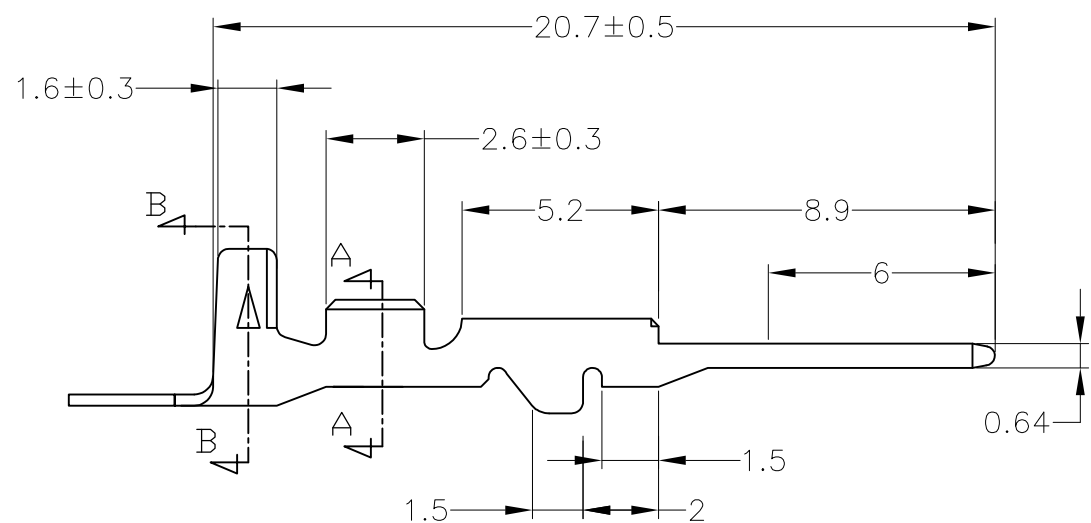
REVISIONS

| P | LTR | DESCRIPTION | DATE | DWN | APVD |
|---|-----|-------------|-----------|-----|------|
| | B | REVISED | 25JAN2018 | YN | TK |



SECT A-A

SECT B-B



1. 製品規格: 108-5264

1. SPEC:108-5264

| | | |
|---------------------|--------------------------|----------------|
| 錫めっき済 PRE-TINNED | 黄銅 板厚0.32 BRASS t0.32 | 175188-1 |
| 仕上 FINISH | 材料 MATERIAL | 型番 PART NUMBER |

THIS DRAWING IS A CONTROLLED DOCUMENT.

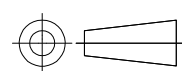
| | | |
|------|-----------|-----------|
| DWN | N.OJIMA | 08JAN1990 |
| CHK | M.OSHIMA | 08JAN1990 |
| APVD | M.NOGUCHI | 08JAN1990 |

STE TE Connectivity Ltd.

| | |
|---|----------------|
| WIRE RANGE | INSULATION DIA |
| AVS 0.2~0.3mm ² (AWG #24-#22) | 1.4~1.9mmφ |

DIMENSIONS:
mm

TOLERANCES UNLESS OTHERWISE SPECIFIED:



| | |
|--------|-----|
| 0 PLC | ± - |
| 1 PLC | ± - |
| 2 PLC | ± - |
| 3 PLC | ± - |
| 4 PLC | ± - |
| ANGLES | ± - |

MATERIAL
SEE TABLE

FINISH
SEE TABLE

| | |
|------------------|-----------|
| PRODUCT SPEC | NAME |
| APPLICATION SPEC | SIZE |
| WEIGHT | CAGE CODE |

| | | | |
|------------------------|---------------|--|--|
| 070 SERIES TAB CONTACT | | | |
| DRAWING NO | RESTRICTED TO | | |
| A300779 | C=175188 | | |

| | | | |
|------------------|-------|--------|-----|
| CUSTOMER DRAWING | SCALE | SHEET | REV |
| | 5:1 | 1 OF 1 | B |