

SSF50 SERIES

COMPACT FLOAT SWITCH WITH INTEGRAL SLOSH GUARD & OPTIONAL CHECK FACILITY



The SSF50 series is a compact vertical float switch with an integral acrylic slosh guard to reduce inadvertent operation in turbulent fluids. The unit can be mounted to a vertical surface or via a U-bolt (not supplied) using the integrated mounting bracket.

The metal components are manufactured from a combination of 316 and 304 grade stainless steels.

The switch action may be reversed by removing the float, inverting and then refitting it to the central stem (tools required).

The unit can be supplied complete with an integral test facility whereby the float can be manually raised to check the operation of the switch.

Features

- Bracket mounted
- Stainless steel 316 & 304
- Compact design
- Temperature up to 80°C
- With or without check facility
- User configurable N/O (make on rise) or N/C (make on fall)

SPECIFICATIONS

Technical

Mounting Style	Mounting bracket included
Cable Size	17/0.16 - AWG22
Float & Stem Material	316 and 304 grade SS
Cable Sheath Material	FEP
Maximum Pressure	Ambient
Float SG	0.7
Cable Length - Standard	100cm
Cable Entry Rating	designed to IP67
SLOSH Shield Material	Acrylic 60mm dia x 4mm
Total Weight (-C version)	335g
Maximum Temperature	80°C
Minimum Fluid SG	0.8

Electrical

Contact Form		N/O (N/C)
Switching Power Max	VA	50
Switching Voltage AC Max	V	240
Switching Voltage DC Max	V	200
Switching Current Max	A	0.5

All ratings are for resistive load only.

STANDARD PARTS

	Description
SSF50X100X	Without check facility
SSF50X100X-C	With check facility

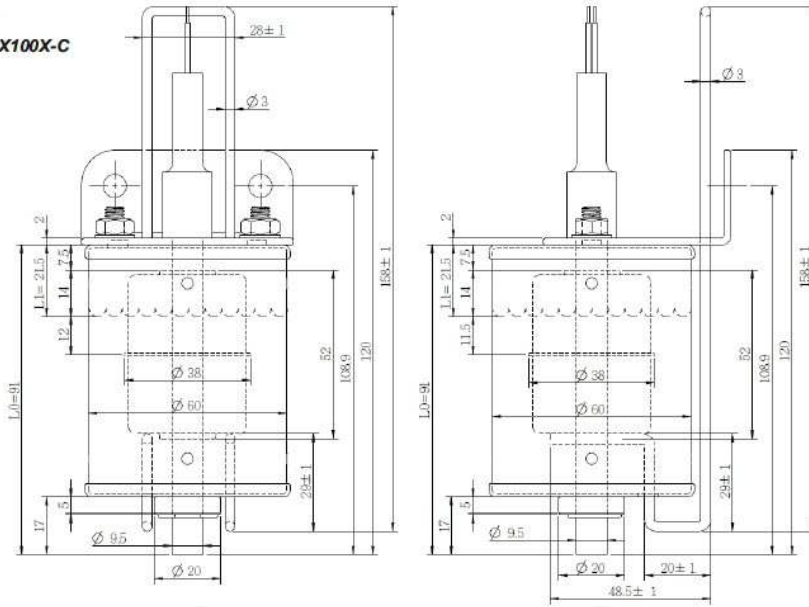
Custom versions can be made for particular applications. Please contact Sensata with your requirements.



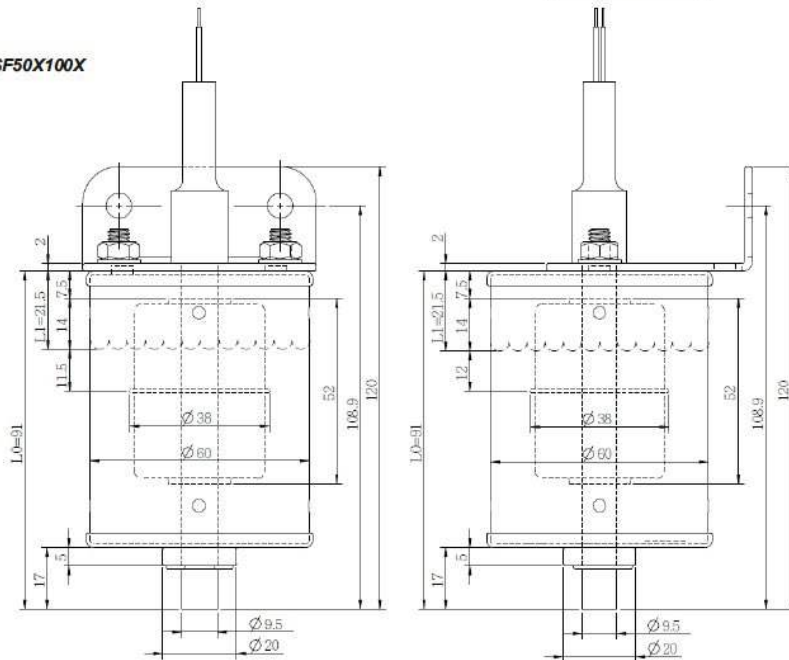
DIMENSIONS

All dimensions are in millimeters.

SSF50X100X-C



SSF50X100X



Made in the UK

Sensata Technologies, Inc. ("Sensata") data sheets are solely intended to assist designers ("Buyers") who are developing systems that incorporate Sensata products (also referred to herein as "components"). Buyer understands and agrees that Buyer remains responsible for using its independent analysis, evaluation and judgment in designing Buyer's systems and products. Sensata data sheets have been created using standard laboratory conditions and engineering practices. Sensata has not conducted any testing other than that specifically described in the published documentation for a particular data sheet. Sensata may make corrections, enhancements, improvements and other changes to its data sheets or components without notice.

Buyers are authorized to use Sensata data sheets with the Sensata component(s) identified in each particular data sheet. HOWEVER, NO OTHER LICENSE, EXPRESS OR IMPLIED, BY ESTOPPEL OR OTHERWISE TO ANY OTHER SENSATA INTELLECTUAL PROPERTY RIGHT, AND NO LICENSE TO ANY THIRD PARTY TECHNOLOGY OR INTELLECTUAL PROPERTY RIGHT, IS GRANTED HEREIN. SENSATA DATA SHEETS ARE PROVIDED "AS IS". SENSATA MAKES NO WARRANTIES OR REPRESENTATIONS WITH REGARD TO THE DATA SHEETS OR USE OF THE DATA SHEETS, EXPRESS, IMPLIED OR STATUTORY, INCLUDING ACCURACY OR COMPLETENESS. SENSATA DISCLAIMS ANY WARRANTY OF TITLE AND ANY IMPLIED WARRANTIES OF MERCHANTABILITY, FITNESS FOR A PARTICULAR PURPOSE, QUIET ENJOYMENT, QUIET POSSESSION, AND NON-INFRINGEMENT OF ANY THIRD PARTY INTELLECTUAL PROPERTY RIGHTS WITH REGARD TO SENSATA DATA SHEETS OR USE THEREOF.

All products are sold subject to Sensata's terms and conditions of sale supplied at www.sensata.com SENSATA ASSUMES NO LIABILITY FOR APPLICATIONS ASSISTANCE OR THE DESIGN OF BUYERS' PRODUCTS. BUYER ACKNOWLEDGES AND AGREES THAT IT IS SOLELY RESPONSIBLE FOR COMPLIANCE WITH ALL LEGAL, REGULATORY AND SAFETY-RELATED REQUIREMENTS CONCERNING ITS PRODUCTS, AND ANY USE OF SENSATA COMPONENTS IN ITS APPLICATIONS, NOTWITHSTANDING ANY APPLICATIONS-RELATED INFORMATION OR SUPPORT THAT MAY BE PROVIDED BY SENSATA.

Mailing Address: Sensata Technologies, Inc., 529 Pleasant Street, Attleboro, MA 02703, USA.

CONTACT US

+44 (0)1202 897969
 c3w_sales@sensata.com
 Cynergy3 Components Ltd.
 7 Cobham Road,
 Ferndown Industrial Estate,
 Wimborne, Dorset,
 BH21 7PE, United Kingdom